

4

3

2

1

THIS DRAWING IS UNPUBLISHED.

RELEASED FOR PUBLICATION

© COPYRIGHT

BY TYCO ELECTRONICS CORPORATION.

ALL RIGHTS RESERVED.

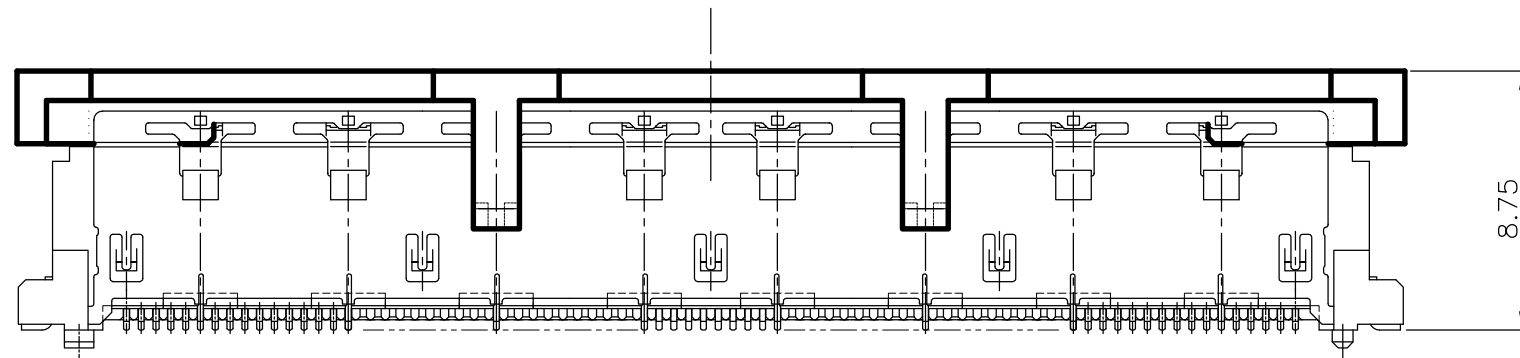
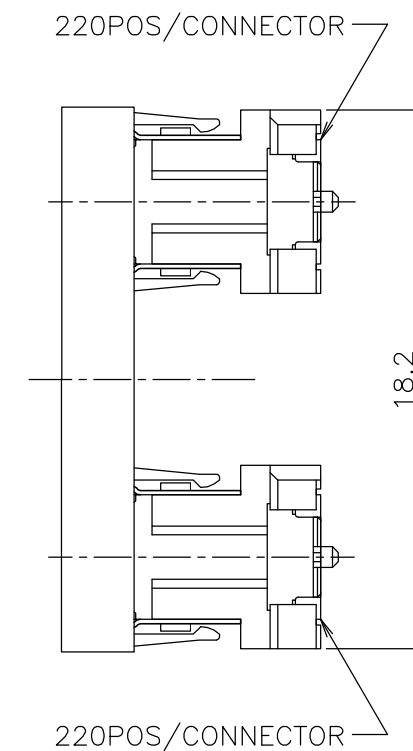
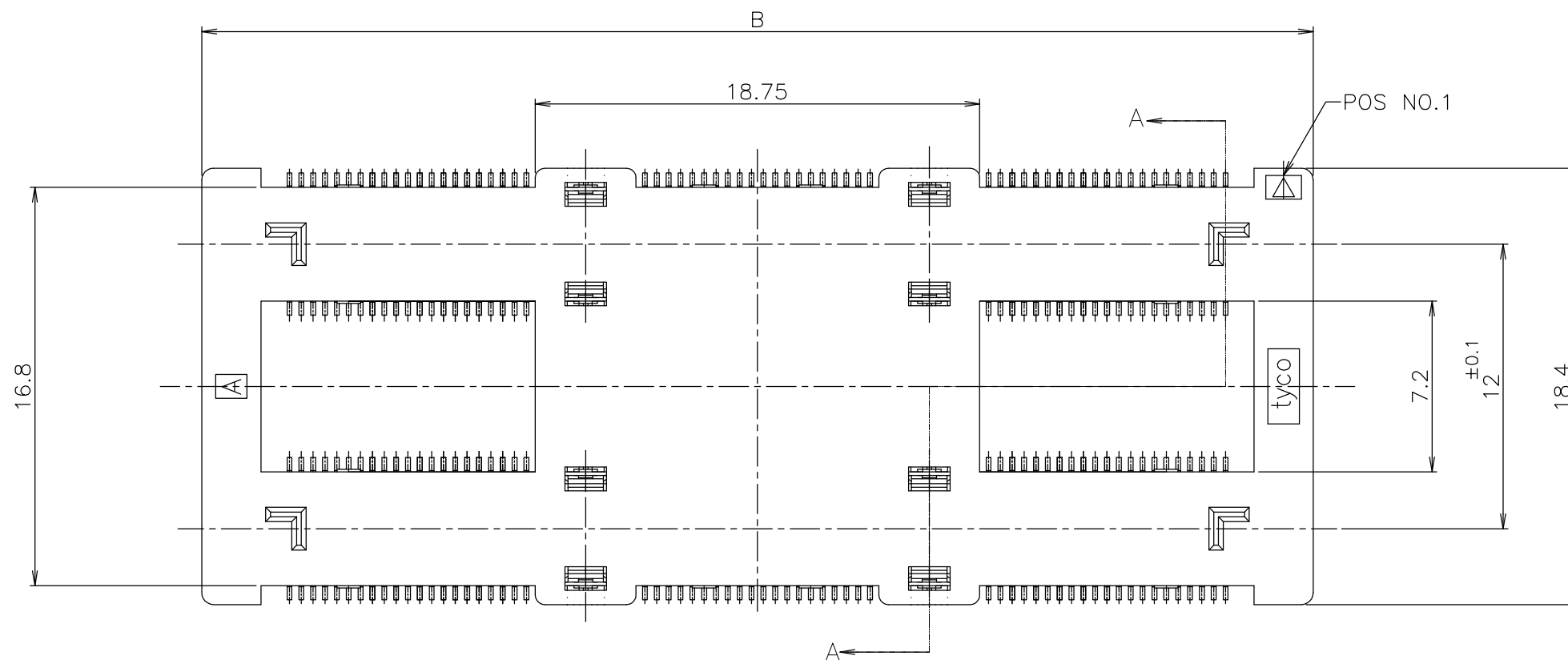
LOC
J

DIST
/

REVISIONS

| P | LTR | DESCRIPTION | DATE | DWN | APVD |
|---|-----|-------------|------|-----|------|
| - | - | SEE SHEET 1 | - | - | - |

CAP SETTING CONDITION OF 3-5353652-6



| | | | |
|-----------|------|-----|-------------|
| BLACK | 61.9 | 440 | 3-5353652-6 |
| CAP COLOR | B | POS | PART NO. |

| | | | | |
|--|--|------------------|--|---------------|
| THIS DRAWING IS A CONTROLLED DOCUMENT. | | DWN | Tyco Electronics Corporation Kawasaki, Japan | |
| DIMENSIONS: MM | | CHK | NAME HARD TRAY ASSY FH 0.5BTB CONNECTOR PLUG 8H W/G-PLATE ON 2ROW CAP | |
| TOLERANCES UNLESS OTHERWISE SPECIFIED: 0 PLC ± 0.3 1 PLC ± 0.3 2 PLC ± 0.3 3 PLC ± 0.3 4 PLC ± 0.3 ANGLES ± 3' | | APVD | PRODUCT SPEC | RESTRICTED TO |
| MATERIAL | | APPLICATION SPEC | SIZE | CAGE CODE |
| FINISH | | WEIGHT | A3 | 00779 |
| | | CUSTOMER DRAWING | DRAWING NO G-5353652 | |
| | | | SCALE | SHEET |
| | | | 4:1 | 2 OF 8 |
| | | | | REV B1 |

4

3

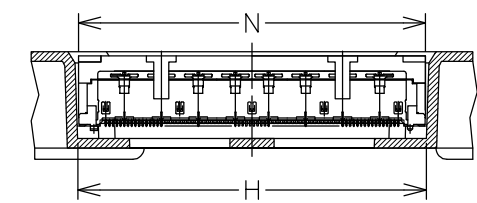
2

1

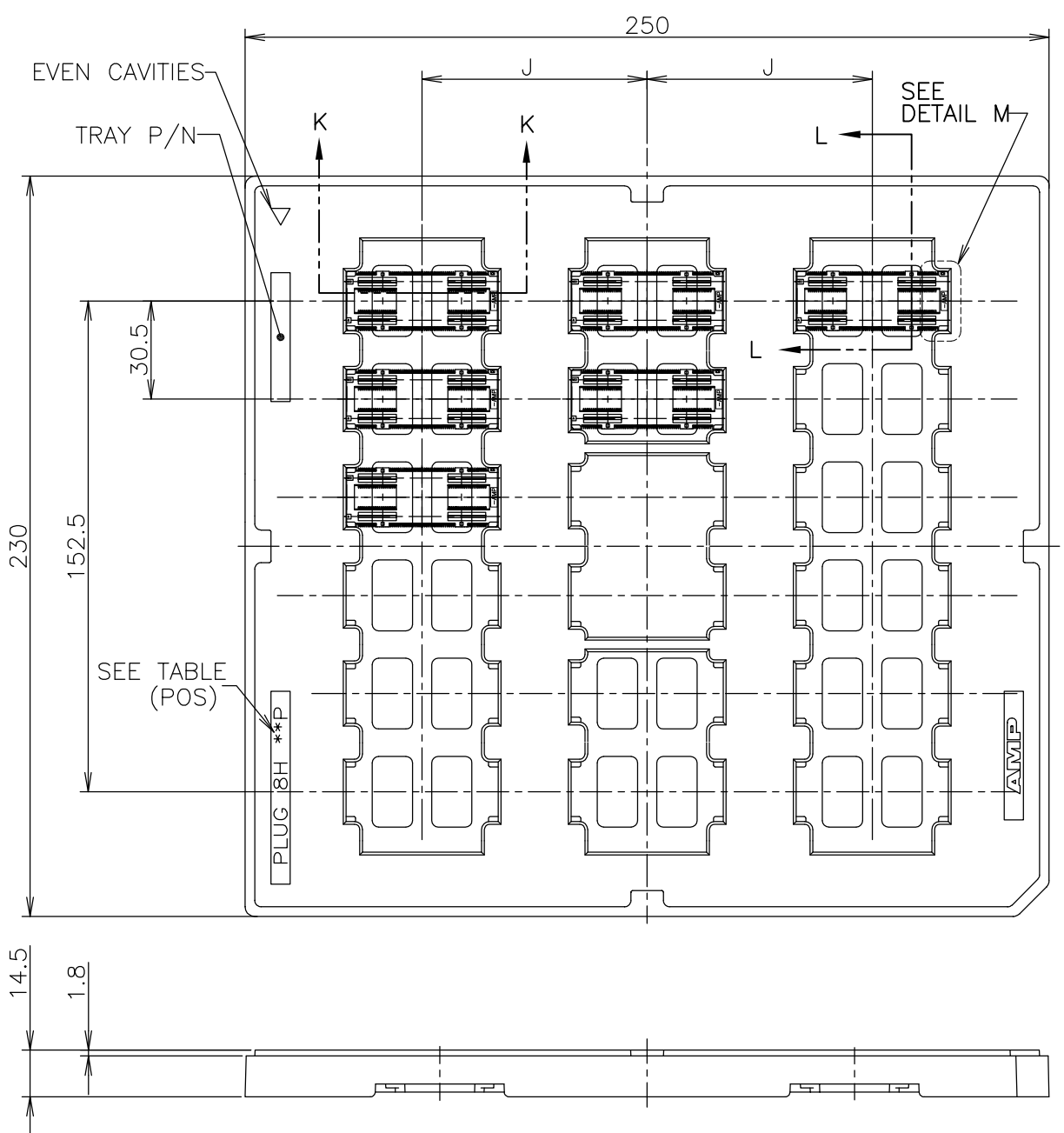
THIS DRAWING IS UNPUBLISHED. RELEASED FOR PUBLICATION
 © COPYRIGHT BY TYCO ELECTRONICS CORPORATION. ALL RIGHTS RESERVED.

| LOC | DIST | REVISIONS | | | |
|-----|------|-------------|------|-----|------|
| P | LTR | DESCRIPTION | DATE | DWN | APVD |
| J | / | SEE SHEET 1 | - | - | - |

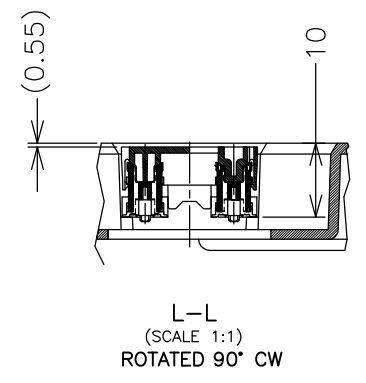
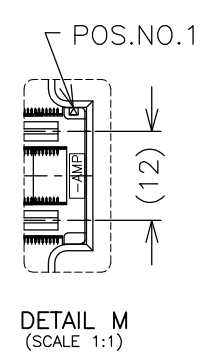
6-5353652-2:AS SHOWN
 1-5353652-2:AS SHOWN



K-K
(SCALE 1:1)



| SEALANT TOOLING | ROW | QTY | J | H | N | POS. | TRAY P/N | ON CAP CONN P/N | PART NO. | |
|-----------------|-----|-----|---|------|------|------|------------|-----------------|-------------|-------|
| NOT ABAILABLE | 3 | 18 | ↑ | 66.8 | 66.9 | 480 | . | 6-5353620-7 | 6-5353652-7 | |
| ↑ | ↑ | ↑ | ↑ | 61.8 | 61.9 | 440 | . | 6-↑-6 | 6-↑-6 | |
| ↓ | ↓ | ↓ | ↓ | 75 | 56.8 | 56.9 | 400 | . | 6-↓-5 | 6-↓-5 |
| ↓ | ↓ | ↓ | ↓ | 70 | 51.8 | 51.9 | 360 | . | 6-↓-4 | 6-↓-4 |
| NOT ABAILABLE | 3 | 18 | ↑ | 49.3 | 49.4 | 340 | . | 6-5353620-3 | 6-5353652-3 | |
| ↑ | ↑ | ↑ | ↑ | 46.8 | 46.9 | 320 | 7-912066-6 | 6-5353620-2 | 6-5353652-2 | |
| NOT ABAILABLE | 5 | 30 | ↓ | 44.3 | 44.4 | 300 | . | 6-5353620-1 | 6-5353652-1 | |
| ↓ | ↓ | ↓ | ↓ | 41.8 | 41.9 | 280 | . | 6-↑-0 | 6-↑-0 | |
| ↑ | ↑ | ↑ | ↑ | 3 | 36.8 | 36.9 | 240 | . | 5-↑-9 | 5-↑-9 |
| ↑ | ↑ | ↑ | ↑ | 5 | 31.8 | 31.9 | 200 | . | 5-↑-8 | 5-↑-8 |
| ↑ | ↑ | ↑ | ↑ | 29.3 | 29.4 | 180 | . | 5-↑-7 | 5-↑-7 | |
| ↑ | ↑ | ↑ | ↑ | 26.8 | 26.9 | 160 | . | 5-↑-6 | 5-↑-6 | |
| ↑ | ↑ | ↑ | ↑ | 24.3 | 24.4 | 140 | . | 5-↑-5 | 5-↑-5 | |
| ↑ | ↑ | ↑ | ↑ | 21.8 | 21.9 | 120 | . | 5-↑-4 | 5-↑-4 | |
| ↑ | ↑ | ↑ | ↑ | 19.3 | 19.4 | 100 | . | 5-↑-3 | 5-↑-3 | |
| ↑ | ↑ | ↑ | ↑ | 16.8 | 16.9 | 80 | . | 5-↑-2 | 5-↑-2 | |
| NOT ABAILABLE | 5 | 30 | ↓ | 14.3 | 14.4 | 60 | . | 5-5353620-1 | 5-5353652-1 | |
| NOT ABAILABLE | 3 | 18 | ↑ | 66.8 | 66.9 | 480 | . | 1-5353620-7 | 1-5353652-7 | |
| ↑ | ↑ | ↑ | ↑ | 61.8 | 61.9 | 440 | . | 1-↑-6 | 1-↑-6 | |
| ↓ | ↓ | ↓ | ↓ | 75 | 56.8 | 56.9 | 400 | . | 1-↓-5 | 1-↓-5 |
| ↓ | ↓ | ↓ | ↓ | 70 | 51.8 | 51.9 | 360 | . | 1-↓-4 | 1-↓-4 |
| NOT ABAILABLE | 3 | 18 | ↑ | 49.3 | 49.4 | 340 | . | 1-5353620-3 | 1-5353652-3 | |
| ↑ | ↑ | ↑ | ↑ | 46.8 | 46.9 | 320 | 7-912066-6 | 1-5353620-2 | 1-5353652-2 | |
| NOT ABAILABLE | 5 | 30 | ↓ | 44.3 | 44.4 | 300 | . | 1-5353620-1 | 1-5353652-1 | |
| ↓ | ↓ | ↓ | ↓ | 41.8 | 41.9 | 280 | . | 1-↑-0 | 1-↑-0 | |
| ↑ | ↑ | ↑ | ↑ | 3 | 36.8 | 36.9 | 240 | . | ↑-9 | ↑-9 |
| ↑ | ↑ | ↑ | ↑ | 5 | 31.8 | 31.9 | 200 | . | ↑-8 | ↑-8 |
| ↑ | ↑ | ↑ | ↑ | 29.3 | 29.4 | 180 | . | ↑-7 | ↑-7 | |
| ↑ | ↑ | ↑ | ↑ | 26.8 | 26.9 | 160 | . | ↑-6 | ↑-6 | |
| ↑ | ↑ | ↑ | ↑ | 24.3 | 24.4 | 140 | . | ↑-5 | ↑-5 | |
| ↑ | ↑ | ↑ | ↑ | 21.8 | 21.9 | 120 | . | ↑-4 | ↑-4 | |
| ↑ | ↑ | ↑ | ↑ | 19.3 | 19.4 | 100 | . | ↑-3 | ↑-3 | |
| ↑ | ↑ | ↑ | ↑ | 16.8 | 16.9 | 80 | . | ↑-2 | ↑-2 | |
| NOT ABAILABLE | 5 | 30 | ↓ | 14.3 | 14.4 | 60 | . | 5353620-1 | 5353652-1 | |



THIS DRAWING IS A CONTROLLED DOCUMENT.

| | | | |
|----------------|--|------------------|--|
| DIMENSIONS: MM | TOLERANCES UNLESS OTHERWISE SPECIFIED: 0 PLC ± 0.3 1 PLC ± 0.3 2 PLC ± 0.3 3 PLC ± 0.3 4 PLC ± 0.3 ANGLES ± 3' | DWN | Tyco Electronics Corporation Kawasaki, Japan |
| MATERIAL | FINISH | CHK | NAME |
| | | APVD | HARD TRAY ASSY FH 0.5BTB CONNECTOR PLUG 8H W/G-PLATE ON 2ROW CAP |
| | | PRODUCT SPEC | SIZE |
| | | APPLICATION SPEC | CAGE CODE |
| | | WEIGHT | DRAWING NO |
| | | | RESTRICTED TO |
| | | CUSTOMER DRAWING | A3 00779 C-5353652 |
| | | | SCALE 1:2 SHEET 3 OF 8 REV B1 |

4

3

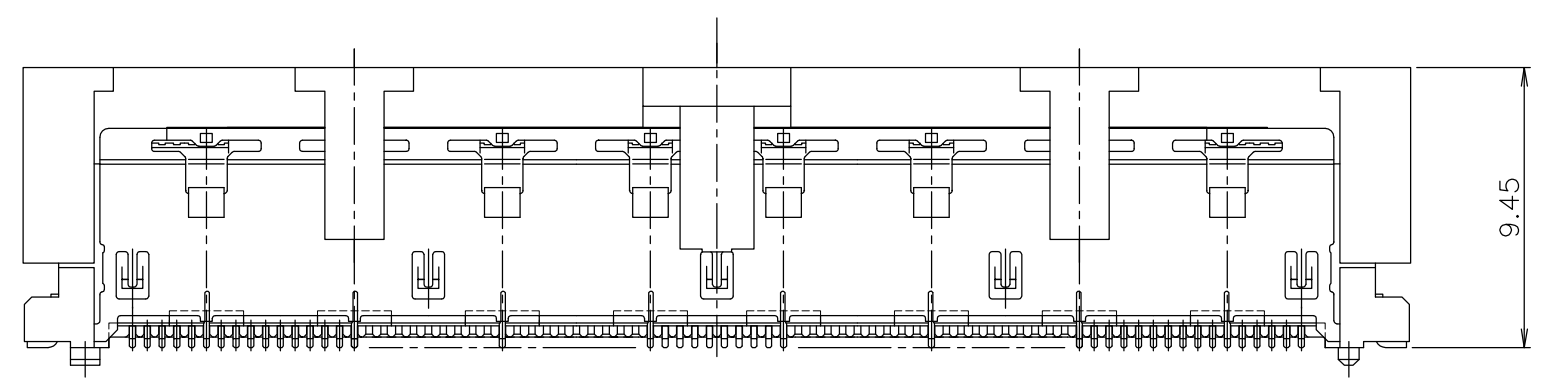
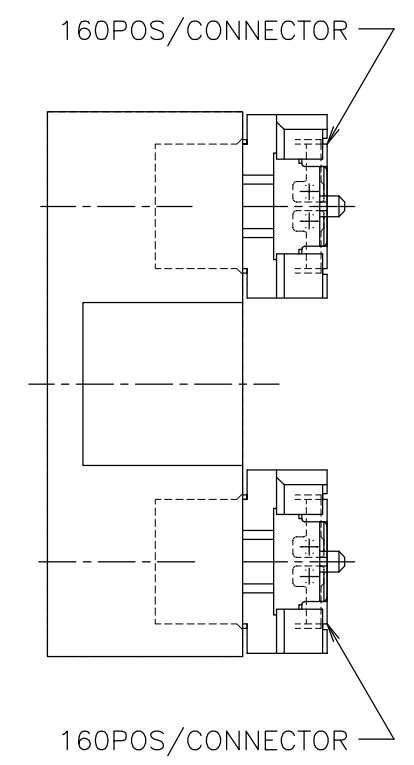
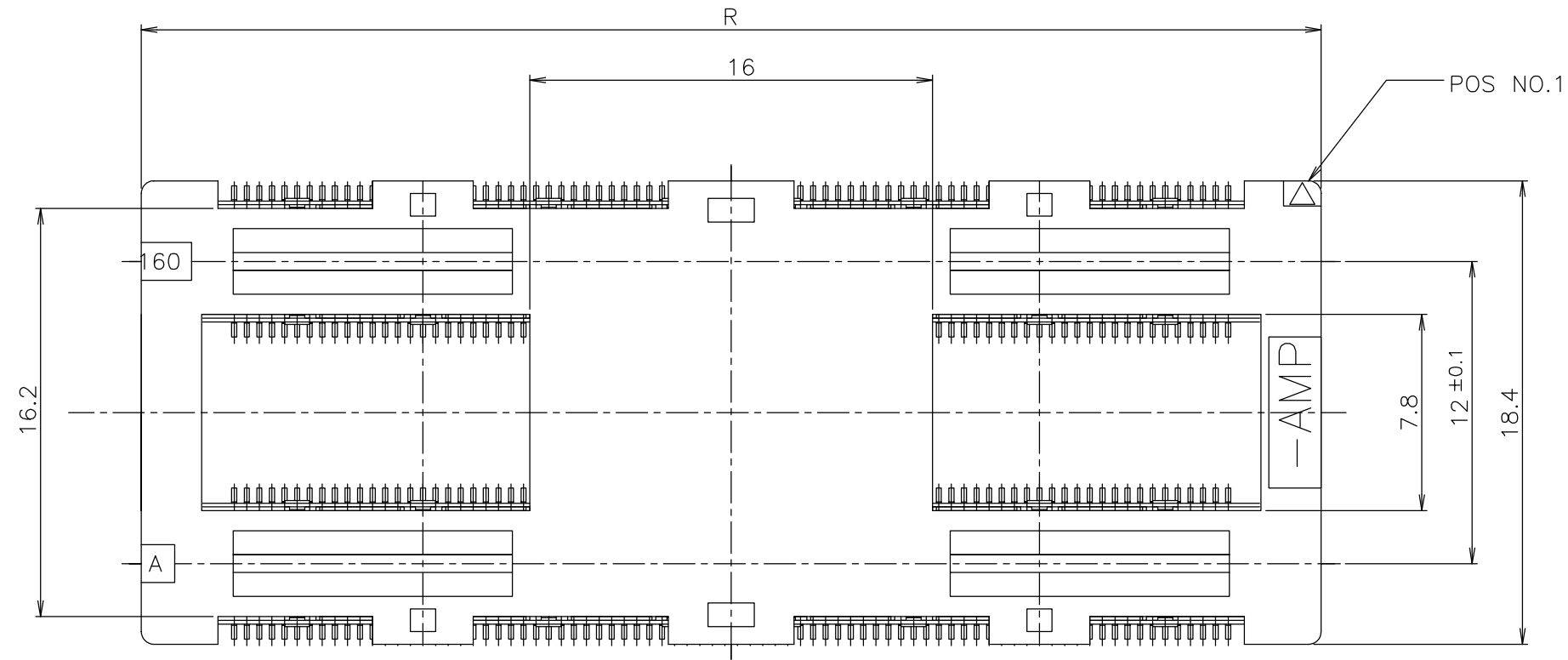
2

1

THIS DRAWING IS UNPUBLISHED. RELEASED FOR PUBLICATION
 © COPYRIGHT BY TYCO ELECTRONICS CORPORATION. ALL RIGHTS RESERVED.

| LOC | DIST | REVISIONS | | | |
|-----|------|-------------|------|-----|------|
| P | LTR | DESCRIPTION | DATE | DWN | APVD |
| J | / | SEE SHEET 1 | - | - | - |

CAP SETTING CONDITION OF 1-5353652-2 & 6-5353652-2



| | | | | |
|---------|-----------|------|-----|-------------|
| YES | NATURAL | 46.9 | 320 | 6-5353652-2 |
| NO | NATURAL | 46.9 | 320 | 1-5353652-2 |
| SEALANT | CAP COLOR | R | POS | PART NO. |

| | | | | | |
|--|--|---|--|--|---------------|
| THIS DRAWING IS A CONTROLLED DOCUMENT. | | DWN | | Tyco Electronics Tyco Electronics Corporation Kawasaki, Japan | |
| DIMENSIONS: MM | | TOLERANCES UNLESS OTHERWISE SPECIFIED: | | NAME | |
| <ul style="list-style-type: none"> 0 PLC ± 0.3 1 PLC ± 0.3 2 PLC ± 0.3 3 PLC ± 0.3 4 PLC ± 0.3 ANGLES ± 3' | | <ul style="list-style-type: none"> CHK APVD PRODUCT SPEC APPLICATION SPEC WEIGHT | | HARD TRAY ASSY FH 0.5BTB CONNECTOR PLUG 8H W/G-PLATE ON 2ROW CAP | |
| MATERIAL | | FINISH | | SIZE | RESTRICTED TO |
| | | | | A3 | |
| | | | | CAGE CODE | DRAWING NO |
| | | | | 00779 | C-5353652 |
| CUSTOMER DRAWING | | | | SCALE | SHEET |
| | | | | 4:1 | 4 OF 8 |
| | | | | REV | B1 |

4

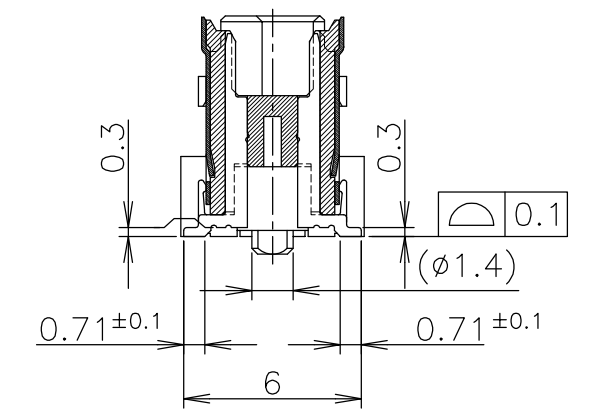
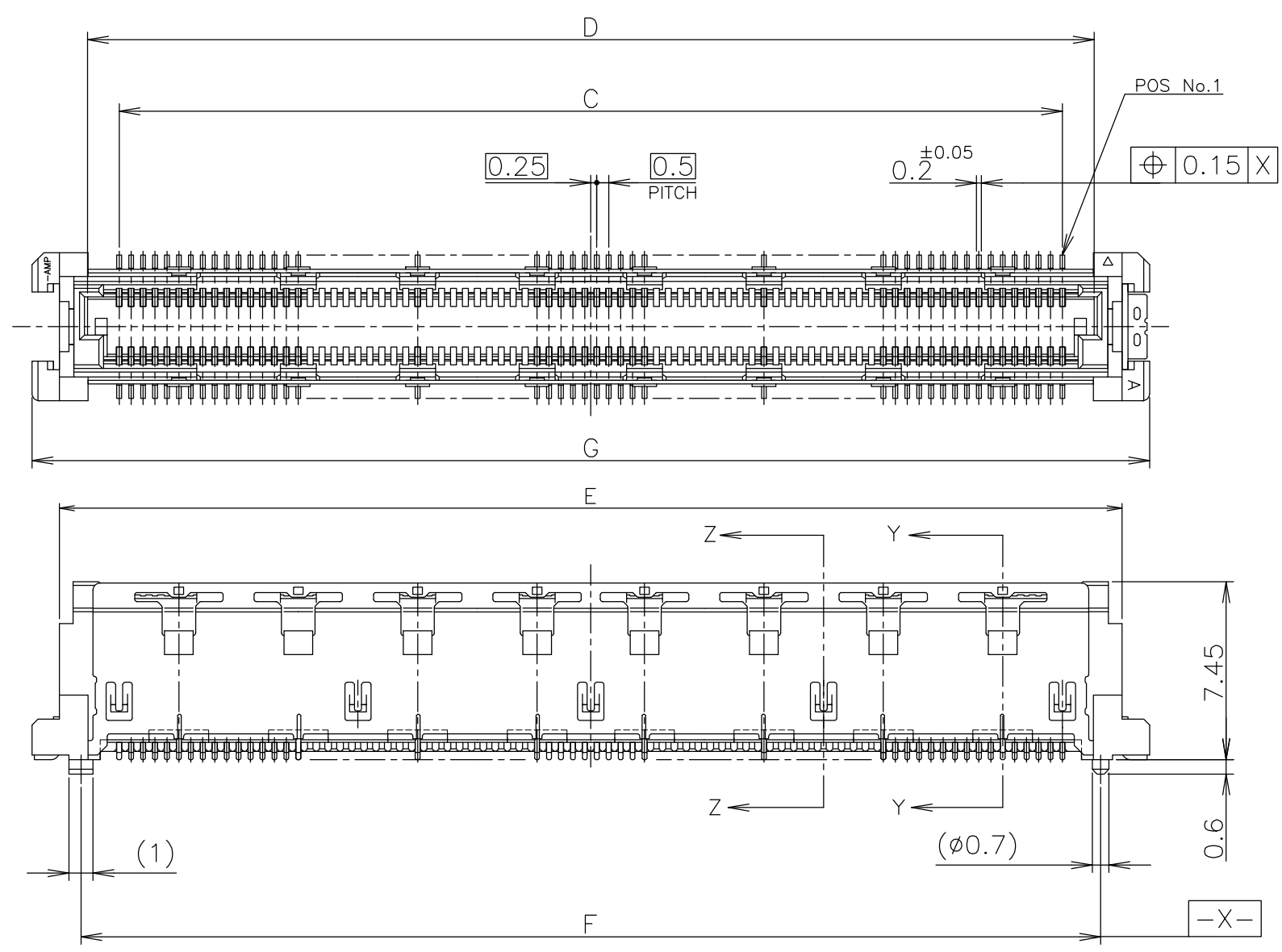
3

2

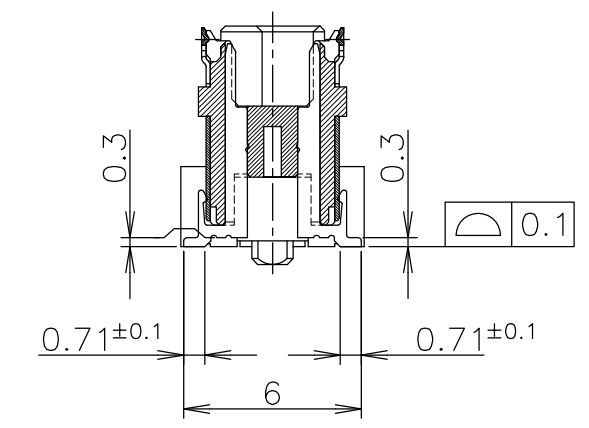
1

THIS DRAWING IS UNPUBLISHED. RELEASED FOR PUBLICATION
 © COPYRIGHT BY TYCO ELECTRONICS CORPORATION. ALL RIGHTS RESERVED.

| LOC | DIST | REVISIONS | | | |
|-----|------|-------------|------|-----|------|
| P | LTR | DESCRIPTION | DATE | DWN | APVD |
| J | / | SEE SHEET 1 | - | - | - |



SECT. Z-Z
(SIGNAL POSITION)



SECT. Y-Y
(GROUND POSITION)

- ① MATERIAL ; HOUSING : HIGH TEMP THERMO PLASTIC UL94V-0
CONTACT : COPPER ALLOY
SOLDER PEG : COPPER ALLOY
- ② FINISH ; SIGNAL CONTACT : UNDER PL Ni 0.0013mm MIN ALL OVER.
CONTACT AREA 0.0002mm MIN Au PL.
SOLDERING AREA 0.001mm MIN TIN PL.
GROUND CONTACT : UNDER PL Ni 0.0013mm MIN ALL OVER.
CONTACT AREA 0.0002mm MIN Au PL.
SOLDERING AREA 0.001mm MIN TIN PL.
SOLDER PEG : 0.001mm MIN TIN PL. OVER
0.0013mm MIN Ni PL ALL OVER.
- ③ THIS POSITION IS GROUND CIRCUIT.
- ④ THIS PRODUCT IS COATED BY FLUX-PENETRATION-INHIDITING AGENT.

| | | | | |
|--|--|------------------|---|---------------|
| THIS DRAWING IS A CONTROLLED DOCUMENT. | | DWN | Tyco Electronics | |
| DIMENSIONS: MM | | CHK | Tyco Electronics Corporation Kawasaki, Japan | |
| TOLERANCES UNLESS OTHERWISE SPECIFIED: | | APVD | NAME | |
| 0 PLC ± 0.3 | | PRODUCT SPEC | HARD TRAY ASSY | |
| 1 PLC ± 0.3 | | APPLICATION SPEC | FH 0.5BTB CONNECTOR | |
| 2 PLC ± 0.3 | | WEIGHT | PLUG 8H W/G-PLATE ON 2ROW CAP | |
| 3 PLC ± 0.3 | | CUSTOMER DRAWING | SIZE | CAGE CODE |
| 4 PLC ± 0.3 | | | A3 | 00779 |
| ANGLES ± 3' | | | DRAWING NO | RESTRICTED TO |
| MATERIAL ① | | | G-5353652 | |
| FINISH ② | | | SCALE | SHEET |
| | | | 4:1 | 5 OF 8 |
| | | | REV | B1 |

| | | | | | | | |
|------|------|------|------|------|-----------------------|-----------|-------------|
| 46.8 | 42.7 | 44.5 | 42.1 | 39.5 | 160 | NATURAL | 6-5353652-2 |
| 46.8 | 42.7 | 44.5 | 42.1 | 39.5 | 160 | NATURAL | 1-5353652-2 |
| 61.8 | 57.7 | 59.5 | 57.1 | 54.5 | 220 | BLACK | 3-5353652-6 |
| G | F | E | D | C | POS OF EACH CONNECTOR | HSG COLOR | PART NO. |

4

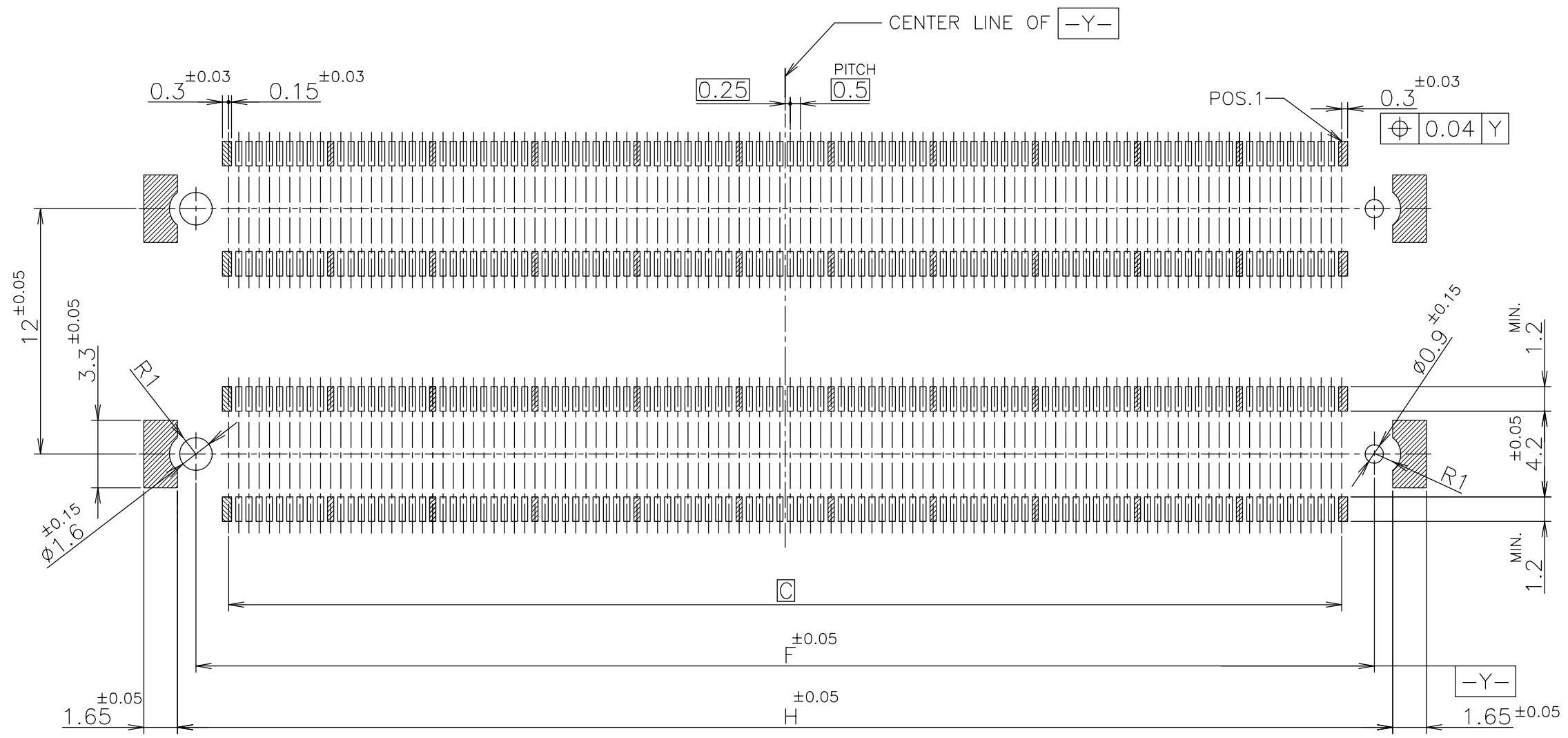
3

2

1

THIS DRAWING IS UNPUBLISHED. RELEASED FOR PUBLICATION
 © COPYRIGHT BY TYCO ELECTRONICS CORPORATION. ALL RIGHTS RESERVED.

| LOC | DIST | REVISIONS | | | | | |
|-----|------|-----------|-----|-------------|------|-----|------|
| J | | P | LTR | DESCRIPTION | DATE | DWN | APVD |
| | | - | - | SEE SHEET 1 | - | - | - |



REFERENCE P.C. BOARD LAYOUT

| | | | |
|------|------|-----|-------------|
| 44.5 | 42.7 | 320 | 6-5353652-2 |
| 44.5 | 42.7 | 320 | 1-5353652-2 |
| 59.5 | 57.7 | 440 | 3-5353652-6 |
| H | F | POS | PART NO. |

| | | | | |
|--|--|------------------|--|--|
| THIS DRAWING IS A CONTROLLED DOCUMENT. | | DWN | Tyco Electronics Tyco Electronics Corporation Kawasaki, Japan | |
| DIMENSIONS: MM | | CHK | NAME HARD TRAY ASSY FH 0.5BTB CONNECTOR PLUG 8H W/G-PLATE ON 2ROW CAP | |
| TOLERANCES UNLESS OTHERWISE SPECIFIED: 0 PLC ± 0.3 1 PLC ± 0.3 2 PLC ± 0.3 3 PLC ± 0.3 4 PLC ± 0.3 ANGLES ± 3° | | APVD | SIZE CAGE CODE DRAWING NO RESTRICTED TO A3 00779 C-5353652 | |
| MATERIAL | | PRODUCT SPEC | SCALE SHEET OF REV 4:1 6 OF 8 B1 | |
| FINISH | | APPLICATION SPEC | CUSTOMER DRAWING | |
| | | WEIGHT | | |

4

3

2

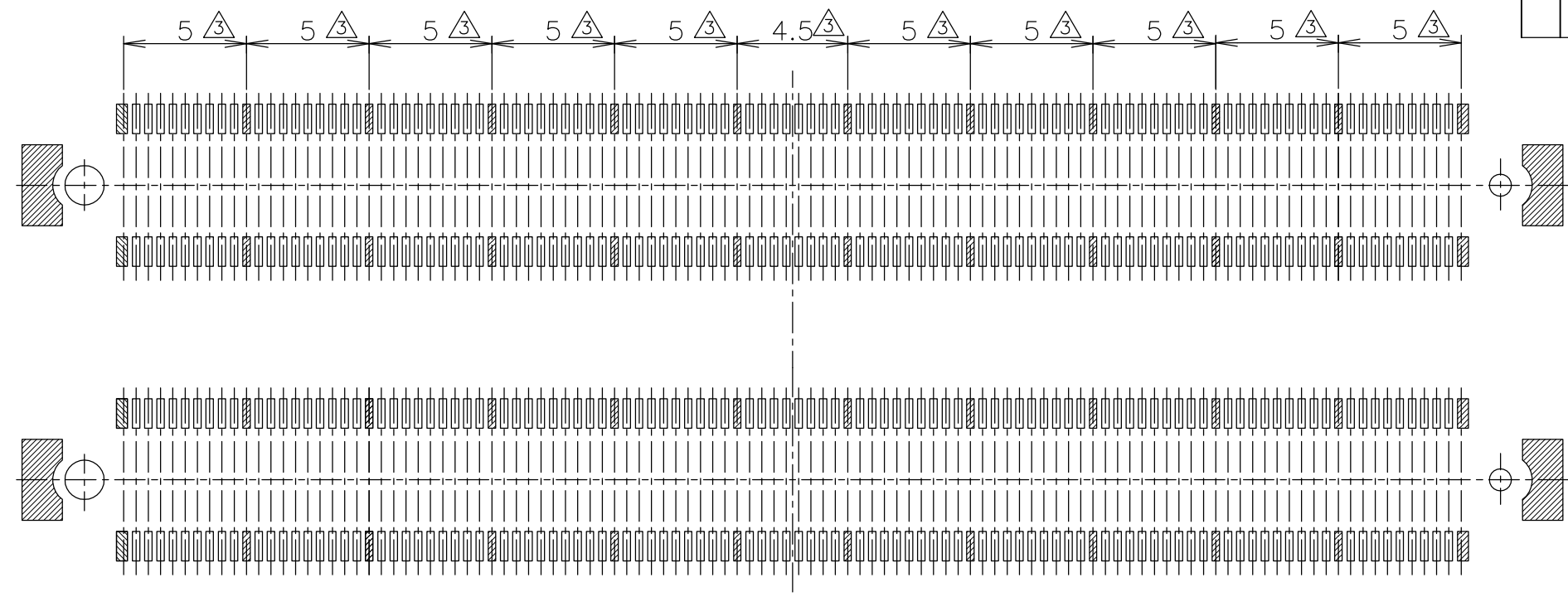
1

THIS DRAWING IS UNPUBLISHED. RELEASED FOR PUBLICATION
 © COPYRIGHT BY TYCO ELECTRONICS CORPORATION. ALL RIGHTS RESERVED.

| | | | | | | | |
|-----|------|-----------|-----|-------------|------|-----|------|
| LOC | DIST | REVISIONS | | | | | |
| J | | P | LTR | DESCRIPTION | DATE | DWN | APVD |
| | | - | | SEE SHEET 1 | - | - | - |

D

D



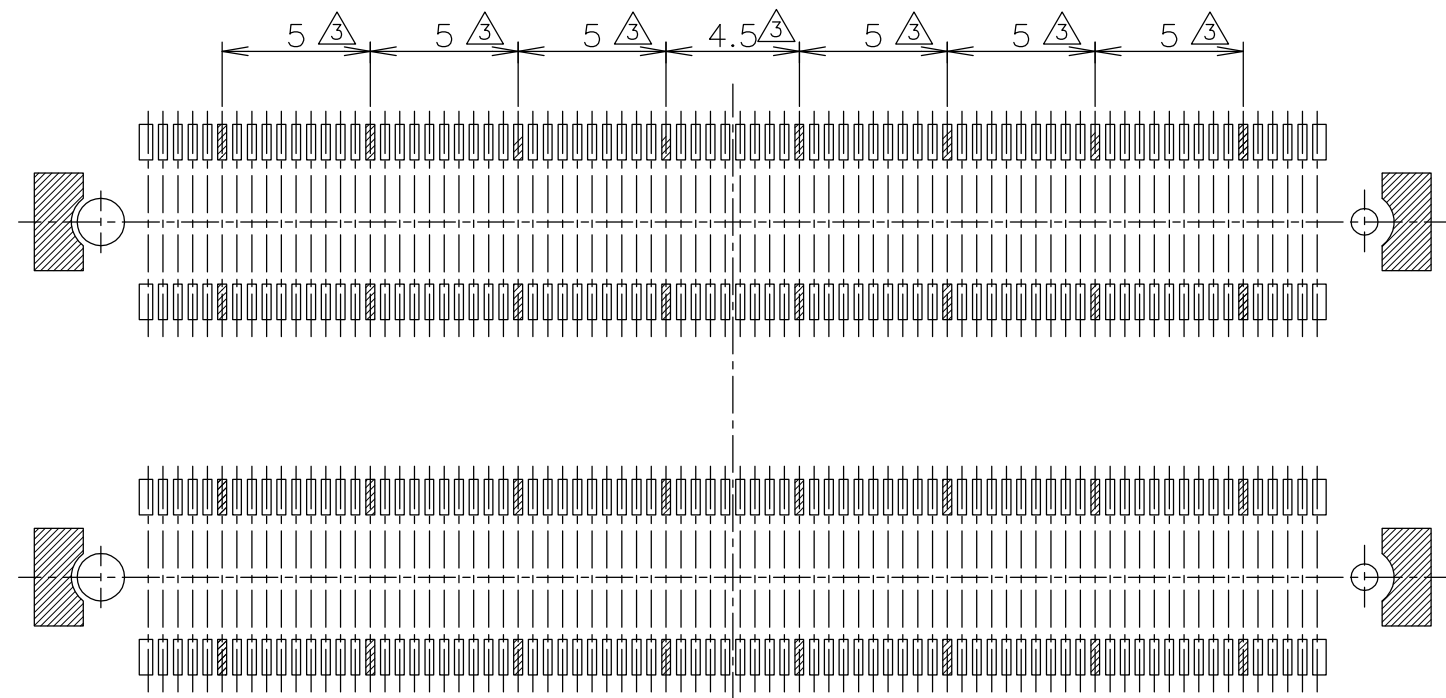
440P

C

C

B

B



320P

A

A

P.C. BOARD LAYOUT

| | | | | | |
|--|--|--|--|--|--|
| THIS DRAWING IS A CONTROLLED DOCUMENT. | | DWN | | Tyco Electronics Tyco Electronics Corporation Kawasaki, Japan | |
| DIMENSIONS: MM | | TOLERANCES UNLESS OTHERWISE SPECIFIED: | | NAME | |
| | | 0 PLC ± 0.3 | | HARD TRAY ASSY | |
| | | 1 PLC ± 0.3 | | FH 0.5BTB CONNECTOR | |
| MATERIAL | | 2 PLC ± 0.3 | | PLUG 8H W/G-PLATE ON 2ROW CAP | |
| | | 3 PLC ± 0.3 | | SIZE CAGE CODE DRAWING NO RESTRICTED TO | |
| FINISH | | 4 PLC ± 0.3 | | A3 00779 C-5353652 | |
| | | ANGLES ± 3° | | CUSTOMER DRAWING SCALE 4:1 SHEET 7 OF 8 REV B1 | |
| | | APVD | | | |
| | | PRODUCT SPEC | | | |
| | | APPLICATION SPEC | | | |
| | | WEIGHT | | | |

4

3

2

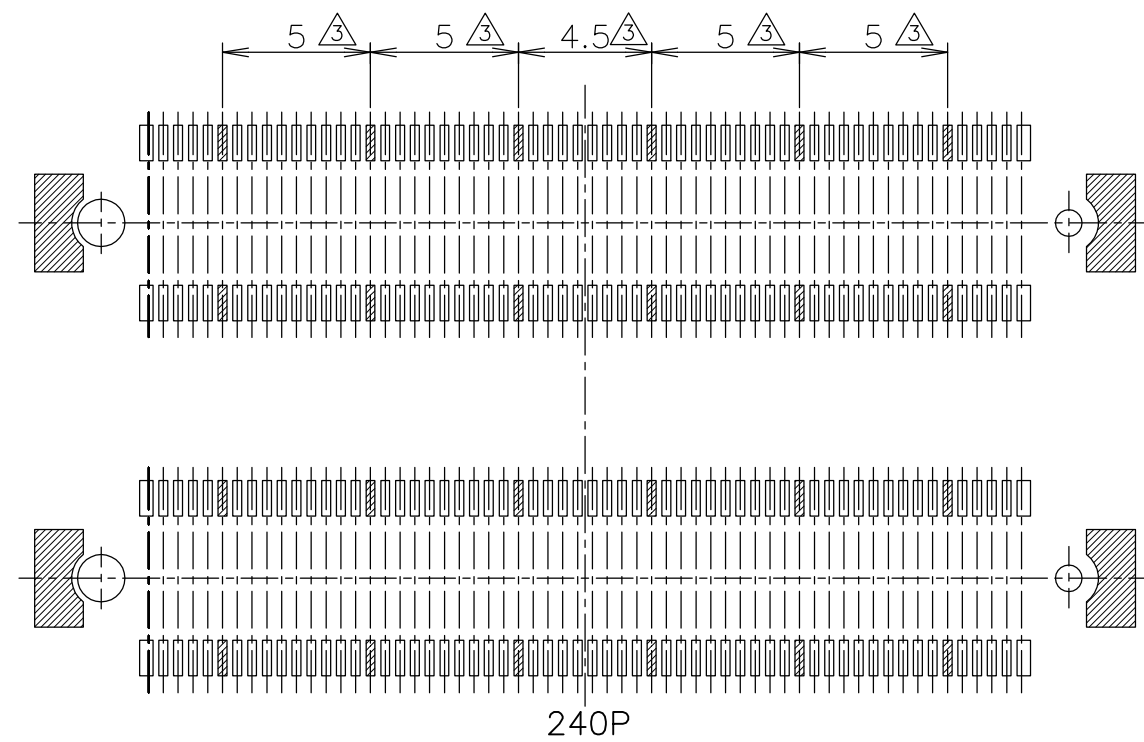
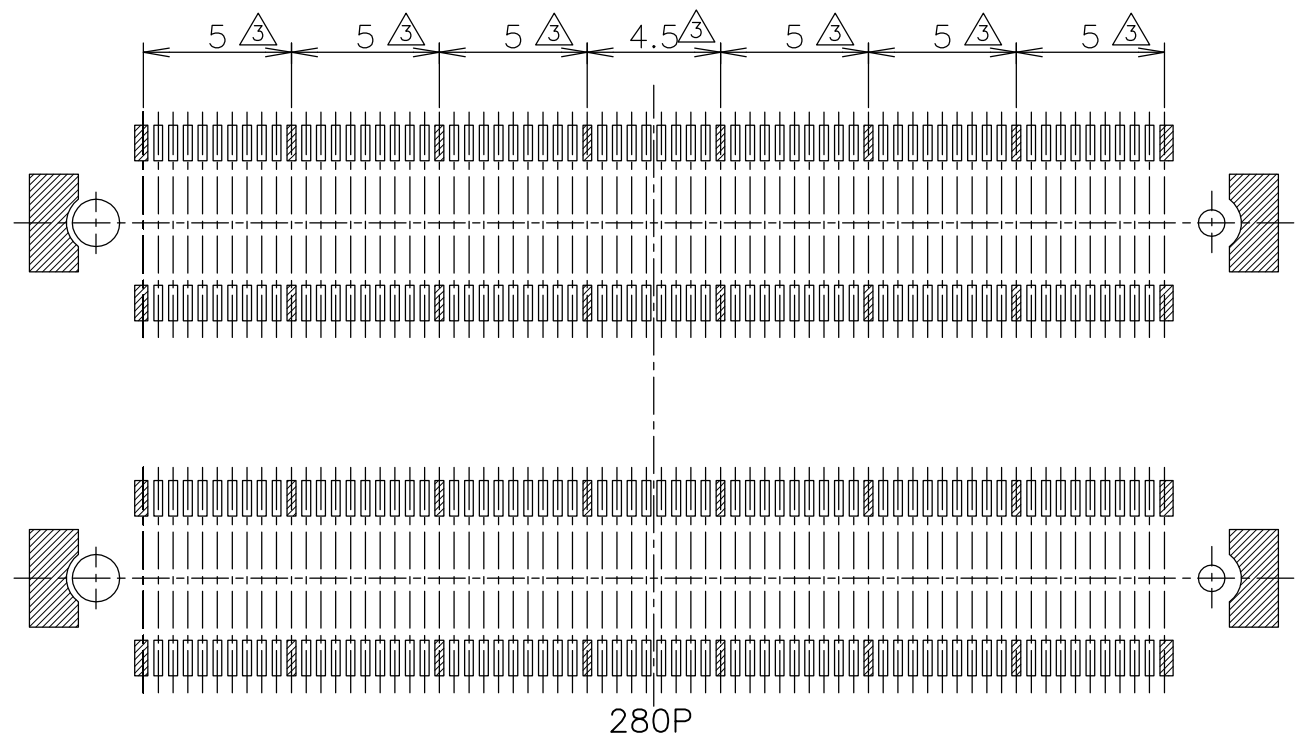
1

THIS DRAWING IS UNPUBLISHED. RELEASED FOR PUBLICATION
 © COPYRIGHT BY TYCO ELECTRONICS CORPORATION. ALL RIGHTS RESERVED.

| LOC | DIST | REVISIONS | | | | | |
|-----|------|-----------|-----|-------------|------|-----|------|
| J | | P | LTR | DESCRIPTION | DATE | DWN | APVD |
| | | - | | SEE SHEET 1 | - | - | - |

D

D

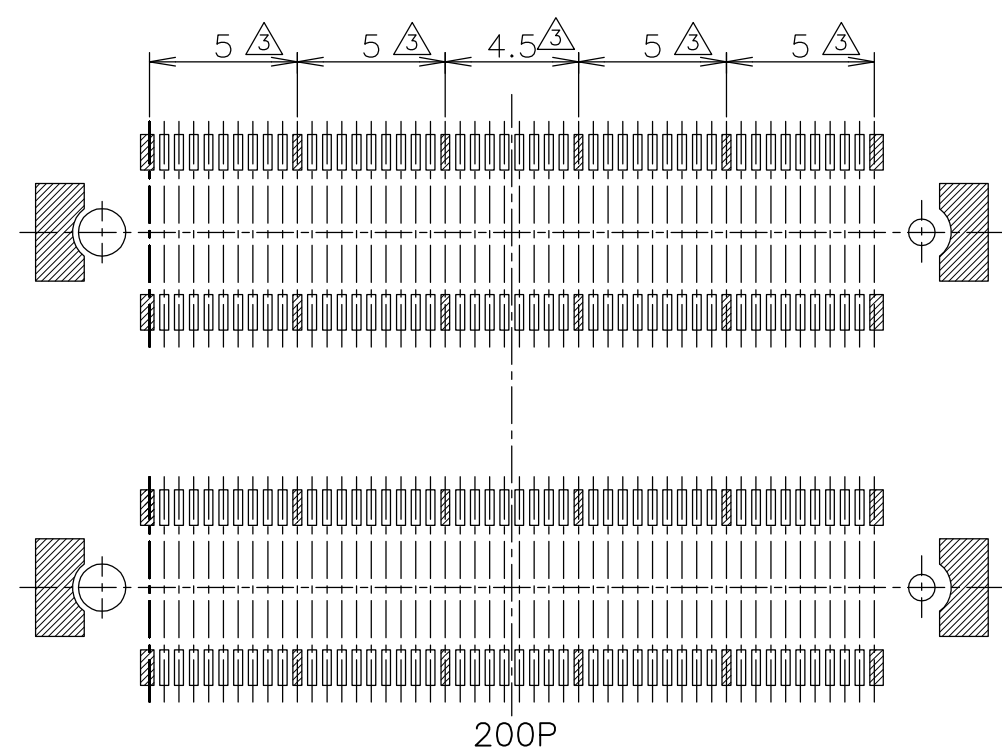


C

C

B

B



A

A

| | | | | |
|--|--------|------------------|--|-----------|
| THIS DRAWING IS A CONTROLLED DOCUMENT. | | DWN | Tyco Electronics Corporation Kawasaki, Japan | |
| DIMENSIONS: MM | | CHK | NAME | |
| TOLERANCES UNLESS OTHERWISE SPECIFIED: | | APVD | HARD TRAY ASSY FH 0.5BTB CONNECTOR PLUG 8H W/G-PLATE ON 2ROW CAP | |
| 0 PLC ± 0.3 | | PRODUCT SPEC | SIZE | CAGE CODE |
| 1 PLC ± 0.3 | | APPLICATION SPEC | A3 | 00779 |
| 2 PLC ± 0.3 | | WEIGHT | DRAWING NO | |
| 3 PLC ± 0.3 | | CUSTOMER DRAWING | G-5353652 | |
| 4 PLC ± 0.3 | | SCALE | RESTRICTED TO | |
| ANGLES ± 3' | | 4:1 | SHEET 8 OF 8 | |
| MATERIAL | FINISH | REV | | B1 |