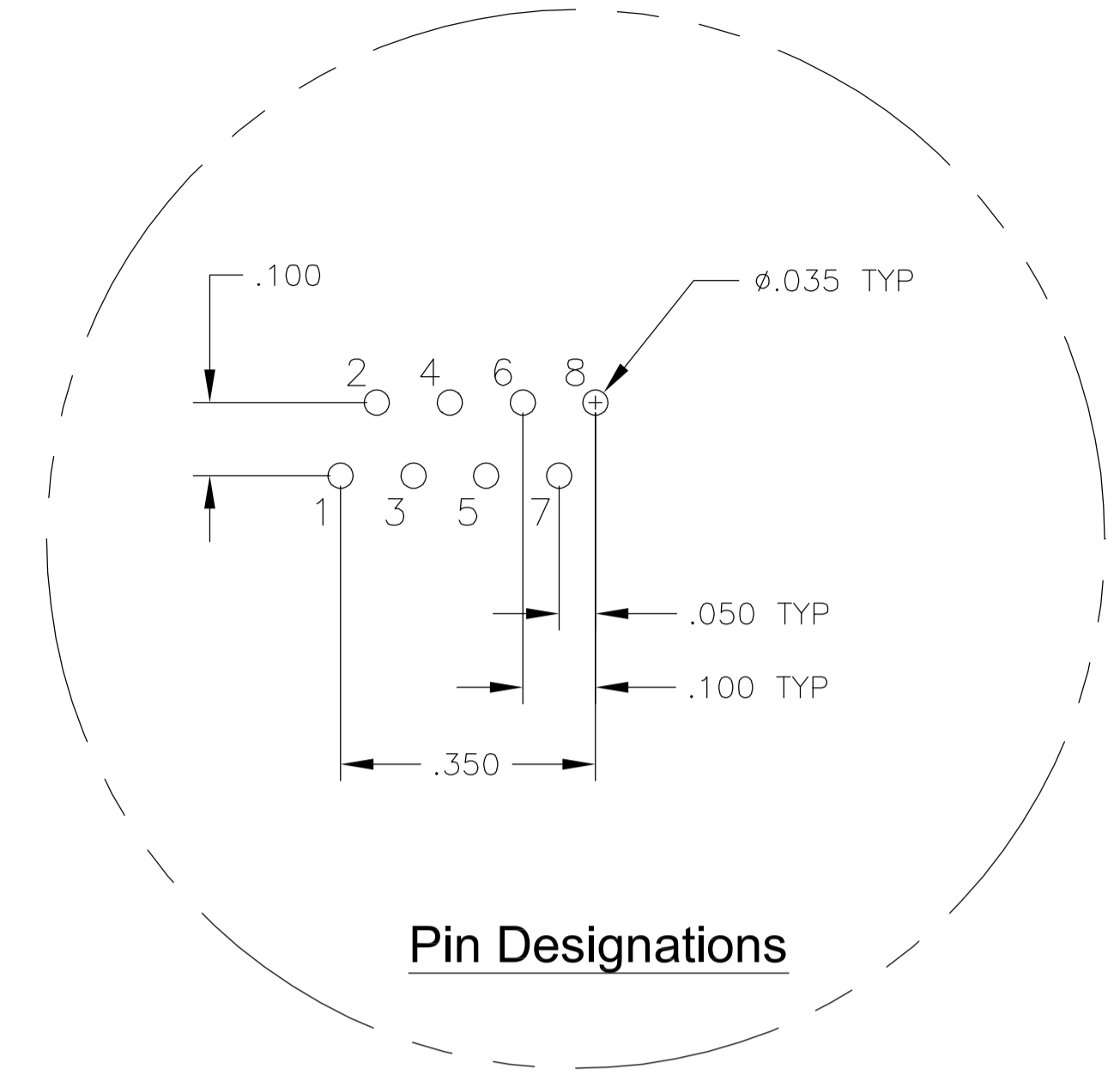
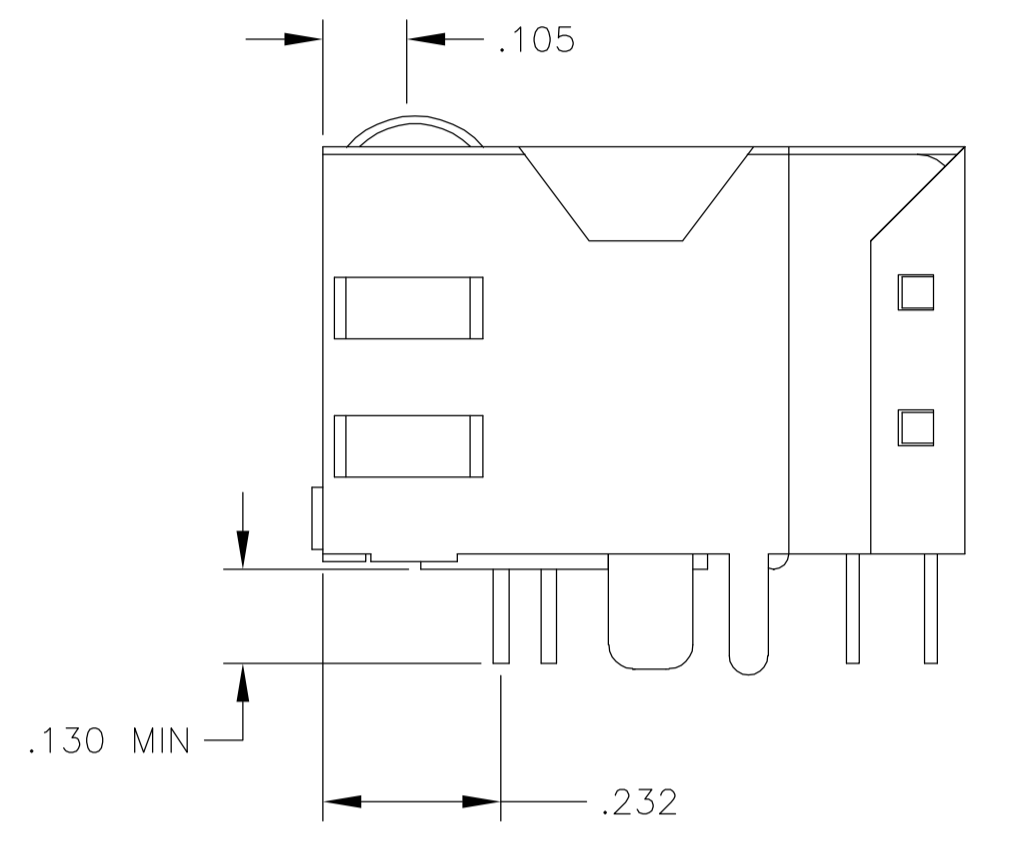
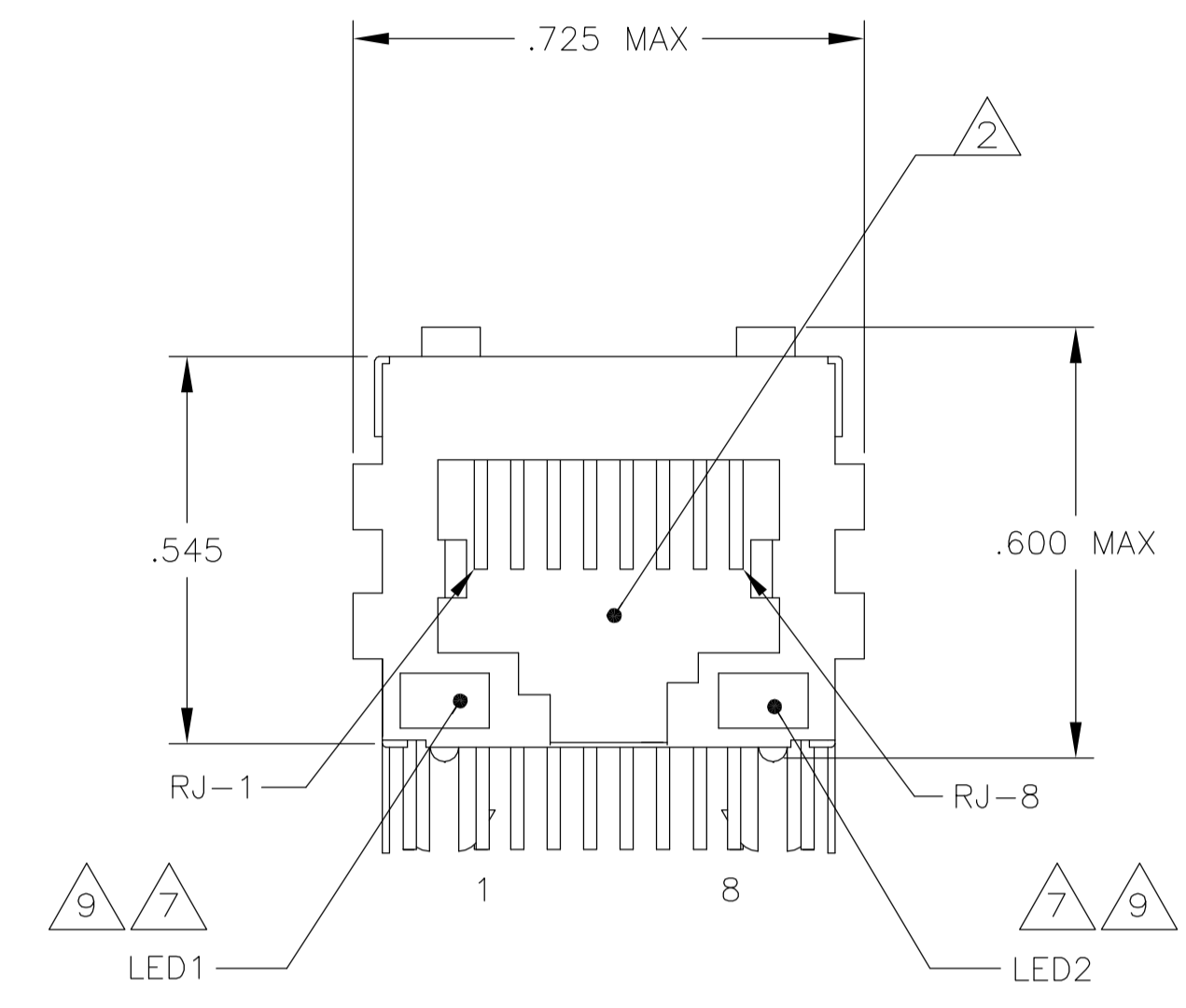
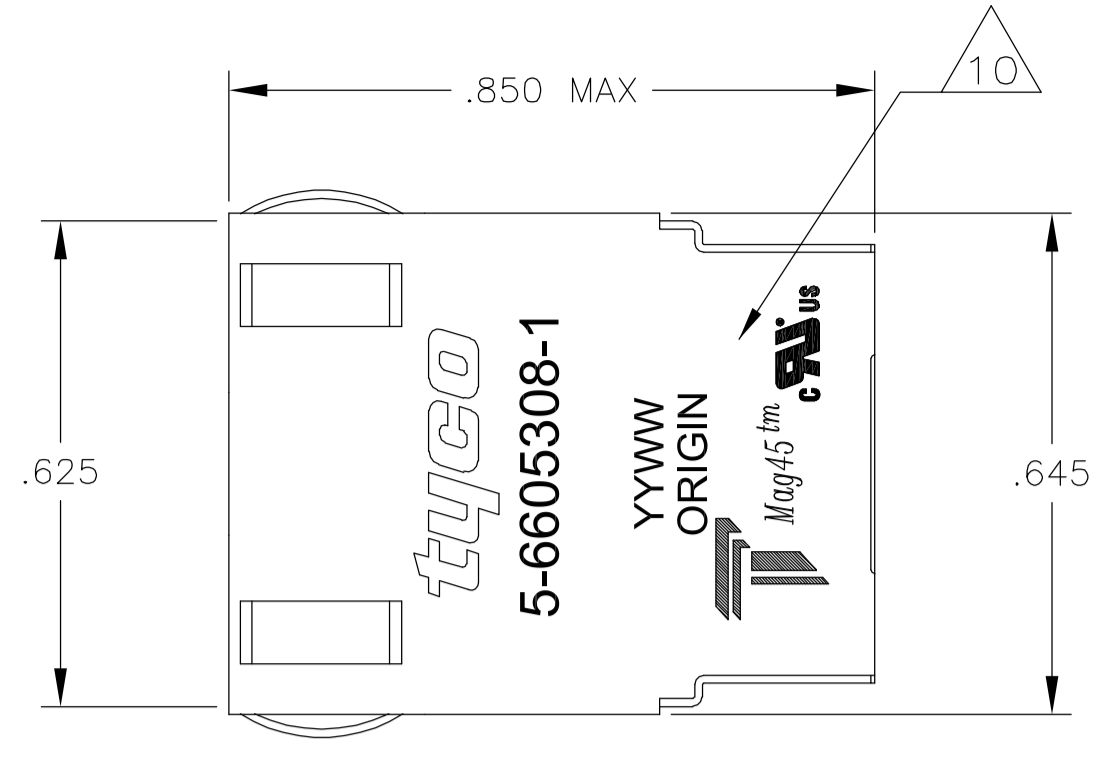
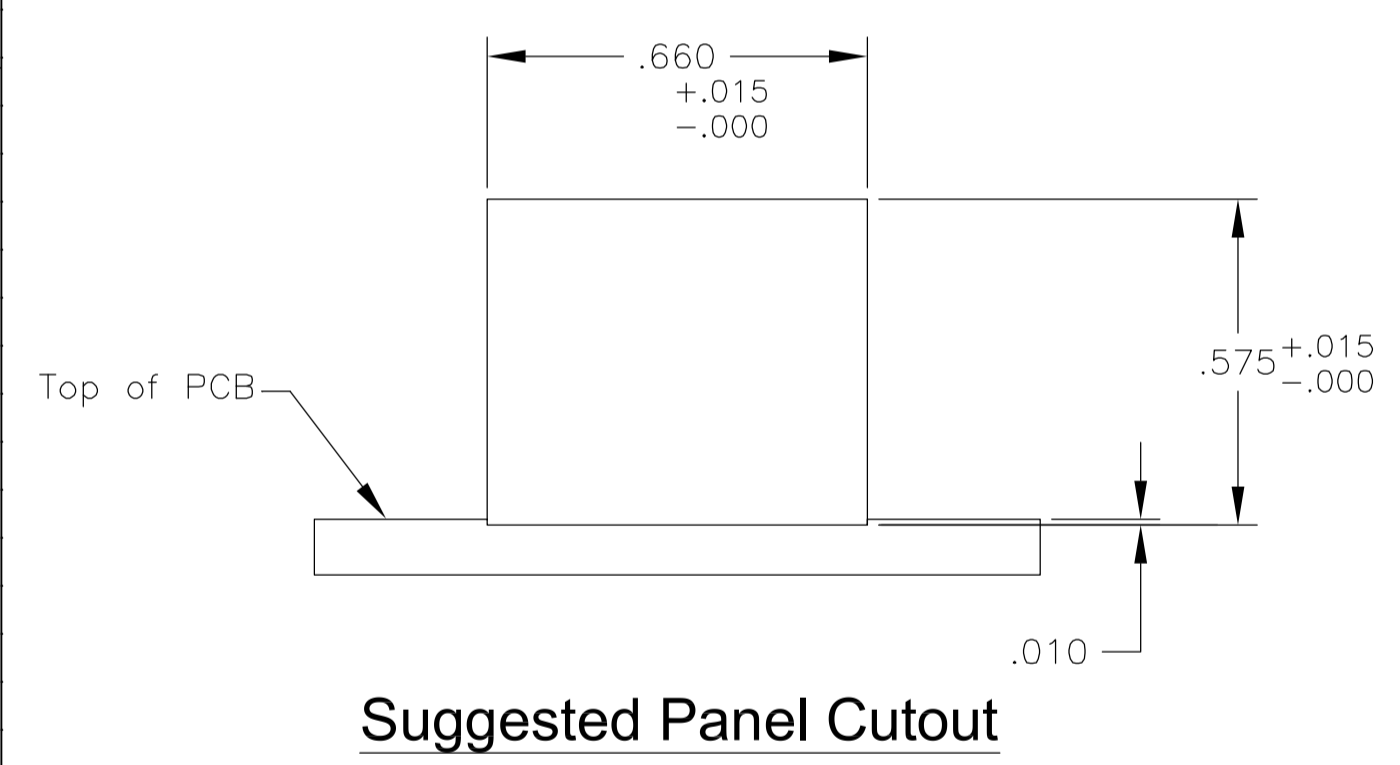


LOC		DIST		REVISIONS				
P	LTR	DATE	BY	APP'D	REV	PER	EC	
AA	22	04MAR2005	GA	DD	A	REV	PER	EC
OS13-0644-04								

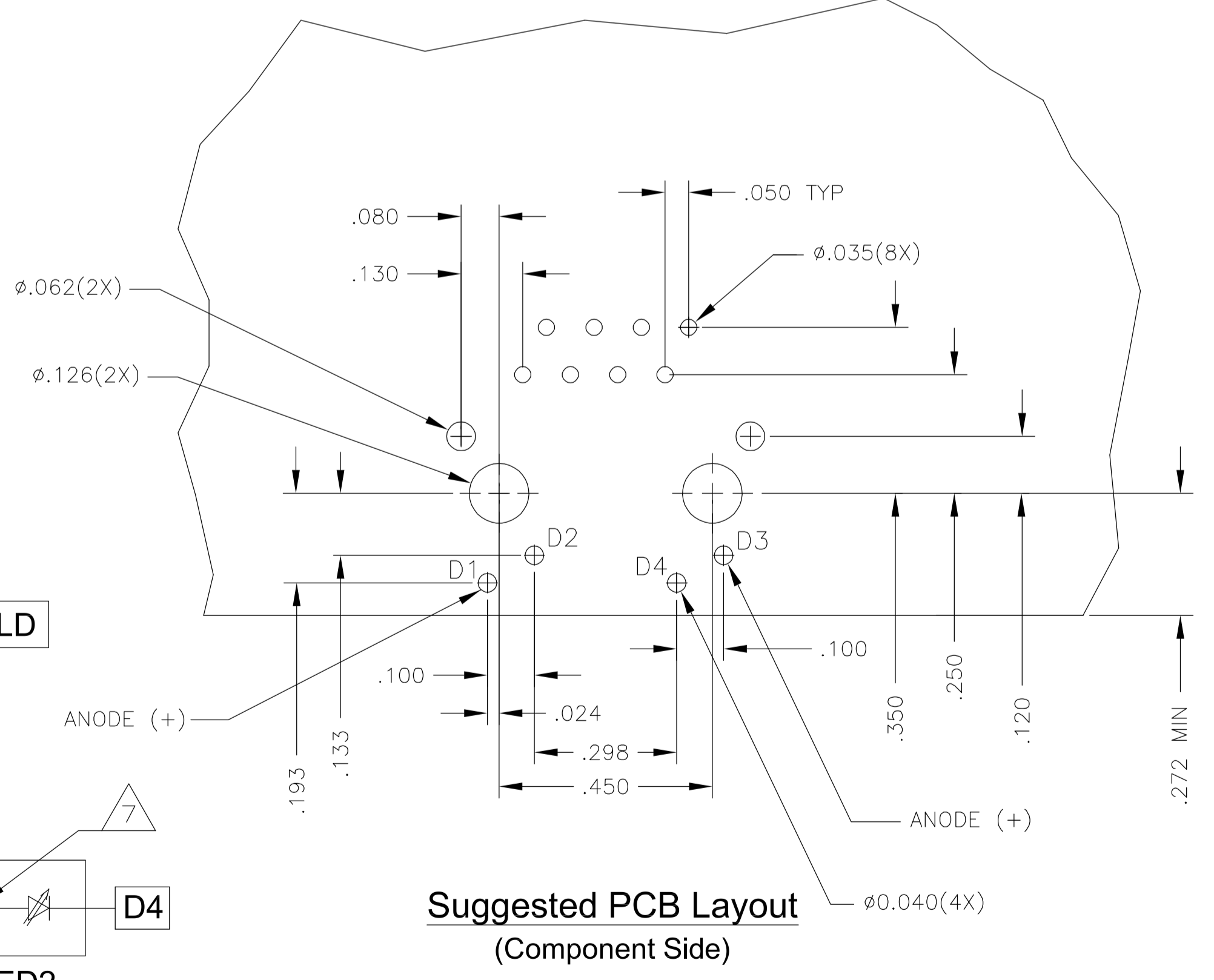
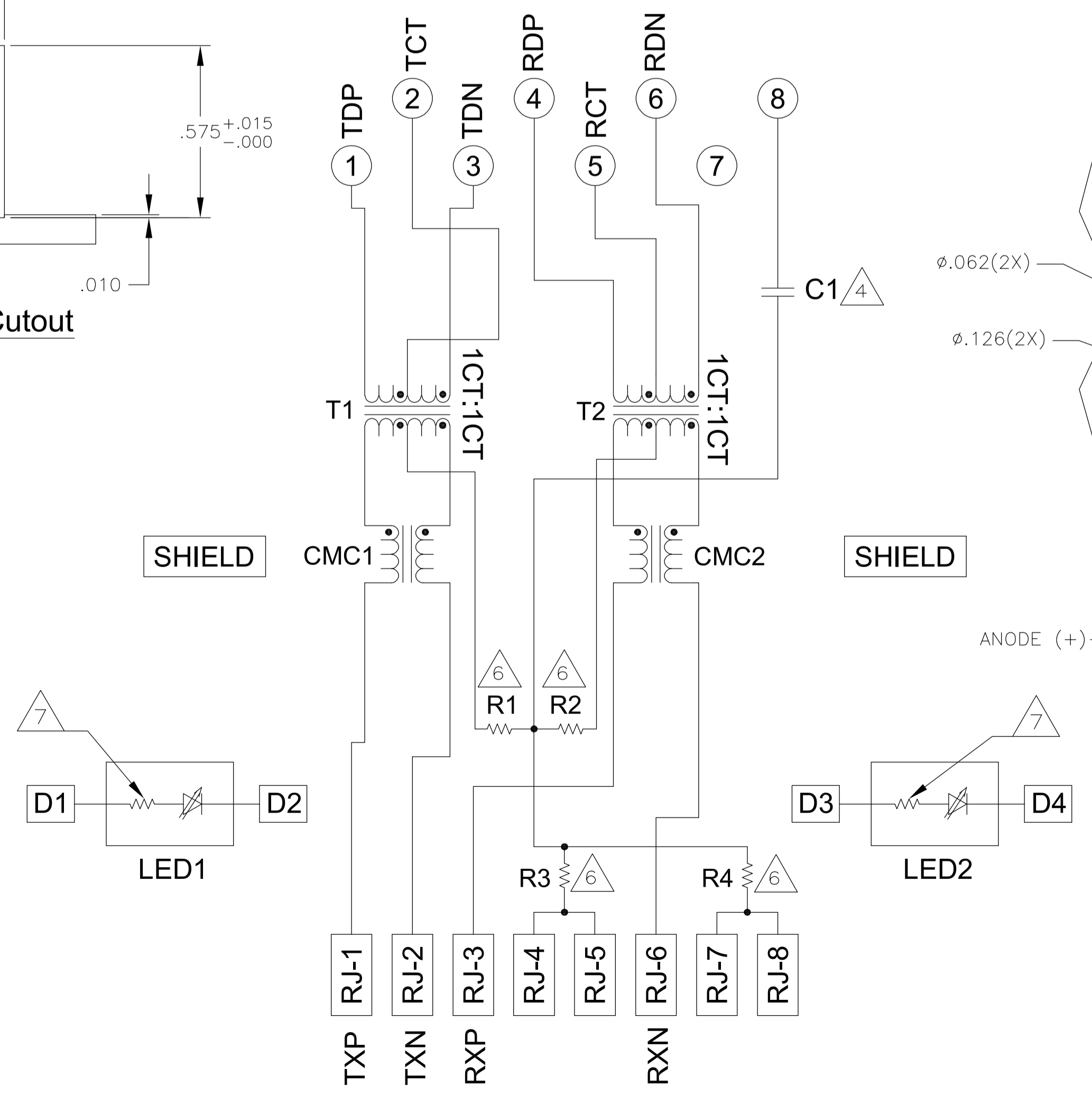
**MECHANICAL:**



**Pin Designations**



**326P1 SERIES MAGNETIC CIRCUIT**



**Suggested PCB Layout (Component Side)**

- △ MATERIALS:  
 HOUSING - THERMOPLASTIC PET POLYESTER FLAMMABILITY RATING UL 94V-0.  
 SHIELD - .010" THICK, C26800 BRASS PREPLATED WITH 30μINCH SEMI-BRIGHT NICKEL. SOLDER TABS POST DIPPED WITH 100μINCH MIN SAC SOLDER.  
 MOD JACK CONTACTS - 0.0157 X 0.018" PHOSPHOR BRONZE, 50μINCH MIN OVERALL NICKEL UNDERPLATE, WITH SELECT 50μINCH MIN HARD GOLD FINISH PLATE  
 SOLDERTAILS WITH 100μINCH MIN MATTE TIN AND/OR SAC SOLDER DIP.  
 LIGHT EMITTING DIODE(LED) - DIFFUSED EPOXY LENS, .020" x .020" CARBON STEEL WIREFRAME LEADS PRE-PLATED WITH 80μINCH SILVER OVER 40μINCH NICKEL UNDERPLATE OVER 40μINCH COPPER UNDERPLATE. POST-PLATED WITH 100μINCH MIN MATTE TIN AND/OR SAC SOLDER DIP OR PURE TIN SOLDER DIP.
- △ RJ45 JACK CAVITY CONFORMS TO FCC RULES AND REGULATIONS PART 68, SUB PART F.
- △ MAGNETICS  
 -IMPEDANCE: 100 OHMS  
 -TURNS RATIO (CHIP:CABLE): TX = 1:1, RX = 1:1  
 -OPEN CIRCUIT INDUCTANCE (OCL): 350μH MIN @100kHz, 0.1VRMS, 8mADC BIAS FROM 0°C TO 70°C, TX AND RX  
 -PERFORMANCE @ 25°C:  
 INSERTION LOSS (IL): 1.1dB MAX FROM 0.5MHZ TO 100MHZ  
 RETURN LOSS (RL): 18dB MIN FROM 0.5MHZ TO 30MHZ  
 18-20LOG(f/30)dB MIN FROM 30.1MHZ TO 60MHZ  
 12dB MIN FROM 60.1MHZ TO 80MHZ  
 CROSSTALK ATTENUATION: 35dB MIN FROM 0.5MHZ TO 40MHZ  
 33-20\*LOG(f/50)dB MIN FROM 40.1MHZ TO 100MHZ  
 COMMON MODE REJECTION RATIO (CMRR): 30dB MIN FROM 0.5MHZ TO 100MHZ  
 -ISOLATION VOLTAGE: COMPLIES WITH IEEE802.3 2002, PARA 23.5.1.1, ITEM a or b.
- △ C1 IS A 1000 pF, 2KV DECOUPLING CAPACITOR.
- 5. OPERATING TEMPERATURE: FROM 0° - +70°C.
- △ R1-R4 = 75 OHMS, 1/16 W, 5% RESISTORS.
- △ LED COMPLIANT WITH IEC60825-1 SAFETY OF LASER PRODUCTS. WHEN OPERATED UP TO 20 mA. THE 250 OHM RESISTOR IS INCLUDED.
- △ INDICATED CONNECTIONS ARE FOR NIC CONFIGURATION. THE MAGNETICS ARE SYMMETRICAL, AND DO SUPPORT AUTO-MDI/MDIX.
- △ LED PEAK WAVELENGTH: GREEN(λ) = 565nm  
 YELLOW(λ) = 585nm.
- △ TRADEMARK, PART NUMBER, DATE CODE, COUNTRY OF ORIGIN, AND AGENCY APPROVAL MARKING IN APPROXIMATE LOCATION SHOWN.

GREEN	YELLOW	5-6605308-1
LED1	LED2	PART NUMBER

THIS DRAWING IS A CONTROLLED DOCUMENT.		DIN G ATTADIA - 04MAR2005	Tyco Electronics Corporation Harrisburg, PA 17105-3608
DIMENSIONS: INCHES		CHK D FAROLE - 04MAR2005	
TOLERANCES UNLESS OTHERWISE SPECIFIED:		APVD D FAROLE - 04MAR2005	NAME
0 PLC ± -			1X1 MAG45(TM) MODULAR JACK.
1 PLC ± -			4N2P1 SCHEMATIC, 326P1 CIRCUIT, SHIELDED.
2 PLC ± .010			DECOUPLING CAPACITOR, WITH RESISTOR LEDS
3 PLC ± .005			
4 PLC ± -			
ANGLES ± -			
MATERIAL	FINISH	WEIGHT	SIZE
			A1 00779
CUSTOMER DRAWING		SCALE	SHEET
		NTS	1 OF 1
			REV
			A