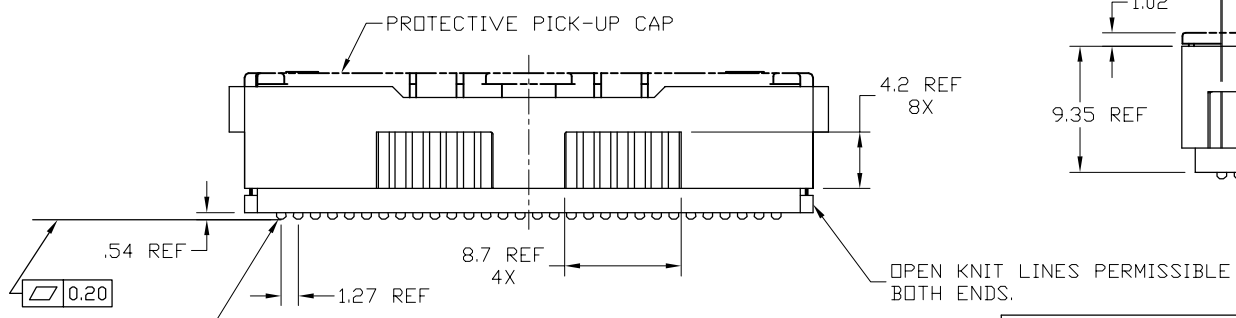
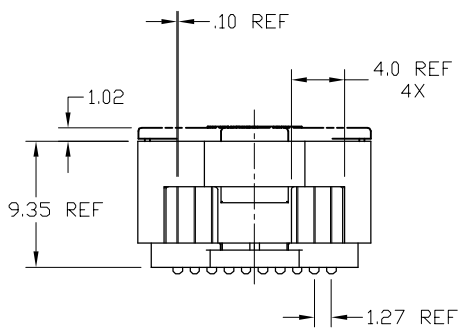
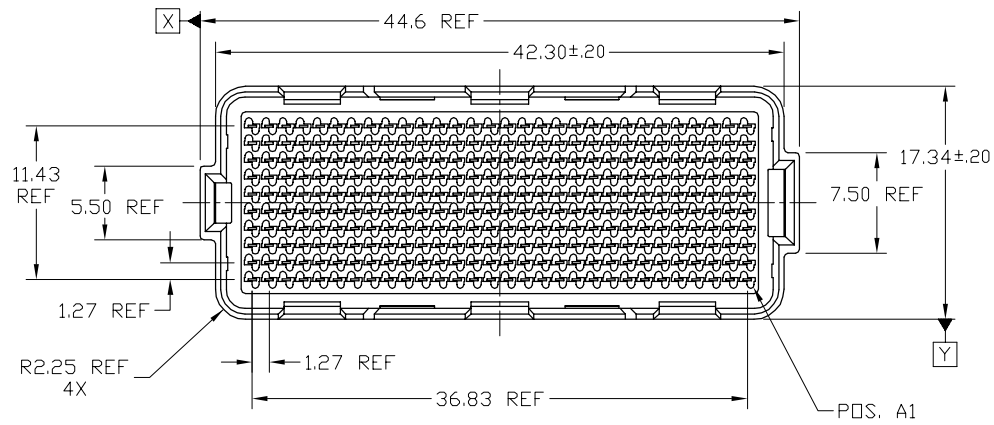


PRODUCT NUMBER	PICK-UP CAP	CONTACT PLATING	SOLDER BALLS
84578-002	YES	15u"/(.38mm) Au OVER Ni	SnPb
84578-002LF			SnAgCu LEAD FREE (5)(6)
84578-102	YES	30u"/(.76mm) Au OVER Ni	SnPb
84578-102LF			SnAgCu LEAD FREE (5)(6)
84578-202	YES	SEE MATED HEIGHT TABLE	SnPb
84578-202LF			SnAgCu LEAD FREE (5)(6)



Ø 0.76 SOLDER BALLS  
 ⊕ Ø.30 X|Y  
 300X

OPEN KNIT LINES PERMISSIBLE BOTH ENDS.

mat'l. code		surface		tolerance		projection		product family	
		ASME Y14.5 ✓		ASME Y14.5				MEG-ARRAY	
ltr	ec'n no	dr	date	tolerances unless otherwise specified				title	
A	EC-V10246	DRW	12.19.01					6mm PLUG ASSY	
B	EC-V20006	DRW	1.8.02					10 X 30 = 300 POS.	
C	V03-0681	DAI	06/20/03					scale 2:1	
D	V04-0940	VS	11/1/04	dr	D. WAUGHEN	9.21.98		dwg no sheet 1 of 2 size	
E	V06-0560	LP	2006/7/14	engr	M. HAHN	9.21.98		84578 A4	
F	V07-0641	LP	2007/05/15	chr	M. HAHN	9.21.98		type CUSTOMER Drawing	
sheet index		revision	F F						
		sheet	1 2						

NOTES:

1. MATERIAL:  
HOUSING: LCP  
CONTACT: COPPER ALLOY

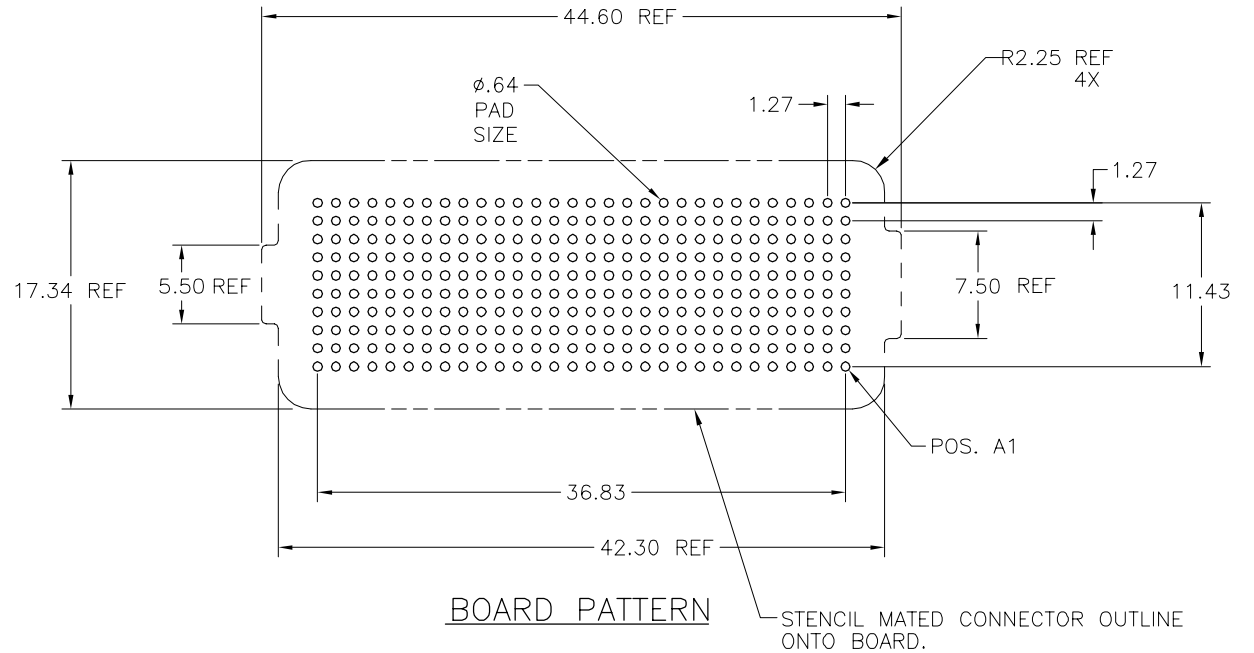
PLATING CONTACT: SEE TABLE ON SHEET 1  
SOLDER BALL: SEE TABLE ON SHEET 1  
EUTECTIC SnPb OR LEAD FREE  
95.5 Sn/4 Ag/0.5 Cu

2. OVERALL BOARD-TO-BOARD STACK HEIGHTS  
AVAILABLE USING THIS CONNECTOR (84578):

MATED HT.	WITH RECPT. P/N	-2XX PLATING
10.0	84501	SEE NOTE 3
11.5	84502	*
14.0	84553	SEE NOTE 4

\* 84502 NOT AVAILABLE IN TELCORDIA/NORTEL VERSION.

- 3. PLATING FOR INDICATED -2XX SERIES PART NOS. MEETS THE REQUIREMENTS OF NORTEL NPS25298-2 (CENTRAL OFFICE ENVIRONMENT, 25 YEAR LIFE EXPECTANCY).
- 4. PLATING FOR INDICATED -2XX SERIES PART NOS. IS Au OVER Ni WITH SPECIAL CONTACT GEOMETRY TO MEET REQUIREMENTS OF TELCORDIA GR-1217-CORE: CENTRAL OFFICE ENVIRONMENT.
- 5. FOR PROPER APPLICATION FOLLOW FCI APPLICATION SPECIFICATION GS-20-033. LEAD FREE SOLDER BALLS WILL NOT SOLDER PROPERLY IN A LEADED SOLDER PROCESS DUE TO A HIGHER REFLOW TEMPERATURE LEAD FREE PRODUCT IS THEREFORE NOT BACKWARDS COMPATIBLE WITH LEADED OR SOME SOLDERING APPLICATIONS. REFERENCE FCI APPLICATION SPECIFICATION
- 6. THIS PRODUCT MEETS EUROPEAN UNION DIRECTIVE AND OTHER COUNTRY REGULATIONS AS DESCRIBED IN GS-22-008. PRODUCT MEETING THIS DIRECTIVE IS IDENTIFIED IN THE LOT CODE NUMBER MARKED ON EACH PART BY HAVING AN "X" IN THE SEVENTH CHARACTER POSITION.



mat'l. code		surface ASME Y14.5		tolerance ASME Y14.5		projection MM		product family MEG-ARRAY	
ltr	ecrn no	dr	date	tolerances unless otherwise specified		MM		title 6mm PLUG ASSY 10 X 30 = 300 POS.	
F				angles	linear	scale 2:1		dwg no 84578	
				0° ±2'	XXX±.051	FCI		sheet 2 of 2 size A4	
		dr	D. WAUGHEN	9.21.98				type CUSTOMER Drawing	
		enr	M. HAHN	9.21.98					
		chr	M. HAHN	9.21.98					
		appd	M. HAHN	9.21.98					
sheet index	revision sheet								