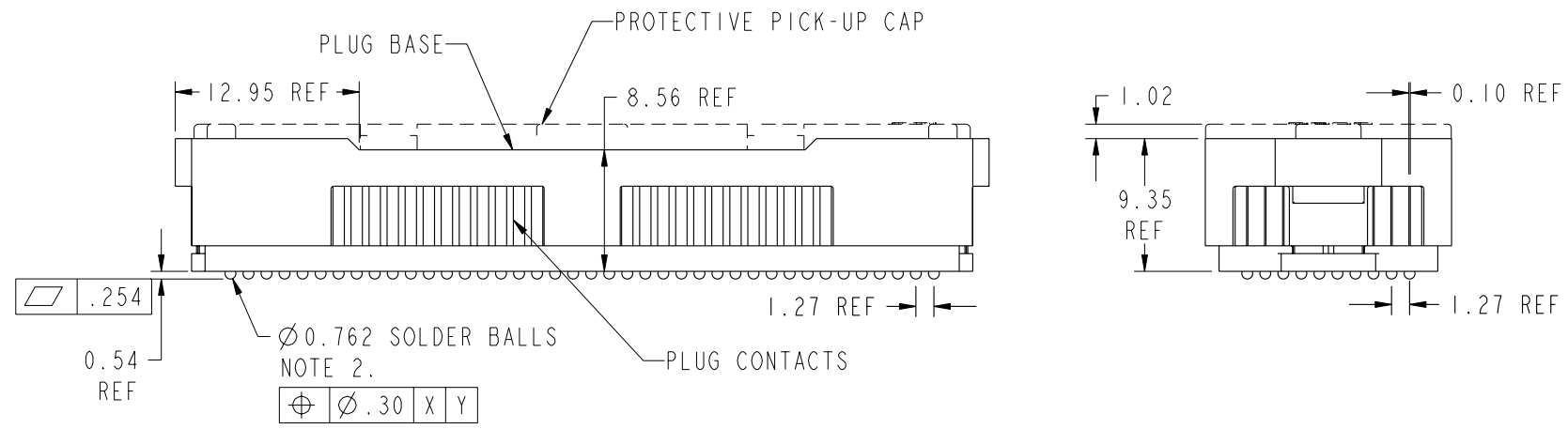
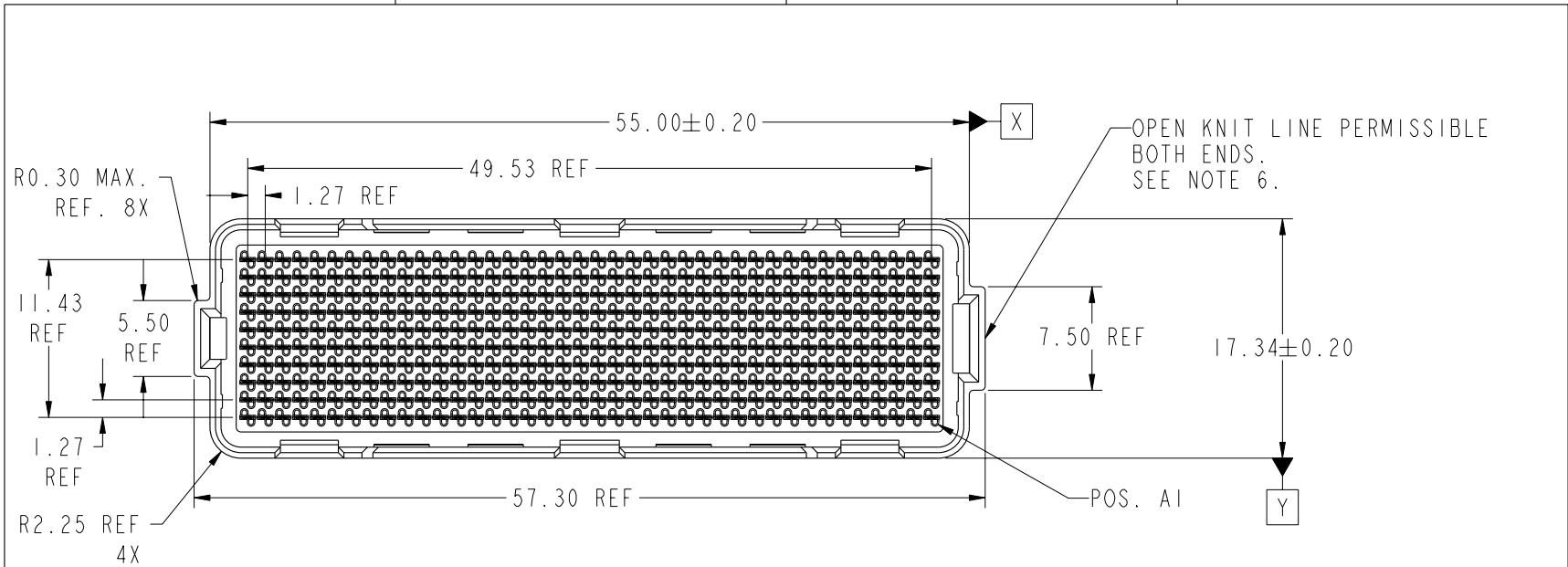




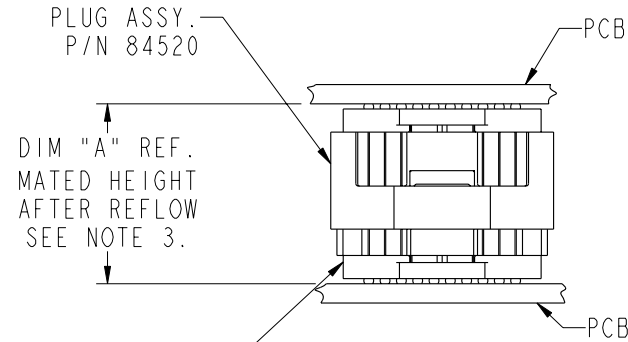
This document is the property of and embodies CONFIDENTIAL and PROPRIETARY information of FCI. No part of the information shown on this document may be used in any way or disclosed to others without the written consent of FCI. Copyright FCI.



mat'l code				SEE NOTE 1.		tolerances unless otherwise specified		CUSTOMER		FCI www.fciconnect.com	
ltr	ecm no.	dr	date	linear	0.X ±0.3		COPY		title 6.0mm PLUG ASSY. 10 X 40= 400 POS.		
A	V00195	DRW	7-20-00		0.XX ±0.13		projection				
B	V20006	DRW	1-4-02		.XXX ±.051		MM				
C	V20932	DRW	5-22-02	angles	0° ±2°		scale		product family MEG-ARRAY code 213		
D	V03-0681	DAI	06/20/03		dr D.WAUGHEN 8-10-99		2:1		size MEG-ARRAY code 213		
E	V04-0940	VS	12/11/04	engr W.SPINK 8-10-99		A		size MEG-ARRAY code 213			
F	V06-0560	LP	2006/07/14	chr M.SPINK 8-10-99		A		size MEG-ARRAY code 213			
				appd M.SPINK 8-10-99		A		size MEG-ARRAY code 213			
sheet index		revision sheet		F	F	F	F	F	cage code 22526		
				1	2	3	4	5			



This document is the property of and embodies
 CONFIDENTIAL and PROPRIETARY information of FCI.
 No part of the information shown on this
 document may be used in any way or disclosed
 to others without the written consent of FCI.
 Copyright FCI.

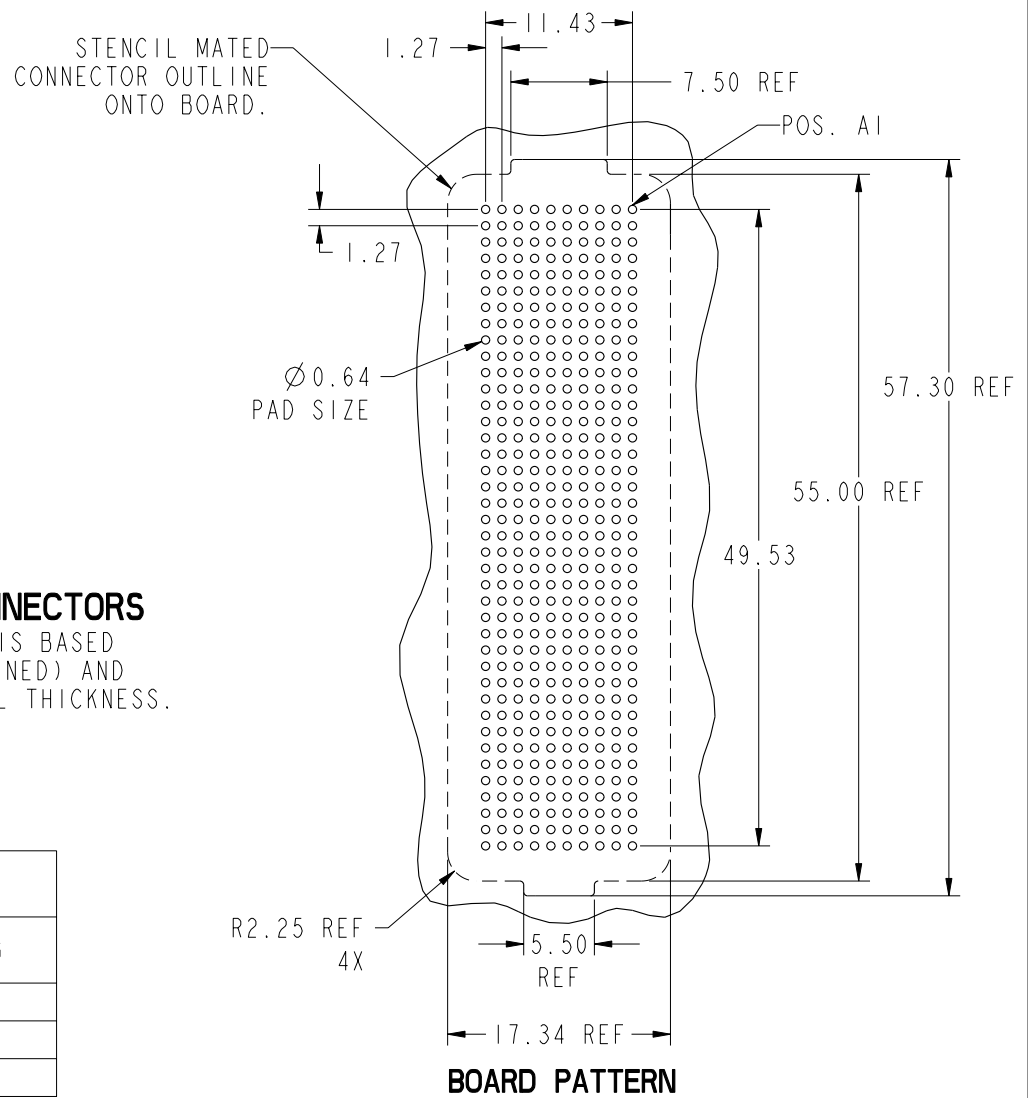


END VIEW - MATED CONNECTORS

MATED HEIGHT AFTER REFLOW IS BASED
ON Ø0.64mm PAD (METAL DEFINED) AND
0.13mm SOLDER PASTE STENCIL THICKNESS.
SEE NOTE 3.

RECPT. ASSY.
(SEE TABLE BELOW)

MATED HEIGHT TABLE		
DIM. "A"	RECPT. ASSY. P/N	-2XX PLATING
10.0	74221	SEE NOTE 4
12.0	74388	SEE NOTE 5
14.0	74390	SEE NOTE 5



mat'l code		SEE NOTE 1		tolerances unless otherwise specified		CUSTOMER		FCI		www.fciconnect.com	
ltr	ecn no.	dr	date	linear	0.X ±0.3	COPY		projection		title	
F					0.XX ±0.13	MM				6.0mm PLUG ASSY. 10 X 40 = 400 POS.	
				angles	.XXX ±.051	scale		product family		code	
				dr	0° ±2°	17:10		MEG-ARRAY		213	
				engr		A		size		sheet	
				chr	D.WAUGHEN 8-10-99			dwg no		2	
				appd	W.SPINK 8-9-99			84520			
					W.SPINK 8-10-99						
sheet index	revision sheet										

cage code 22526 4

Pro/E

3

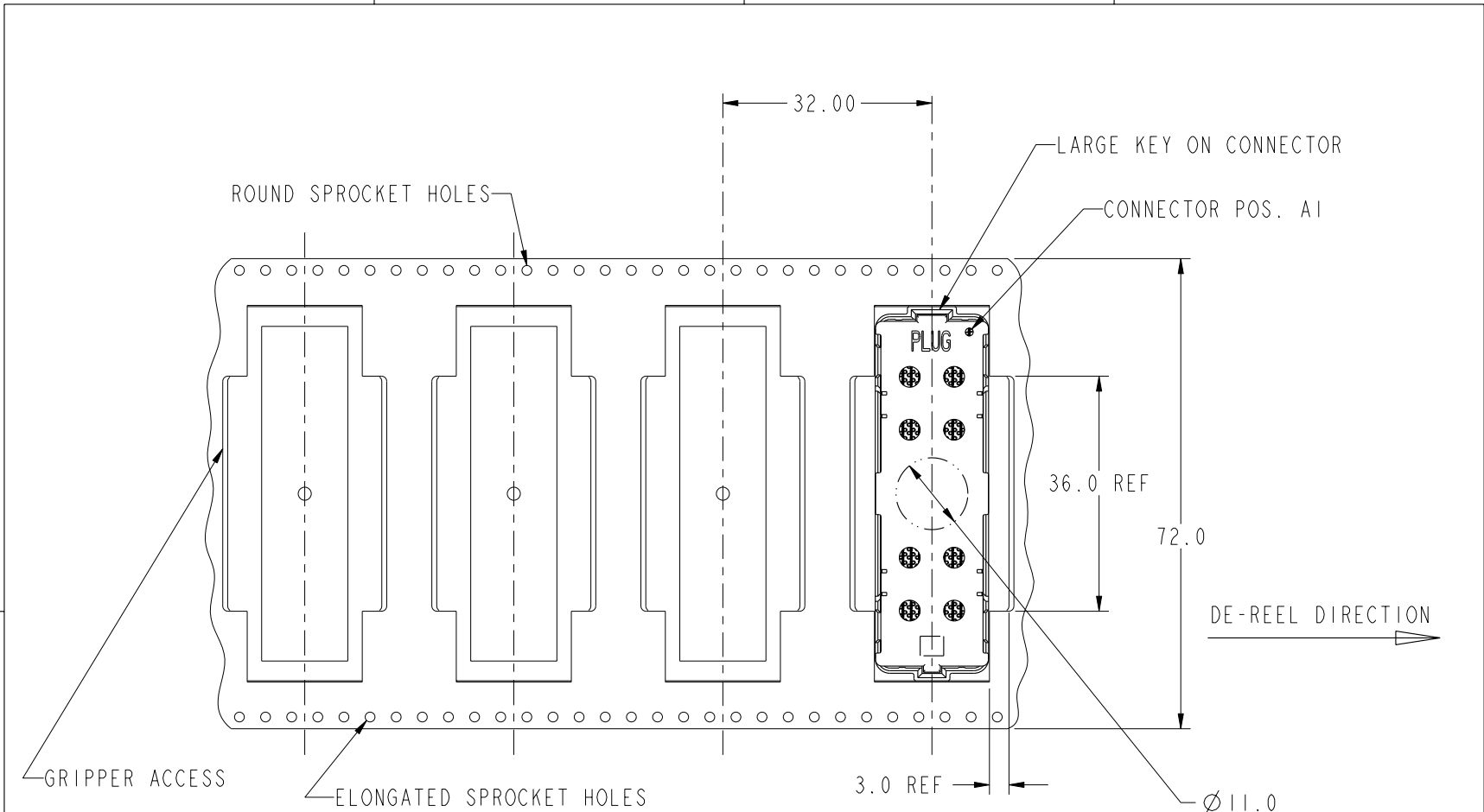
PDM: Rev:F

STATUS Released

Printed: Jul 31, 2006



This document is the property of and embodies CONFIDENTIAL and PROPRIETARY information of FCI. No part of the information shown on this document may be used in any way or disclosed to others without the written consent of FCI. Copyright FCI.



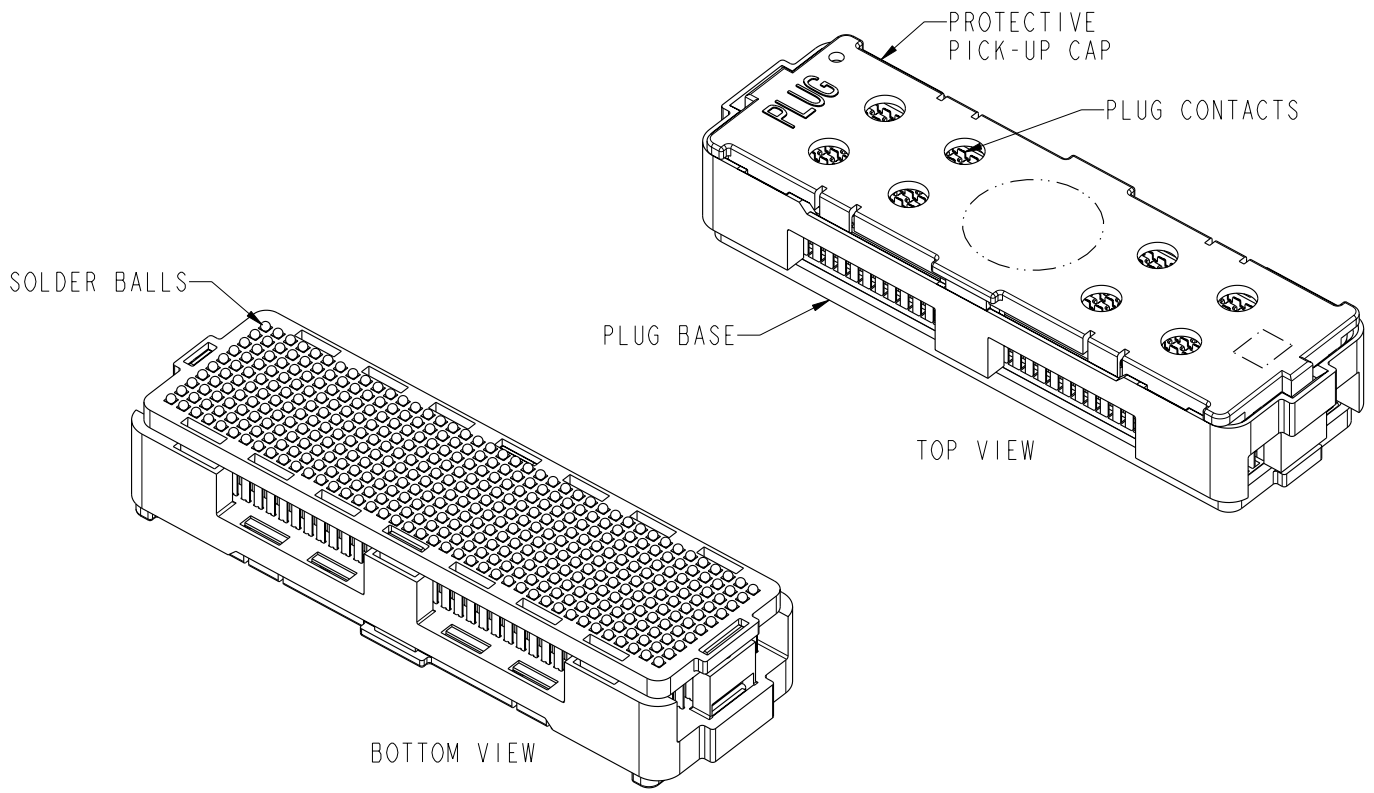
TAPE & REEL PACKAGING
PER EIA 481-3

mat'l code		SEE NOTE 1		tolerances unless otherwise specified		CUSTOMER		FCI www.fciconnect.com	
ltr	ecr no.	dr	date	linear	0.X ±0.3		COPY		title 6.0mm PLUG ASSY. 10 X 40= 400 POS.
F					0.XX ±0.13		projection		
					.XXX ±.051				
				angles	0° ±2°				product family MEG-ARRAY code 213 sheet 3
				dr	D.WAUGHEN	8-10-99	MM		
				engr	W.SPINK	8-9-99			
				chr	W.SPINK	8-10-99	scale 5:1		size A dwg no 84520
				appd	W.SPINK	8-10-99			
sheet index	revision sheet								cage code 22526

1 | 2

3 |

4



A

A



This document is the property of and embodies CONFIDENTIAL and PROPRIETARY information of FCI. No part of the information shown on this document may be used in any way or disclosed to others without the written consent of FCI. Copyright FCI.

B

B

mat'l code		SEE NOTE 1.		tolerances unless otherwise specified		CUSTOMER		FCI www.fciconnect.com	
ltr	ecm no.	dr	date	linear	0.X ±0.3		COPY		title 6.0mm PLUG ASSY. 10 X 40= 400 POS.
F					0.XX ±0.13		projection		
					.XXX ±.051				
				angles	0° ±2°				product family MEG-ARRAY code 213 sheet 4
		dr	D.WAUGHEN	8-10-99	MM		product family MEG-ARRAY code 213		
		enr	W.SPINK	8-9-99			size dwg no 84520		
		chr	W.SPINK	8-10-99	scale 17:10		A		sheet 4
		appd	W.SPINK	8-10-99					
sheet index	revision sheet								

1 | 2

Pro/E

3 |

cage code 22526

4

PRODUCT NUMBER	PICK-UP CAP	CONTACT PLATING	SOLDER BALL
84520-002	YES	15u"/(.38um) Au OVER Ni	SnPb
84520-002LF			SnAgCu LEAD FREE ⑦⑧
84520-102	YES	30u"/(.76um) Au OVER Ni	SnPb
84520-102LF			SnAgCu LEAD FREE ⑦⑧
84520-202	YES	SEE MATED HEIGHT TABLE ON SHEET 2	SnPb
84520-202LF			SnAgCu LEAD FREE ⑦⑧

NOTES:

- ①. MAT'L:
HOUSING: LCP
CONTACT: COPPER ALLOY

PLATING:
CONTACT: SEE TABLE ON SHEET 5
SOLDER BALL: SEE TABLE ON SHEETS
EUTECTIC SnPb OR LEAD FREE
95.5Sn/4Ag/0.5Cu
- ②. SOLDER BALLS WILL NOT BE PERFECT SPHERICAL SHAPE DUE TO REFLOW ATTACHMENT.
- ③. MATED HEIGHT EFFECTED BY CUSTOMER'S PCB PAD SIZE, PLATING, SOLDER REFLOW PROFILE & SOLDER PASTE.
- ④. PLATING FOR INDICATED -2XX SERIES PART NOS. MEETS THE REQUIREMENTS OF NORTEL NPS25298-2 (CENTRAL OFFICE ENVIRONMENT, 25 YEAR LIFE EXPECTANCY).
- ⑤. PLATING FOR INDICATED -2XX SERIES PART NOS. IS Au OVER Ni WITH SPECIAL CONTACT GEOMETRY TO MEET REQUIREMENTS OF TELCORDIA GR-1217-CORE: CENTRAL OFFICE ENVIRONMENT.
- ⑥. KNIT LINE: SLIGHT VISIBLE MARKS (USUALLY A LINE) INDICATING THE DIRECTION AND MEETING POINT OF PLASTIC RESIN FLOW FRONTS TRAVELING AROUND ANY OBSTRUCTIONS TO THE RESIN FLOW VIA THE REQUIRED MOLD TOOLING.
- ⑦. FOR PROPER APPLICATION FOLLOW FCI APPLICATION SPECIFICATION GS-20-033. LEAD FREE SOLDER BALLS WILL NOT SOLDER PROPERLY IN A LEADED SOLDER PROSESS DUE TO A HIGHER REFLOW TEMPERATURE LEAD FREE PRODUCT IS THEREFORE NOT BACKWARDS COMPATIBLE WITH LEADED OR SOME SOLDERING APPLICATIONS. REFERENCE FCI FCI APPLICATION SPECIFICATION
- ⑧. THIS PRODUCT MEETS EUROPEAN UNION DIRECTIVE AND OTHER COUNTRY REGULATIONS AS DESCRIBED IN GS-22-008. PRODUCT MEETING THIS DIRECTIVE IS IDENTIFIED IN THE LOT CODE NUMBER MARKED ON EACH PART BY HAVING AN "X" IN THE SEVENTH CHARACTER POSITION



This document is the property of and embodies CONFIDENTIAL and PROPRIETARY information of FCI. No part of the information shown on this document may be used in any way or disclosed to others without the written consent of FCI. Copyright FCI.

mat'l code				tolerances unless otherwise specified			CUSTOMER		FCI www.fciconnect.com	
ltr	ecr no.	dr	date	linear	projection		COPY		title	
F							MM		6.0mm PLUG ASSY. 10 X 40= 400 POS.	
							scale		product family	
				dr	D.WAUGHEN	8-10-99	MEG-ARRAY		213	
				enr	W.SPINK	8-9-99	size	dwg no	sheet	
				chr	W.SPINK	8-10-99	A	84520	5	
				appd	X.XXXXX	8-10-99				
sheet index	revision sheet									