

REV. AP

DO NOT SCALE FROM THIS PRINT

- NOTES:
1. COPLANARITY TO BE WITHIN .004.
 2. MINIMUM PUSHOUT FORCE: 1 LB.
 3. TAILS TO BE SHEARED TO THE DIMENSION AS SHOWN, .003 [.08] MAX BURR.
 4. .010 [.25] MAX CUT FLASH.
 5. FOR -XX POSITION ASSEMBLY USE -XX POSITION BODY EXCEPT AS LISTED IN TABLE 2
 6. IF -A ON ASSEMBLY, USE -A ON END OF BODY CALLOUT FTE-190-0X-G-DV-SA FOR STOCK THAT WILL BE CUT FOR STAKED -A ORDERS. FTE-190-0X-G-DV FOR ORDERS NOT REQUIRING STAKED -A.

DIMENSIONS ARE IN INCHES		TOLERANCES ARE:	
ONE PLACE DECIMALS ±.1[2.5]	THREE PLACE DECIMALS ±.005[.13]	ANGLES ± 2°	
TWO PLACE DECIMALS ±.01[.3]	FOUR PLACE DECIMALS ±.0020[.051]		

TITLE: .8MM x 1.2MM C.L. TERMINAL STRIP ASSM

DWG NO: FTE-1XX-XX-X-DV-XX-XX
SHEET 1 OF 3

TABLE 2	
ASSEMBLY	BODY
FTE-1XX-01-G-DV-ES-XX (SEE NOTES 5 AND 6)	FTE-90-D-ES-XX-X (SEE NOTES 5 AND 6)
FTE-115-01-G-DV-ES-XX (SEE NOTE 6)	FTE-85-D-ES-15-X (SEE NOTE 6)
FTE-120-01-G-DV-ES-A-XX	FTE-85-D-ES-20-A
FTE-120-01-G-DV-ES-XX	FTE-90-D-ES-20

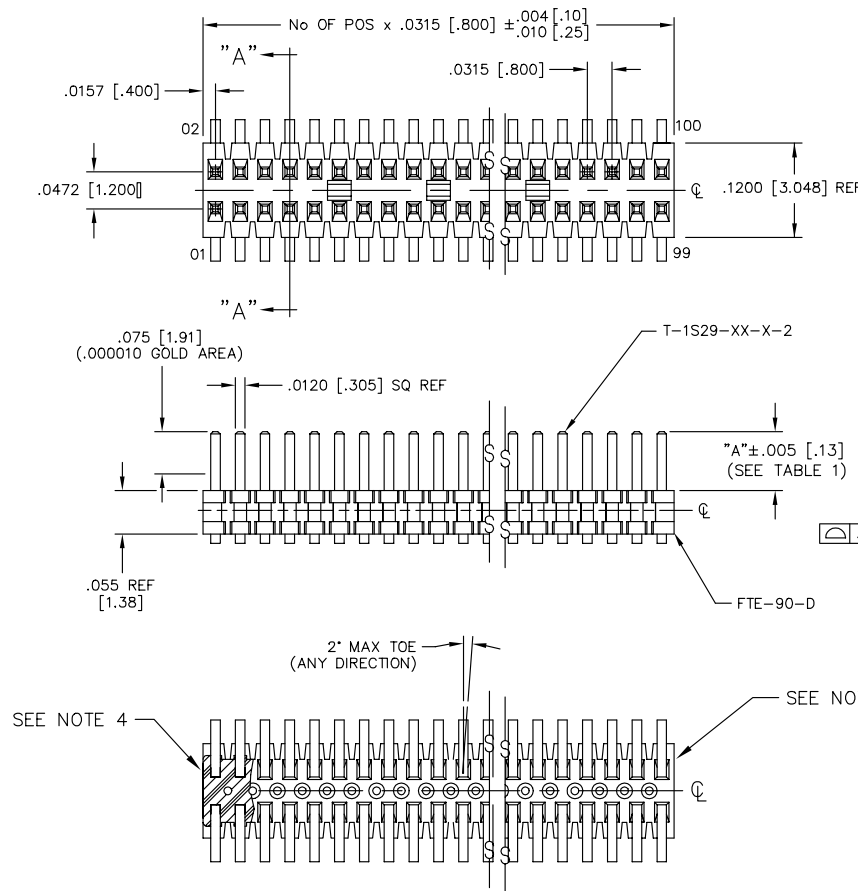


FIG. 1

- FTE-1XX-XX-X-DV-XX-XX
- No OF POSITIONS -05 THRU -90 (PER ROW)
- LEAD STYLE SPEC
- 01: .075 POST (USE T-1S29-04-X-2 FOR HAND FILL, T-1S29-02-X-2 FOR MACHINE FILL)
 - 02: .175 POST (USE T-1S29-04-X-2 FOR HAND FILL, T-1S29-02-X-2 FOR MACHINE FILL)
 - 03: .120 POST (USE T-1S29-04-X-2 FOR HAND FILL, T-1S29-02-X-2 FOR MACHINE FILL)
- PLATING SPEC
- G: .000010 GOLD ON POST, FLASH GOLD ON REMAINDER
- ROW SPEC
- DV: DOUBLE ROW VERTICAL (USE FTE-90-D)
- OPTIONS
- P: PICK & PLACE PAD (SEE FIG. 2, SHT 2) (ONLY AVAILABLE FOR 08-90 POSITIONS) (USE PPP-37)
 - TR: TAPE & REEL PACKAGING
 - A: ALIGNMENT PIN (MOLDED OR STAKED) [SAMTEC DISCRETION ON WHICH -A PIN USED] (MOLDED 4 POS MIN, SEE FIG 6, SHT 2) (USE FTE-90-D-XX) (STAKED 7 POS MIN, SEE FIG 5, SHT 2) (USE FTE-90-D-A)
 - M: METAL PICK & PLACE PAD USE MPP-17-5 (SEE FIG 9 SHT 3) (10 POS. MIN, AVAILABLE IN -01 STYLE ONLY)
- FLEX SHROUD OPTIONS
- (STYLE -01 ONLY)
 - ES: END SHROUD [SAMTEC DISCRETION ON WHICH -ES USED] (SEE FIG 3, SHT 2 FOR SNAPPED-ON, 11 POSITIONS PER ROW MIN) (SEE FIG 8, SHT 2 FOR MOLDED, 5 POSITIONS PER ROW MIN) (SEE TABLE 2)
 - EC: END SHROUD WITH LOCKING CLIPS (SEE FIG. 7, SHT. 2) (11 POSITIONS PER ROW MIN)
 - EP: END SHROUD WITH GUIDE POSTS (SEE FIG. 4, SHT2) (11 POSITIONS PER ROW MIN)

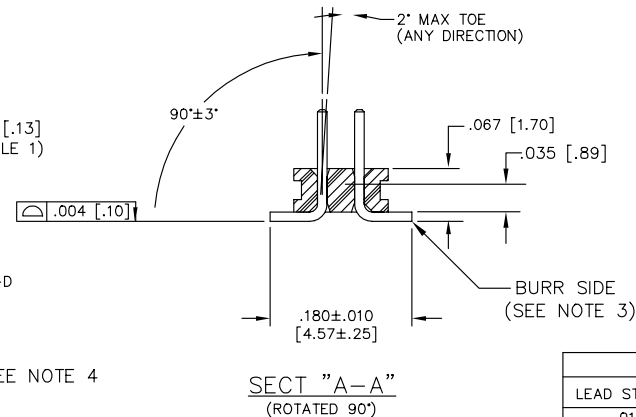


TABLE 1	
LEAD STYLE	POST HEIGHT
-01	.075
-02	.175
-03	.120

MATERIAL:
BODY: VECTRA E130
COLOR: BLACK

MAX BOW ALLOWED: .002 [.05]
MAX FLASH ALLOWED: .002 [.05]
MAX GATE VESTIGE ALLOWED: .002 [.05]

PLOT SCALE: 1 = .125

samtec

520 PARK EAST BLVD. NEW ALBANY, INDIANA 47150
PHONE (812) 944-6733 P.O. BOX 1147
CODE 55322

MADE BY: BRATCHER 8-30-95

FTE-1XX-XX-X-DV-XX-XX
SHEET 1 OF 3

PROPRIETARY NOTE
THIS DOCUMENT CONTAINS INFORMATION CONFIDENTIAL AND PROPRIETARY TO SAMTEC INC. AND SHALL NOT BE REPRODUCED OR TRANSMITTED TO OTHER DOCUMENTS OR INCORPORATED OR USED FOR ANY PURPOSE OTHER THAN THAT FOR WHICH IT WAS OBTAINED WITHOUT THE EXPRESSED WRITTEN CONSENT OF SAMTEC INC.