

STYLE	TABLE 1						MATED HEIGHT WITH QSH-01
	"A"	"B"	BODY (-LC)	BODY (-A)	GROUND PLANE	TERMINAL	
-01	.1680[4.267]	.1600[4.064]	QTH-30-01-D-XX	QTH-30-01-D-XX-A	T-1G1-01-X	T-1S39-01-X	.197[5.00] REF
-02	.2861[7.267]	.2781[7.064]	QTH-30-02-D-XX	QTH-30-02-D-XX-A	T-1G1-02-X	T-1S59-02-X	.315[8.00] REF

DO NOT SCALE FROM THIS PRINT

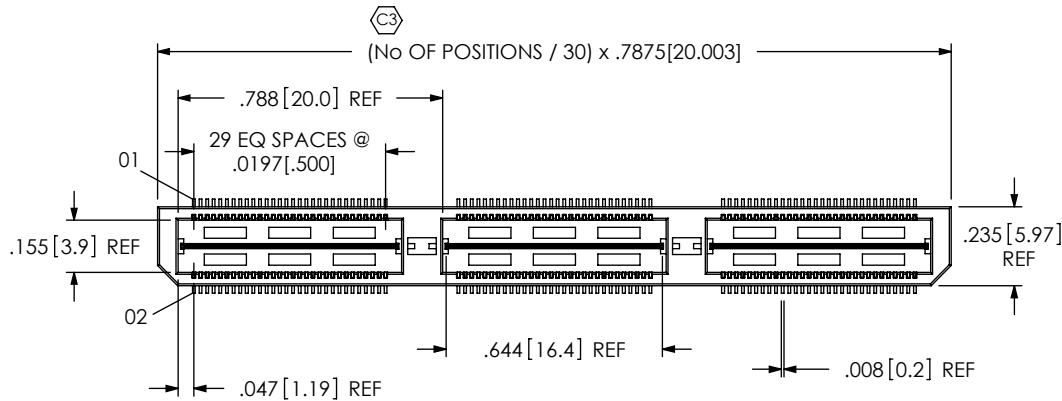
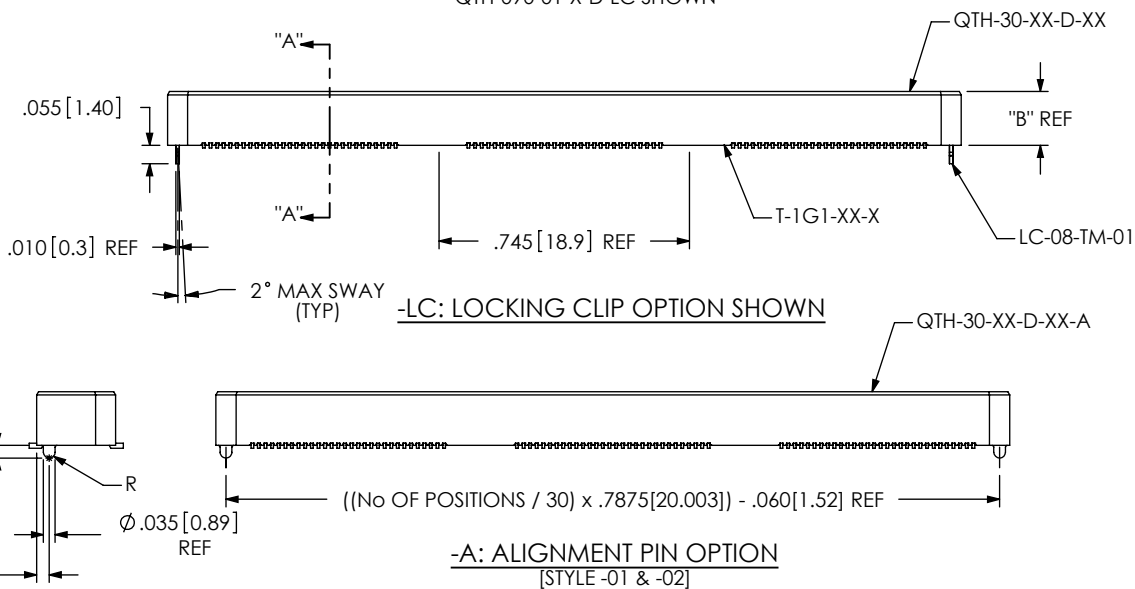


FIG. 1  
QTH-090-01-X-D-LC SHOWN



QTH-XXX-XX-X-D-XXX

No OF POSITIONS  
-030, -060, -090,  
\*.120, \*.150  
(PER ROW)  
\* (SEE NOTE 11)

LEAD STYLE

- 01: .1680[4.267]
- 02: .2861[7.264]
- 03: .4043[10.269]
- 04: .6001[15.246]
- 05: .7181[18.240]
- 06: .8361[21.237]
- 07: .9542[24.237]
- 08: 1.1511[29.238]
- 09: .5224[13.269]
- 10: .5618[14.269]

□ = SEE TABLE 4

PLATING SPECIFICATION

- F: FLASH SELECTIVE GOLD WITH MATTE TIN TAILS (USE T-1SXX-XX-F & T-1GX-XX-F) (SEE NOTE 7)
- L: LIGHT SELECTIVE GOLD WITH MATTE TIN TAILS (USE T-1SXX-XX-L & T-1GX-XX-L)
- H: HEAVY GOLD WITH FLASH GOLD TAILS (USE T-1SXX-XX-H & T-1GX-XX-G)
- C: ELECTRO-POLISHED SELECTIVE (USE T-1SXX-XX-C, T-1GX-XX-L)

OPTION

- LC: LOCKING CLIPS (USE LC-08-TM-01)
- A: ALIGNMENT PINS (USE QTH-30-XX-D-XX-A FOR -01 & -02) (FOR -03 THRU -10 SEE TABLE 4)
- K: POLYIMIDE FILM (USE K-DOT-.276-.375-.005) (AVAILABLE ON -01 THRU -04, -09 & -10 ONLY) (SEE FIG. 2, SHEET 2)
- TR: TAPE & REEL (90 POS MAX) (60 POS MAX W/ -GP OPTION) (N/A ON -05 THRU -08)
- GP: GUIDE POSTS (AVAILABLE ON -01 & -02 ONLY) (USE QTH-30-XX-D-XX-X-GP) (SEE FIG. 7, SHEET 4)
- FL: FRICTION LOCKS (SEE FIG. 8, SHEET 4) (ONLY AVAILABLE ON -01 & -02) (NOT AVAILABLE WITH -GP)
- RT1: RETENTION OPTION (SEE FIG. 9, SHEET 5) (ONLY AVAILABLE ON -01 LEAD STYLE) (MUST USE -A OPTION) (USE QTH-30-01-D-XX-A-RT1 & T-1R36-01-F) (NOT AVAILABLE WITH -LC, -GP, OR -FL)

ROW SPECIFICATION

- D: DOUBLE (USE QTH-30-XX-D-XX & QTHH-30-XX-D-XX)

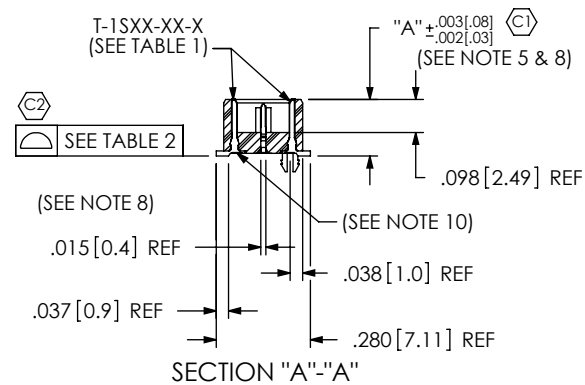
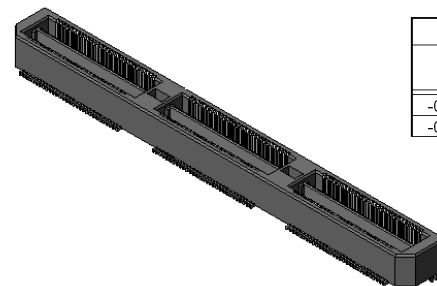


TABLE 2	
No OF POSITIONS	COPLANARITY (INCLUDING GP)
-030 THRU -060	.004 [ .10]
-090 THRU -150	.006 [ .15]



- NOTES:
- ⊙ REPRESENTS A CRITICAL DIMENSION.
  - MINIMUM PUSHOUT FORCE: 6 OZ FOR -01 & -02, 8 OZ FOR -03 THRU -10.
  - MINIMUM GROUND PLANE RETENTION: 1 LB.
  - PARTS TO BE MOLDED TO POSITION.
  - MAXIMUM VARIANCE OF .002[.05]. APPLIES TO SIGNAL OR GROUNDS INDEPENDENT OF THE GROUND OR SIGNAL PINS RESPECTIVELY.
  - LEAD STYLES -03 THRU -10: TOP BODY (QTH) CANNOT HAVE -A OPTION.
  - L PLATING CAN BE SUBSTITUTED FOR -F PLATING.
  - G PLATED GROUND PLANE CAN BE SUBSTITUTED FOR -F PLATED GROUND PLANE.
  - GROUND PLANE PRESS HEIGHT MUST BE .003 [.07] LESS THAN THE MAXIMUM HEIGHT OR .002[.03] GREATER THAN THE MINIMUM HEIGHT OF SIGNAL PIN.
  - T-1R36 RETENTION TO BODY TO BE 1.0 LBF.
  - CUT OFF BURR NOT TO EXCEED .003 IN ANY DIRECTION, BURR PLUS TAB HEIGHT NOT TO EXCEED .006.
  - FOR NEW APPLICATIONS REQUIRING THESE POSITIONS, PLEASE CONTACT SAMTEC INTERCONNECT PROCESSING GROUP.

UNLESS OTHERWISE SPECIFIED, DIMENSIONS ARE IN INCHES. TOLERANCES ARE: DECIMALS      ANGLES .XX: ±.01 [ .3] .XXX: ±.005 [ .13] .XXXX: ±.0020 [ .051]	PROPRIETARY NOTE THIS DOCUMENT CONTAINS INFORMATION CONFIDENTIAL AND PROPRIETARY TO SAMTEC, INC. AND SHALL NOT BE REPRODUCED OR TRANSFERRED TO OTHER DOCUMENTS OR DISCLOSED TO OTHERS OR USED FOR ANY PURPOSE OTHER THAN THAT WHICH IT WAS OBTAINED WITHOUT THE EXPRESSED WRITTEN CONSENT OF SAMTEC, INC.	520 PARK EAST BLVD, NEW ALBANY, IN 47150 PHONE: 812-944-6733 FAX: 812-948-5047 e-Mail: info@SAMTEC.com code: 53322

NOTE: "R" = (No OF POSITIONS / 30) x .7875[20.003]  
 WITH -RT1 OPTION: "R" = ((No OF POSITIONS / 30) x .7875[20.003] + .6505[16.522] REF  
 WITH -GP OPTION: "R" = ((No OF POSITIONS / 30) x .7875[20.003] + .5175[13.145] REF  
 "S" = (("R" - .276[7.01]) / 2) ±.020[.51]

TABLE 3	
STYLE	"T"
-01	.173[4.39]
-02	.291[7.39]
-03	.409[10.39]
-04	.605[15.37]
-09	.527[13.39]
-10	.566[14.39]

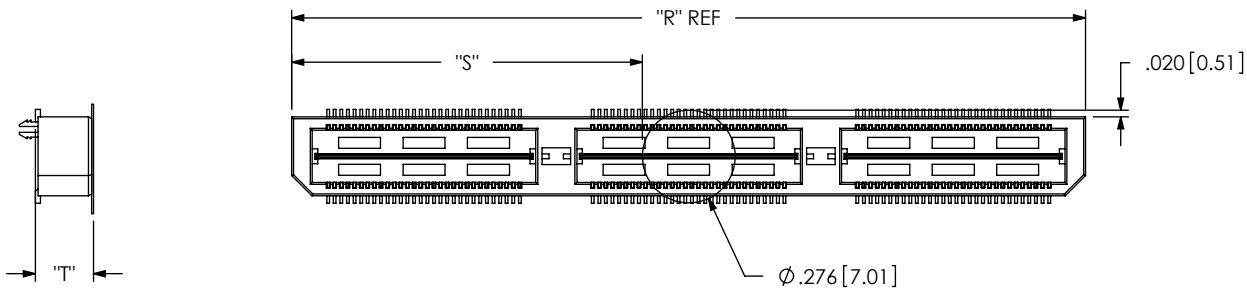


FIG. 2

-K: POLYIMIDE FILM PAD OPTION  
 [USE K-DOT-.276-.375-.005]

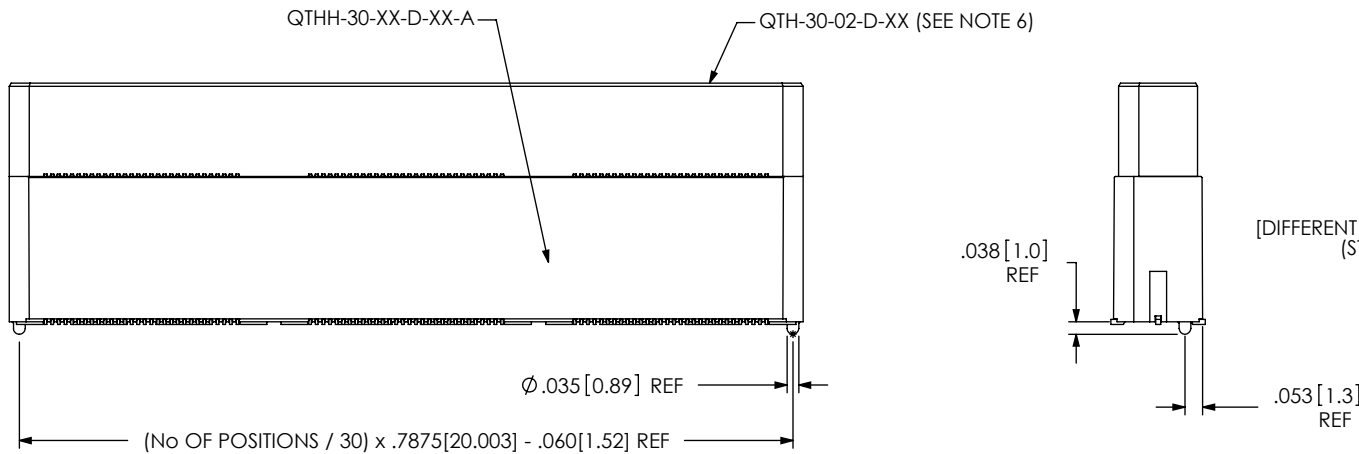


FIG. 3

-A: ALIGNMENT PIN OPTION  
 (QTH-090-05-X-D-A SHOWN)  
 [DIFFERENT AS SHOWN, OTHERWISE SAME AS FIG. 1]  
 (STYLES -03 THRU -09, SEE TABLE 4)

**PROPRIETARY NOTE**  
 THIS DOCUMENT CONTAINS INFORMATION  
 CONFIDENTIAL AND PROPRIETARY TO  
 SAMTEC, INC. AND SHALL NOT BE REPRODUCED  
 OR TRANSFERRED TO OTHER DOCUMENTS OR  
 DISCLOSED TO OTHERS OR USED FOR ANY  
 PURPOSE OTHER THAN THAT WHICH IT WAS  
 OBTAINED WITHOUT THE EXPRESSED WRITTEN  
 CONSENT OF SAMTEC, INC.



520 PARK EAST BLVD, NEW ALBANY, IN 47150  
 PHONE: 812-944-6733 FAX: 812-948-5047  
 e-Mail: info@SAMTEC.com code: 55322

DO NOT SCALE DRAWING

SHEET SCALE: 1:75:1

DESCRIPTION:  
 .5mm DOUBLE ROW HS TERMINAL ASSEMBLY

DWG. NO.  
**QTH-XXX-XX-X-D-XXX**

BY: DEAN P 5/27/1999 SHEET 2 OF 5

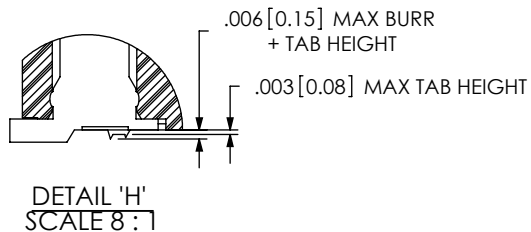
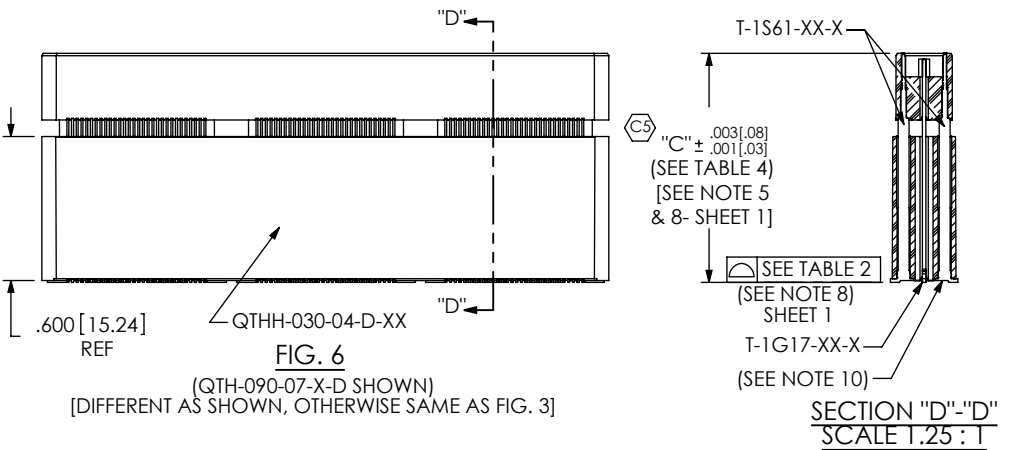
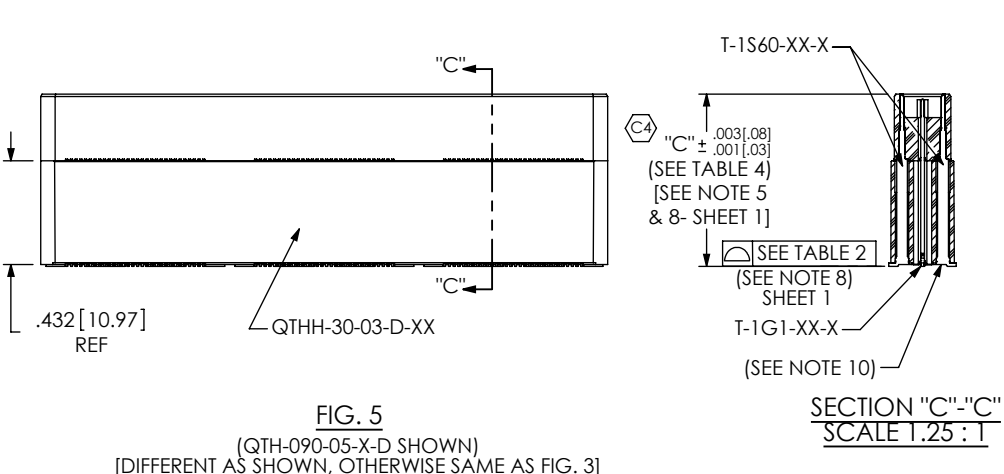
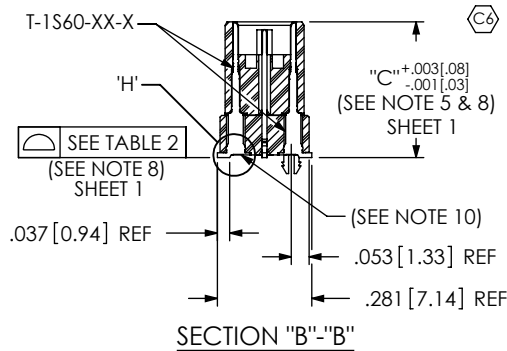
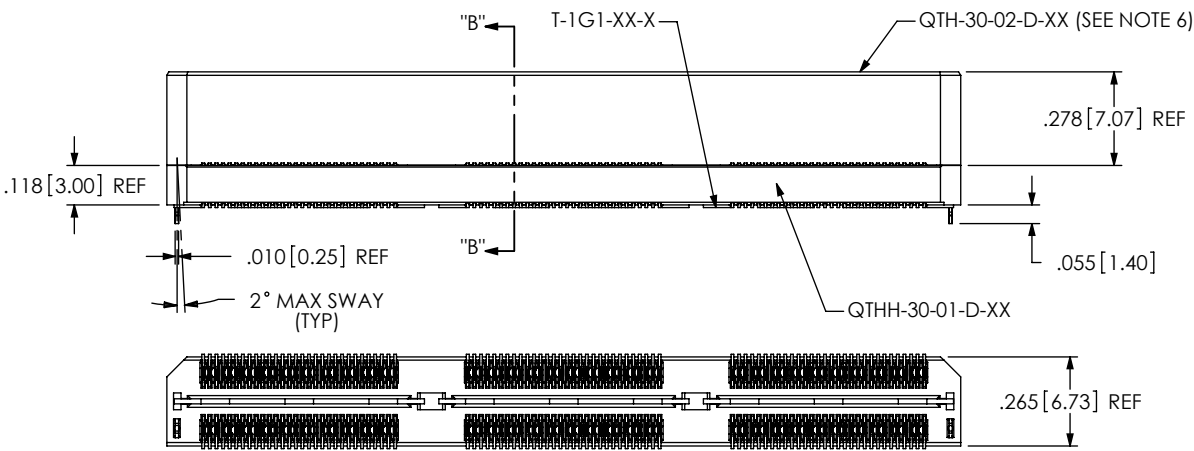


TABLE 4							
STYLE	SEE FIGURE	"C" OVERALL HEIGHT	GROUND PLANE	TERMINAL	TOP BODY (SEE NOTE 6)	BOTTOM SPACER BODY (-LC OR NONE)	BOTTOM SPACER BODY (-A)
-03	4	.4043 [10.269]	T-1G1-03-X	T-1S60-03-X	QTH-30-02-D-XX	QTHH-30-01-D-XX	QTHH-30-01-D-XX-A
-04	4	.6001 [15.246]	T-1G1-04-X	T-1S60-04-X	QTH-30-02-D-XX	QTHH-30-01-D-XX	QTHH-30-01-D-XX-A
-05	5	.7181 [18.240]	T-1G1-05-X	T-1S60-05-X	QTH-30-02-D-XX	QTHH-30-03-D-XX	QTHH-30-03-D-XX-A
-06	5	.8361 [21.237]	T-1G1-06-X	T-1S60-06-X	QTH-30-02-D-XX	QTHH-30-03-D-XX	QTHH-30-03-D-XX-A
-07	6	.9542 [24.237]	T-1G17-01-X	T-1S61-01-X	QTH-30-02-D-XX	QTHH-30-04-D-XX	QTHH-30-04-D-XX-A
-08	6	1.1511 [29.238]	T-1G17-02-X	T-1S61-02-X	QTH-30-02-D-XX	QTHH-30-04-D-XX	QTHH-30-04-D-XX-A
-09	4	.5224 [13.269]	T-1G1-09-X	T-1S60-09-X	QTH-30-01-D-XX	QTHH-30-01-D-XX	QTHH-30-01-D-XX-A
-10	4	.5618 [14.269]	T-1G1-10-X	T-1S60-10-X	QTH-30-02-D-XX	QTHH-30-01-D-XX	QTHH-30-01-D-XX-A



PROPRIETARY NOTE  
THIS DOCUMENT CONTAINS INFORMATION CONFIDENTIAL AND PROPRIETARY TO SAMTEC, INC. AND SHALL NOT BE REPRODUCED OR TRANSFERRED TO OTHER DOCUMENTS OR DISCLOSED TO OTHERS OR USED FOR ANY PURPOSE OTHER THAN THAT WHICH IT WAS OBTAINED WITHOUT THE EXPRESSED WRITTEN CONSENT OF SAMTEC, INC.

DO NOT SCALE DRAWING

SHEET SCALE: 1:75:1

**samtec**

520 PARK EAST BLVD, NEW ALBANY, IN 47150  
PHONE: 812-944-6733 FAX: 812-948-5047  
e-Mail: info@SAMTEC.com code: 55322

DESCRIPTION:  
.5mm DOUBLE ROW HS TERMINAL ASSEMBLY

DWG. NO. QTH-XXX-XX-X-D-XXX

BY: DEAN P 5/27/1999 SHEET 3 OF 5

FIG. 7

(QTH-090-01-X-D-GP SHOWN)  
 [DIFFERENT AS SHOWN, OTHERWISE SAME AS FIG. 1]  
 (AVAILABLE ON -01 & -02 ONLY)

TABLE 5		
STYLE	"D"	BODY
-01	.363[9.22]	QTH-30-01-D-XX-X-GP
-02	.481[12.22]	QTH-30-02-D-XX-X-GP

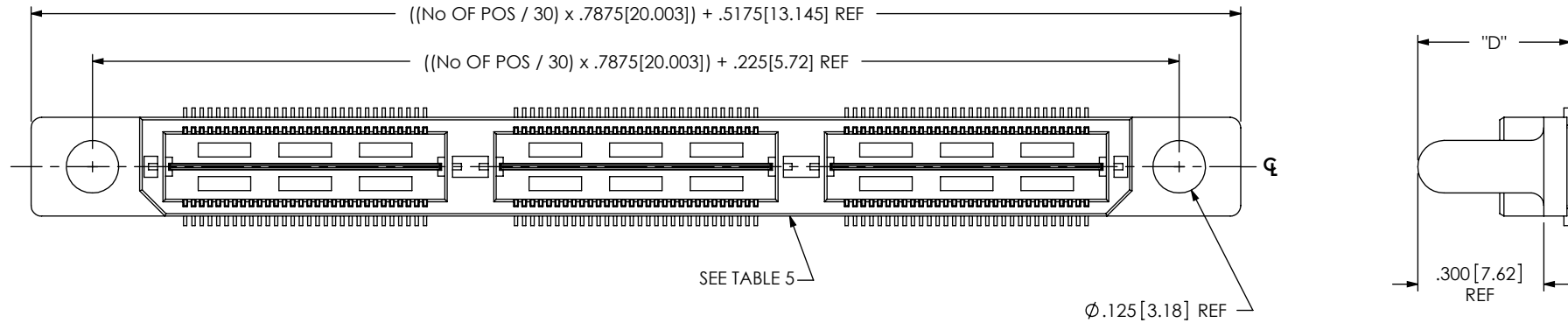
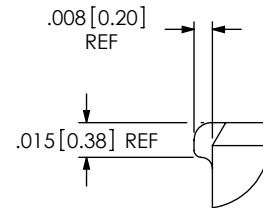
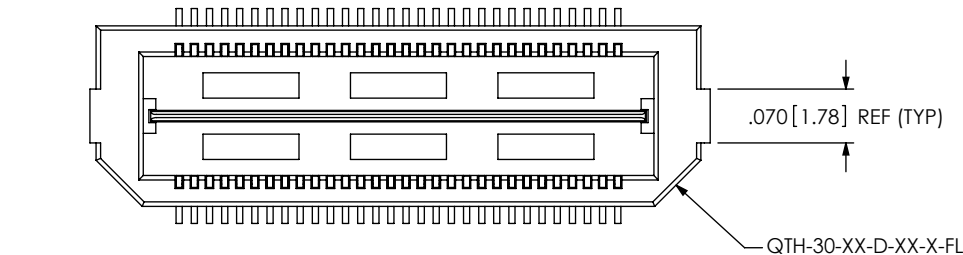
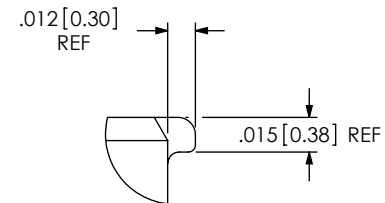


FIG. 8

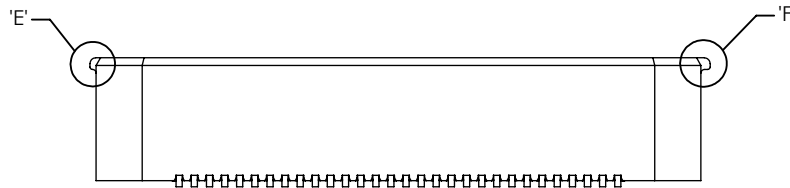
-FL: FRICTION LOCKS  
 (ONLY AVAILABLE ON -01 & -02 LEAD STYLES)  
 (NOT AVAILABLE WITH -GP OPTION)  
 (SAME AS FIG. 1, UNLESS OTHERWISE STATED)



DETAIL 'E'  
 SCALE 12:1



DETAIL 'F'  
 SCALE 12:1



**PROPRIETARY NOTE**  
 THIS DOCUMENT CONTAINS INFORMATION  
 CONFIDENTIAL AND PROPRIETARY TO  
 SAMTEC, INC. AND SHALL NOT BE REPRODUCED  
 OR TRANSFERRED TO OTHER DOCUMENTS OR  
 DISCLOSED TO OTHERS OR USED FOR ANY  
 PURPOSE OTHER THAN THAT WHICH IT WAS  
 OBTAINED WITHOUT THE EXPRESSED WRITTEN  
 CONSENT OF SAMTEC, INC.

DO NOT SCALE DRAWING

SHEET SCALE: 2.5:1

**samtec**

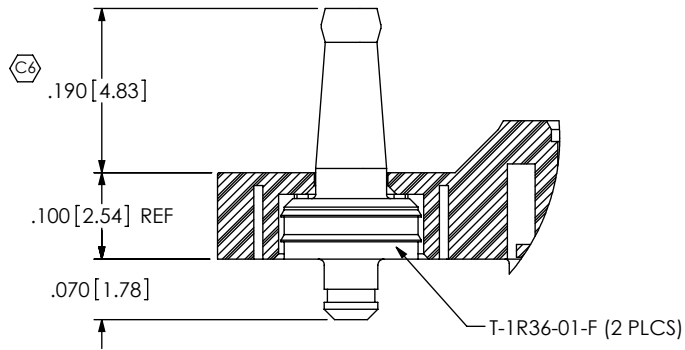
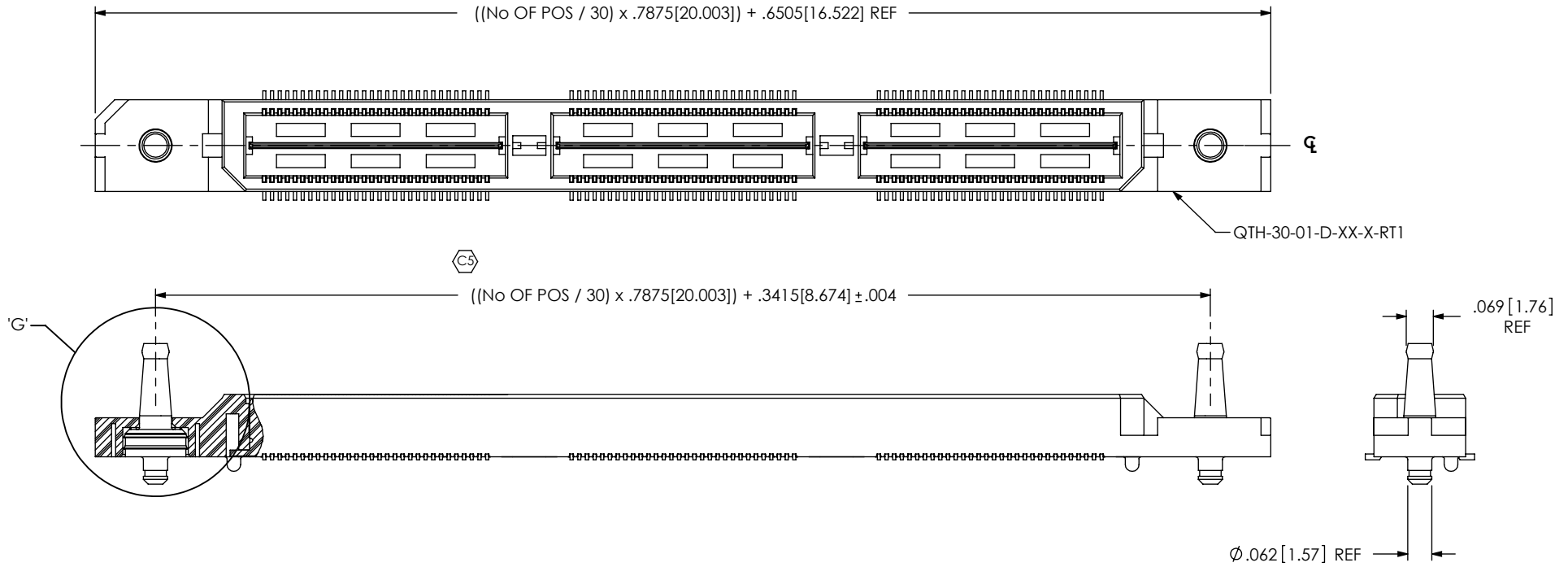
520 PARK EAST BLVD, NEW ALBANY, IN 47150  
 PHONE: 812-944-6733 FAX: 812-948-5047  
 e-Mail: info@SAMTEC.com code: 55322

DESCRIPTION:  
 .5mm DOUBLE ROW HS TERMINAL ASSEMBLY

DWG. NO. QTH-XXX-XX-X-D-XXX

BY: DEAN P 5/27/1999 SHEET 4 OF 5

FIG. 9  
 (QTH-090-01-X-D-A-RT1 SHOWN)  
 [NOT AVAILABLE WITH -LC, -GP, OR -FL OPTIONS]  
 (AVAILABLE ON -01 ONLY)



DETAIL 'G'  
 SCALE 4.5: 1

PROPRIETARY NOTE  
 THIS DOCUMENT CONTAINS INFORMATION  
 CONFIDENTIAL AND PROPRIETARY TO  
 SAMTEC, INC. AND SHALL NOT BE REPRODUCED  
 OR TRANSFERRED TO OTHER DOCUMENTS OR  
 DISCLOSED TO OTHERS OR USED FOR ANY  
 PURPOSE OTHER THAN THAT WHICH IT WAS  
 OBTAINED WITHOUT THE EXPRESSED WRITTEN  
 CONSENT OF SAMTEC, INC.

DO NOT SCALE DRAWING

SHEET SCALE: 2.5:1



520 PARK EAST BLVD, NEW ALBANY, IN 47150  
 PHONE: 812-944-6733 FAX: 812-948-5047  
 e-Mail: info@SAMTEC.com code: 55322

DESCRIPTION:  
 .5mm DOUBLE ROW HS TERMINAL ASSEMBLY

DWG. NO.  
 QTH-XXX-XX-X-D-XXX

BY: DEAN P 5/27/1999 SHEET 5 OF 5