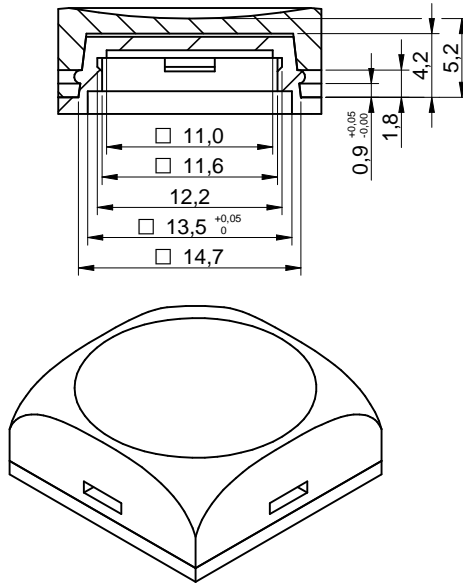


sectional drawing A-A



**MATERIAL:**

>Cap: PC UL HB

>Diffuser Plate : PC UL HB

**MOUNTING INSTRUCTION:**

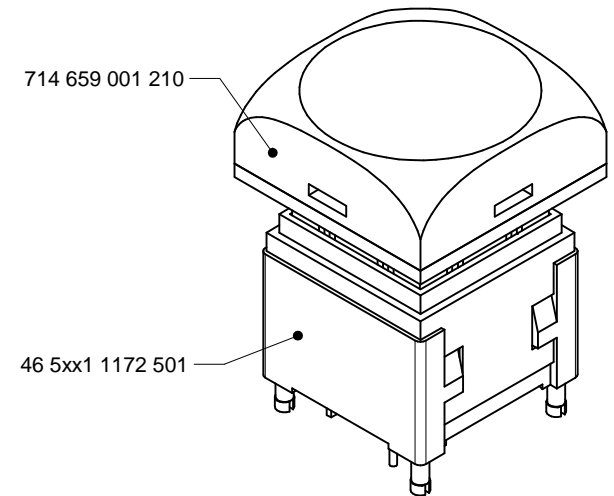
>This part number is include the cap and diffuser plate as 1 set. It's not recommended to remove the diffuser plate away.

>Our Switch plunger is design with 2 tabs and cap with 4 notches. All 4 directions can be assemble on the plunger.

>By install the cap, please put the cap on strait vertical down to the plunger. By hearing a crispy sound, the cap is latched.

>If you need to remove the cap, please use with your finger (nails) to pull up one side of the cap.

Part number	Laser carving sign	Base Color
714 659 001 210	No	transparent



Scale - 2:1

This electronic component is designed and developed with the intention for use in general electronics equipments.

Before incorporating the components into any equipments in the field such as aerospace, aviation, nuclear control, submarine, transportation, (automotive control, train control, ship control), transportation signal, disaster prevention, medical, public information network etc. where higher safety and reliability are especially required or if there is possibility of direct damage or injury to human body, Würth Elektronik must be asked for a written approval.

In addition, even electronic component in general electronic equipments, when used in electrical circuits that require high safety, reliability functions or performance, the sufficient reliability evaluation-check for the safety must be performed before by the user before usage.

Projection				GENERAL TOLERANCE DIN ISO 2768 T1m			Basic material				
				Date	Name	DESCRIPTION					
				Drawn	15-07-22	Fandrey	AssSw				
				Checked	15-07-22	Hsu	Caps for 15*15mm illuminated Push Button switch WS-PBTL				
							Scale	2:1	Position		SIZE
							Drawing.- No. 714659001210				A4
REV	FILE	DATE	BY					System: Solid Edge ST6			