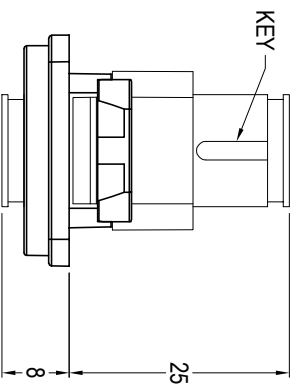
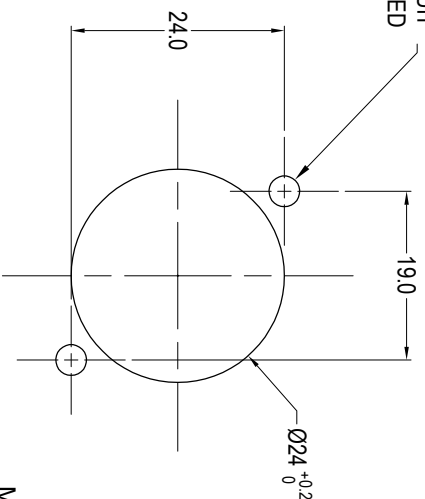


PANEL CUTOUT
MAXIMUM PANEL
THICKNESS 3mm

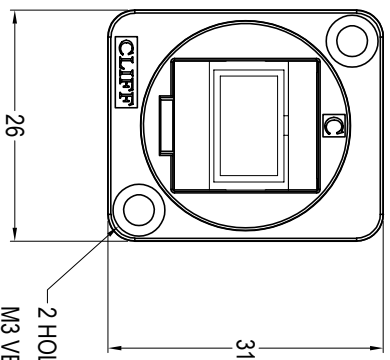
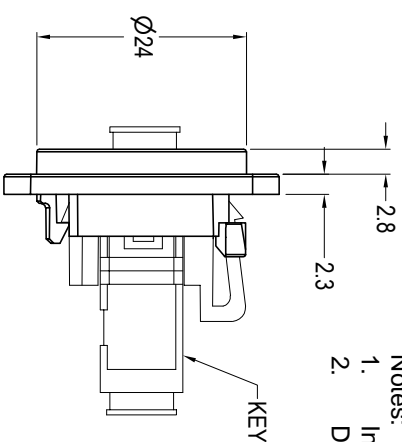
HOLES TO SUIT
SCREW USED



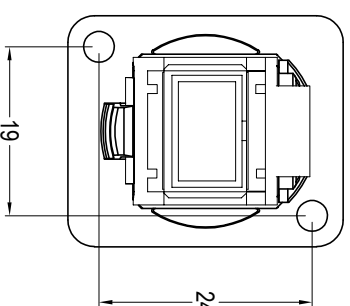
VARIANTS	
PART NO.	SOLE DETAILS
CP30249MB	HOLE Ø3.50 X CSK 82° X Ø5.85
CP30249M3B	M3 HOLES

- Material:
1. Coupler Body: PBT
 2. Sleeve: Ceramic
 3. Dust Cover: ABS
 4. Insert: ABS/PC
 5. Frame: Black Nickel plated zinc diecast

- Notes:
1. Insertion Loss: ≤0.3dB
 2. Dust caps may vary



2 HOLES: Ø3.5mm CSK 82° x Ø5.85
M3 VERSION HAS M3 THREAD HOLES.



ROHS
COMPLIANT

TOLERANCE
NO DEC. PLACE ±
1 DEC. PLACE ±
2 DEC. PLACE ±
HOLE Ø ±
ANGLES ±
UNLESS
OTHERWISE STATED

DO NOT SCALE

Cliff Electronic Components Ltd.
76 Holmechoupe Avenue, Holmechoupe Industrial Estate,
Redhill, Surrey, RH1 2PF, England UK
Tel: 01737-771375 Fax: 01737-766012 Website: www.cliffuk.co.uk

DIMENSIONS IN MILLIMETERS UNLESS OTHERWISE STATED. WORK TO DIMENSIONS. REMOVE ALL BURRS. IF IN DOUBT ASK
MATERIAL: See Notes
FINISH: See Notes
DRAWN: D.P.J. APPROVED: D.P.J.

3rd ANGLE PROJECTION: TITLE: FT BLACK METAL SC APC SIMPLEX ADAPTOR (GREEN)
DRWG. No. **CP30249MB** FORM: A4DRWGH

THE CONTENTS OF THIS DOCUMENT MUST NOT BE COPIED OR DISCLOSED TO A 3rd PARTY WITHOUT WRITTEN PERMISSION OF CLIFF UK © 2021

ISS.	AMEND	DATE
1	ISSUED	27/04/21