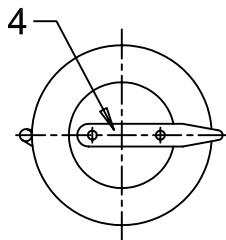
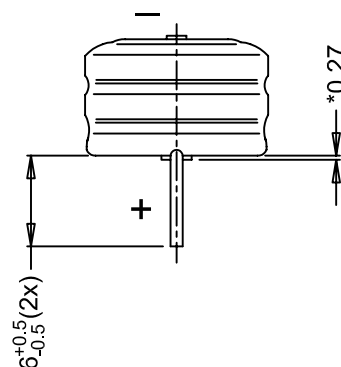
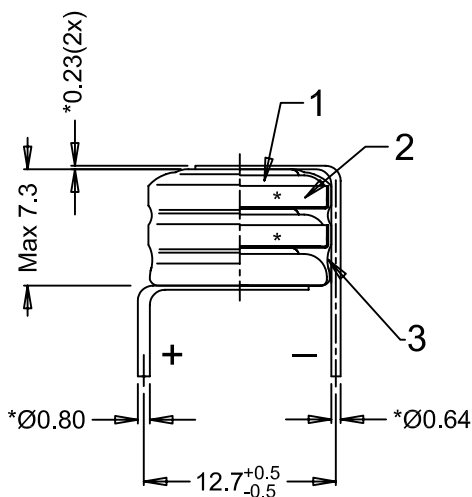
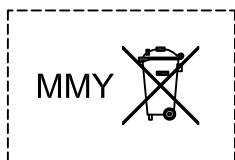
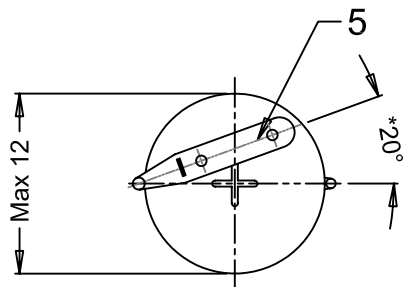


This is controlled document.
 Hardcopy to be endorsed by authorized person.
 Check with Issuing Officer or SAP system for latest update.



Note : 1) Dimensions for reference only.

Approx. wt : 3 g

2) Battery with PET green sleeve & white printing

3) Battery with non-Standard configuration, different material type & diameter of terminal pins.

No	AO No	Revisions	Date	Name
2	R111/08	To add in printed sleeve the crossed-out wheeled bin symbol	2008-05-07	Eka
1	R162/05	Sleeve to be PET was PVC (item #2) & add note item # 3	2005-11-15	TitisWS
0	041/05	Refer to Provisional drawing # P04-00047, Rev. 001	2005-07-01	TitisWS

Projection:		Material: Refer to part list no: 692168		Description: 3/V18HRT SK S TP NS with sleeve & terminal pins		
Dimensions in mm		Prepared & Checked 2005-07-01 TitisWS		Verified & Approved		Dwg. No: 692168
Tolerance: As specified		2005-07-01 TitisWS		VKB Order No: 55802 303 013		402
Scale: 2 : 1						

Rights reserved to make technical changes, as a result of further development, without notice. This drawing is the property of VARTA Microbattery and must not be copied or disclosed to a third party without the written consent of VARTA Microbattery.

