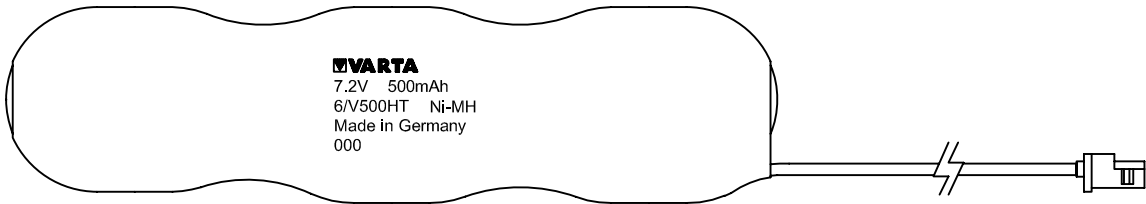
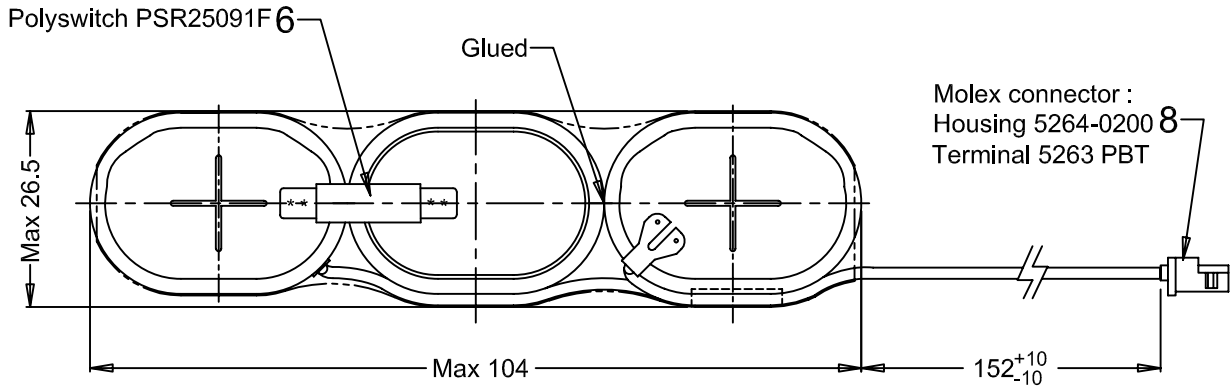
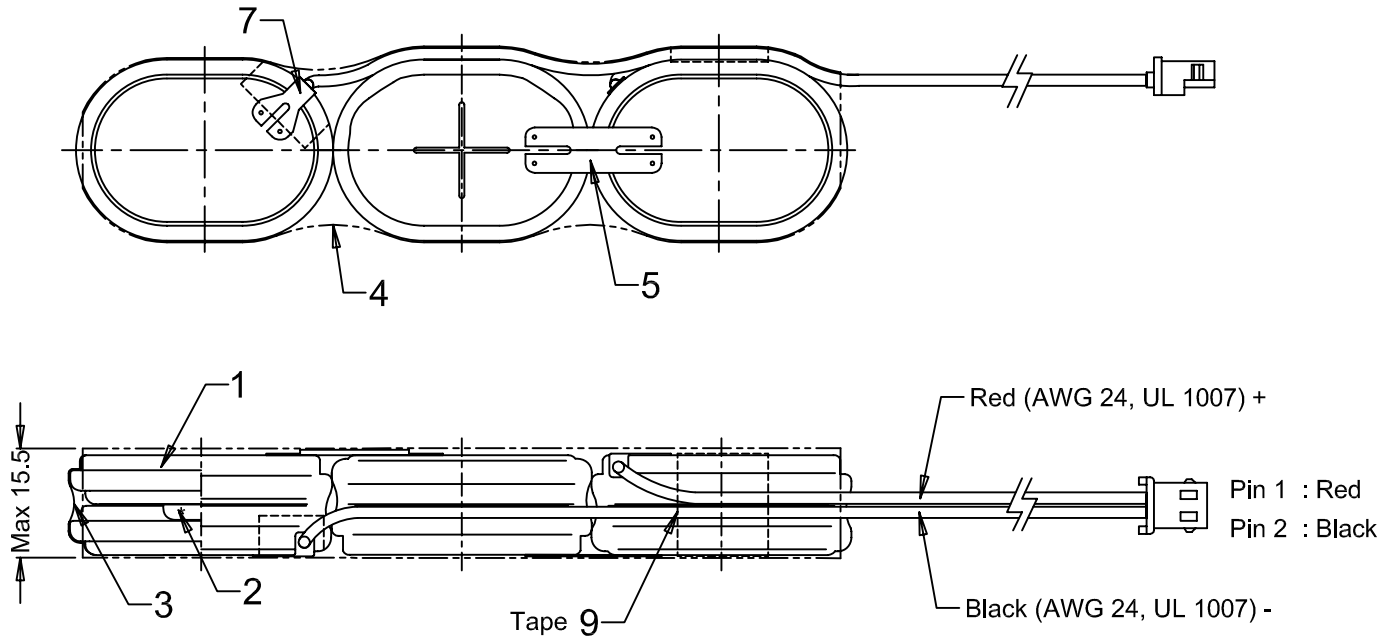


VARTA Microbattery

mobility for you

This is a controlled document.
 Hardcopy to be endorsed by authorized person.
 Check with Issuing Office or SAP system for latest update.



- Note : 1) Battery is totally insulated
 2) **Battery with non-standard polarity**
 3) Cell deflection space of 1.2mm/cell is needed in case of abusive conditions.
 Please consult Varta for more details.

Approx. wt : 90 g

0	049/06	Refer to p/n: P06-00194, rev. 000	2006-10-31	Ratna
No	AO No	Revisions	1	Date Name

Projection:	Material: Refer to part list no: 696259	Description: 6/V500HT LS S WC with sleeve & wires connector
Dimensions in mm	Prepared & Checked 2006-10-31 Ratna	Verified & Approved
Tolerance: As specified		Dwg. No: 696259
Scale: 1 : 1		VKB Order No: 55750 406 013

Rights reserved to make technical changes, as a result of further development, without notice. This drawing is the property of VARTA Microbattery and must not be copied or disclosed to a third party without the written consent of VARTA Microbattery.

