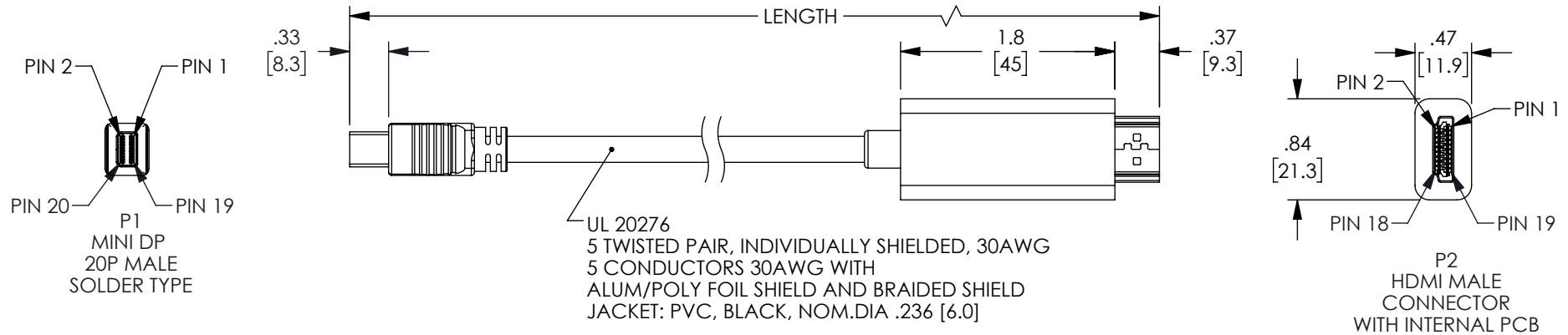
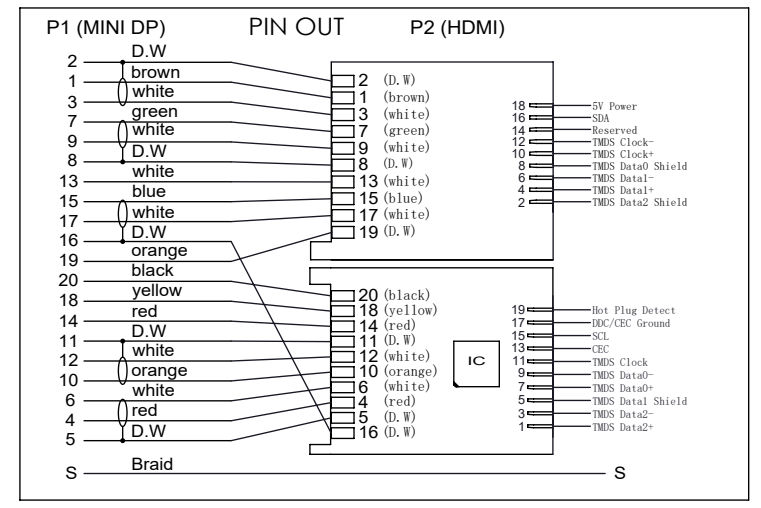
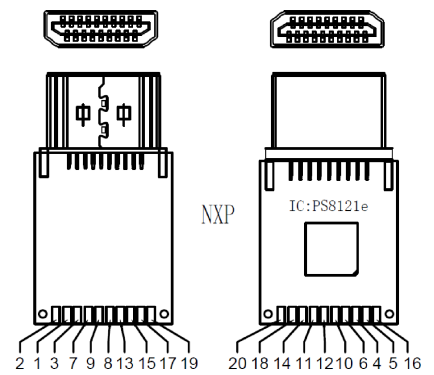


THE INFORMATION CONTAINED IN THIS DRAWING IS THE SOLE PROPERTY OF L-COM, INC. ANY REPRODUCTION IN PART OR WHOLE WITHOUT THE WRITTEN PERMISSION OF L-COM, INC. IS PROHIBITED.

| REVISIONS | | | |
|-----------|-----------------|------------|------------|
| REV | DESCRIPTION | DATE | APPROVED |
| A | INITIAL RELEASE | 09/30/2020 | MBLACKWOOD |
| | | | |
| | | | |



| PART NUMBER | LENGTH(mm) |
|-------------|---------------|
| VPA00005-1M | 1000.0 ± 30.0 |
| VPA00005-3M | 3000.0 ± 80.0 |



- NOTES:
- ALL DIMENSIONS ARE FOR REFERENCE ONLY.
 - ELECTRICAL TEST: 100% DP TO HDMI 2160P TEST
 - SIGNAL SOURCE RESOLUTION UXGA: 3840 x 2160P.
 - THERE SHALL BE NO SIGNAL JITTER, DRAGGING IN THE VIDEO, GHOSTING, LACK OF COLOR, OR ANY OTHER ABNORMAL DISPLAY.
 - AUDIO SHALL HAVE SOUND CLEAR.
 - PACKAGE: COMPONENT SHALL BE PACKAGED IN ACCORDANC: WITH A LSP-010-2 LABEL ON THE BAG.
 - DUST CAPS INSTALLED AT SHIPPING, NOT SHOWN.

| | | | | |
|--|--|----------------------------|---------------------------|---|
| UNLESS OTHERWISE SPECIFIED, DIMENSIONS ARE IN INCHES [mm] OVERALL CABLE LENGTH TOLERANCE: ≤12 [305] = +1 [25] / -0 >12 [305] ≤60 [1524] = +2 [51] / -0 >60 [1524] ≤120 [3048] = +4 [102] / -0 >120 [3048] ≤300 [7620] = +6 [152] / -0 >300 [7620] = +5% / -0 ALL OTHER DIMENSIONAL TOLERANCES: .X = ± .2 [5] FRACTIONS ± 1/32 .XX = ± .02 [5] ANGLES ± 1° .XXX = ± .005 [13] | APPROVALS | DATE | an INFINIT® brand | 50 High Street, West Mill, North Andover, MA 01845 USA. Phone: 1.800.341.5266 1.978.682.6936 |
| | DRAWN BY DZINN | 09/30/2020 | | |
| APPROVED BY MBLACKWOOD | 09/30/2020 | CATEGORY VIDEO | | PRODUCT DESCRIPTION MINI-DP TO HDMI |
| THIRD-ANGLE PROJECTION | CONFIGURATION DETAILS OF UNDIMENSIONED FEATURES MAY VARY | COLOR VARIATIONS MAY OCCUR | SIZE A | CAGE CODE 43321 |
| ITEM NO. VPA00005 | | SCALE: NONE | CAD FILE: VPA00005.SLDDRW | SHEET 1 OF 1 |