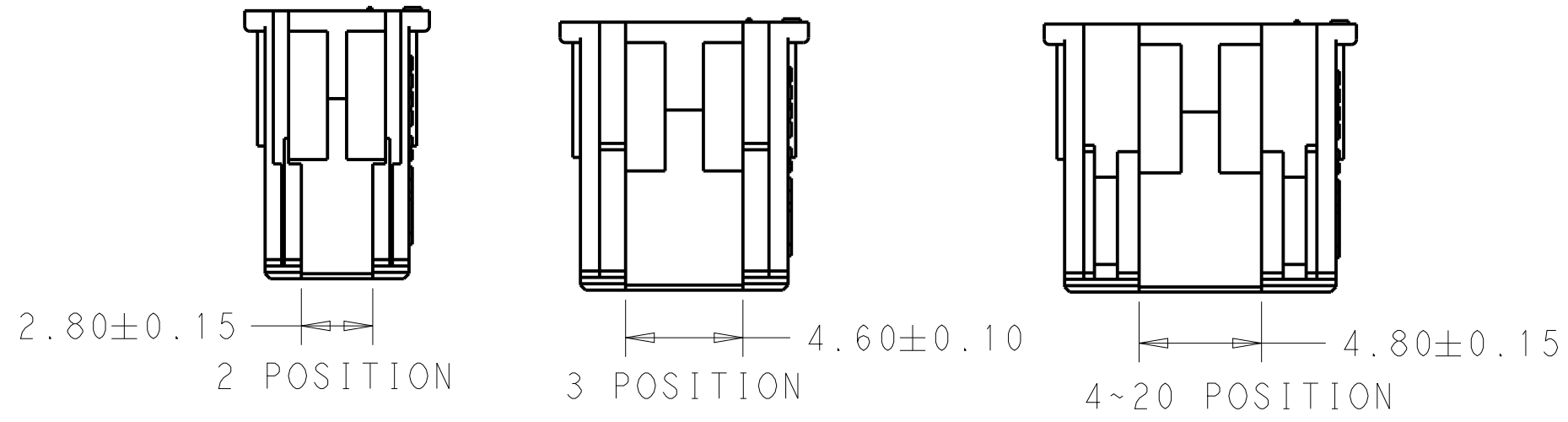
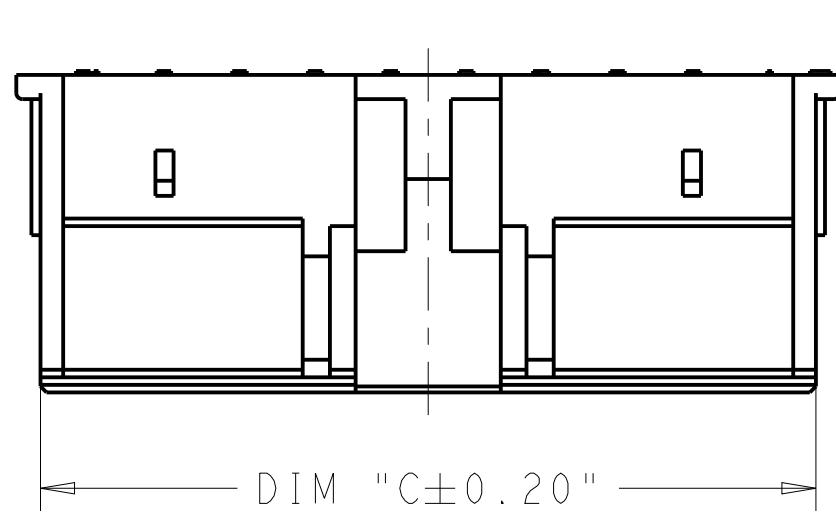
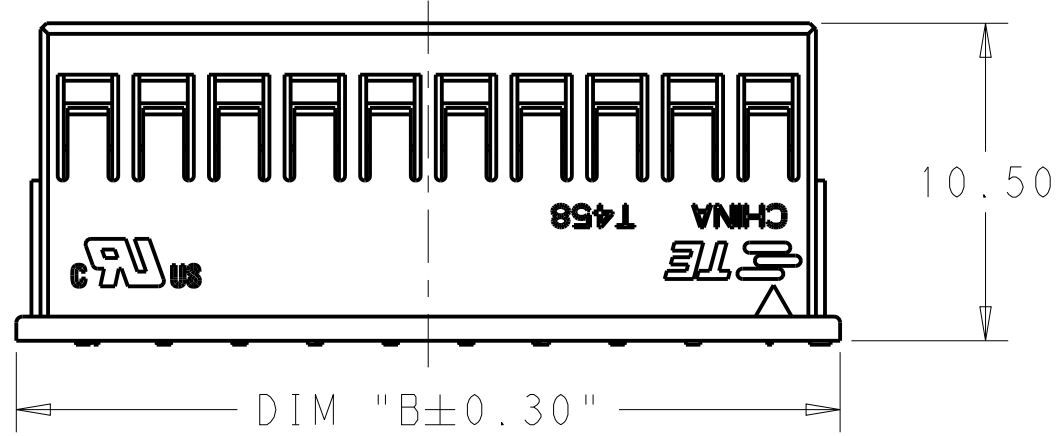
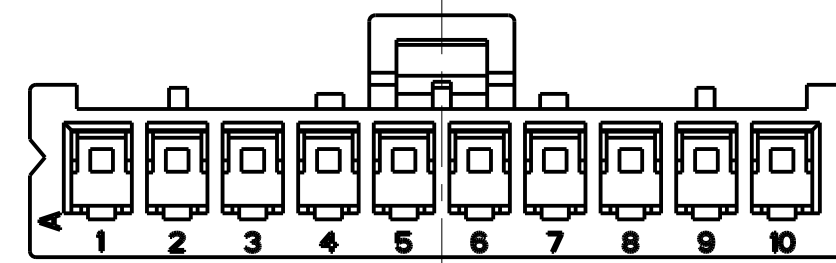
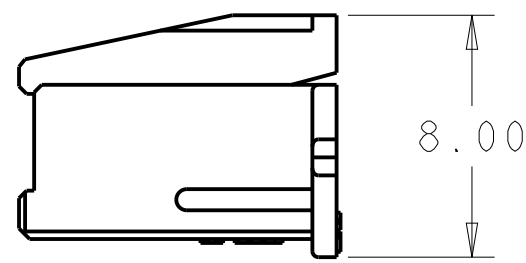
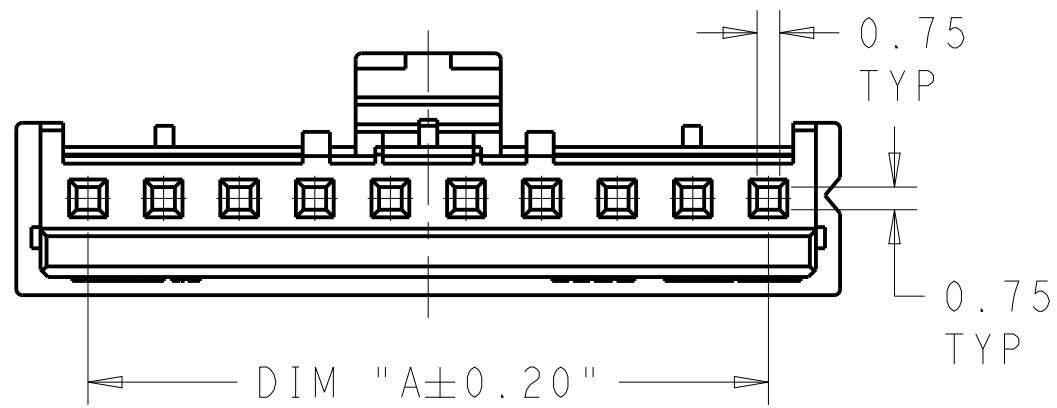


THIS DRAWING IS UNPUBLISHED. RELEASED FOR PUBLICATION
 © COPYRIGHT copyright.d8te- ALL RIGHTS RESERVED.

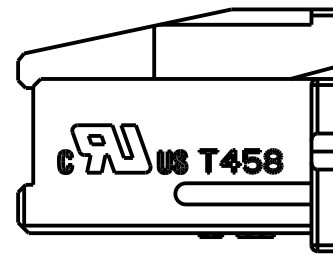
| REVISIONS | | | | |
|-----------|-----|---------------------------|-----------|-------|
| P | LTR | DESCRIPTION | DATE | APVD |
| C1 | | REVISED PER ECR-21-100237 | 22JAN2021 | SK DZ |



- 1 MATERIAL: NYLON UL94V-0
- 2 ACCEPTS TE RECEPTACLE P/N'S 2110989-()
- 3 THESE HOUSINGS CAN ACCEPT OPTIONAL TPA (RETAINER) P/N 1969443-().
- 4 MATES WITH TE HEADER ASSEMBLIES 2132230-() & 2132415-().

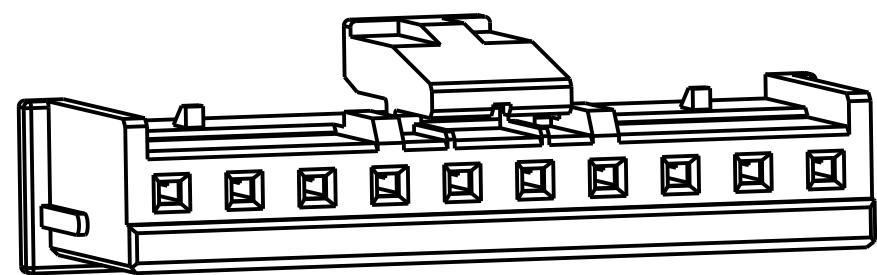


LOCATION FOR 4~20 POSITION PARTS



ALTERNATE LOCATION FOR 2 AND 3 POSITION PARTS

| COLOR | DIM C | DIM B | DIM A | NO. OF POSITIONS | PART NUMBER |
|---------|-------|-------|-------|------------------|-------------|
| NATURAL | 50.64 | 52.3 | 47.5 | 20 | 2-1969442-0 |
| NATURAL | 48.14 | 49.8 | 45.0 | 19 | 1-1969442-9 |
| NATURAL | 45.64 | 47.3 | 42.5 | 18 | 1-1969442-8 |
| NATURAL | 43.14 | 44.8 | 40.0 | 17 | 1-1969442-7 |
| NATURAL | 40.64 | 42.3 | 37.5 | 16 | 1-1969442-6 |
| NATURAL | 38.14 | 39.8 | 35.0 | 15 | 1-1969442-5 |
| NATURAL | 35.64 | 37.3 | 32.5 | 14 | 1-1969442-4 |
| NATURAL | 33.14 | 34.8 | 30.0 | 13 | 1-1969442-3 |
| NATURAL | 30.64 | 32.3 | 27.5 | 12 | 1-1969442-2 |
| NATURAL | 28.14 | 29.8 | 25.0 | 11 | 1-1969442-1 |
| NATURAL | 25.64 | 27.3 | 22.5 | 10 | 1-1969442-0 |
| NATURAL | 23.14 | 24.8 | 20.0 | 9 | 1969442-9 |
| NATURAL | 20.64 | 22.3 | 17.5 | 8 | 1969442-8 |
| NATURAL | 18.14 | 19.8 | 15.0 | 7 | 1969442-7 |
| NATURAL | 15.64 | 17.3 | 12.5 | 6 | 1969442-6 |
| NATURAL | 13.14 | 14.8 | 10.0 | 5 | 1969442-5 |
| NATURAL | 10.64 | 12.3 | 7.5 | 4 | 1969442-4 |
| NATURAL | 8.14 | 9.8 | 5.0 | 3 | 1969442-3 |
| NATURAL | 5.64 | 7.3 | 2.5 | 2 | 1969442-2 |



THIS DRAWING IS A CONTROLLED DOCUMENT. DWN: JR RUTH 09SEP2016
 CHK: TOM MICHIELUTTI 27FEB14
 APVD: TOM MICHIELUTTI 27FEB14

TE Connectivity
STE
 ECONOMY POWER 2.5 TPA HOUSING

PRODUCT SPEC: 108-2418
 APPLICATION SPEC: 114-13315

SIZE: A2 CAGE CODE: - DRAWING NO: C-1969442
 SCALE: N/A SHEET 1 OF 1 REV: C1

RESTRICTED TO: -

Customer Drawing