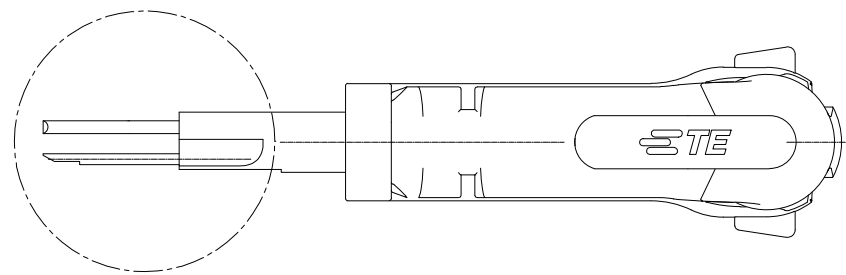
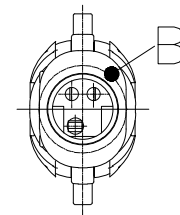


REVISIONS

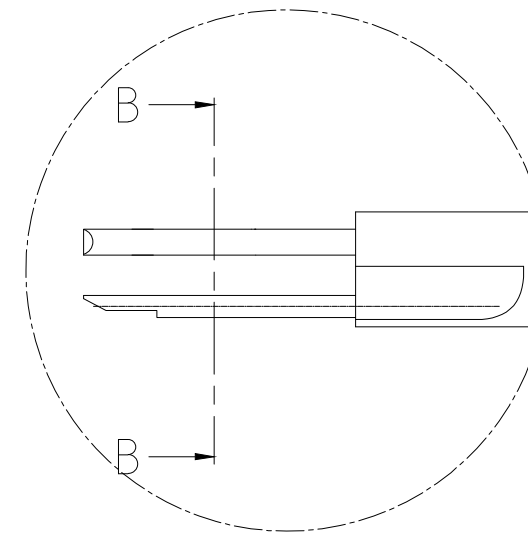
P	LTR	DESCRIPTION	DATE	DWN	APVD
	A3	ECR-19-013613	30AUG2019	PNT	GS



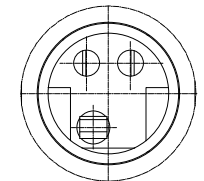
A



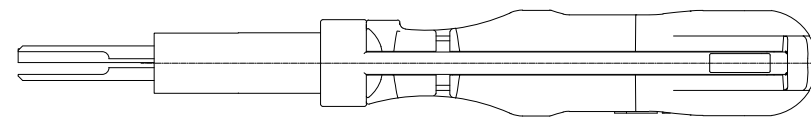
B



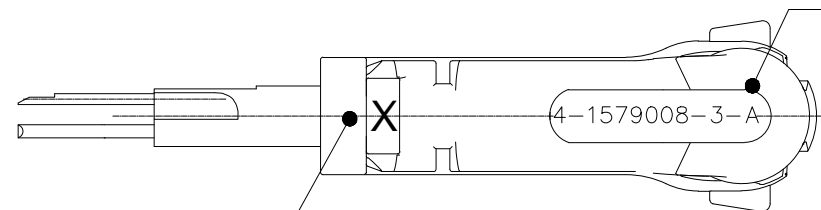
A
2:1



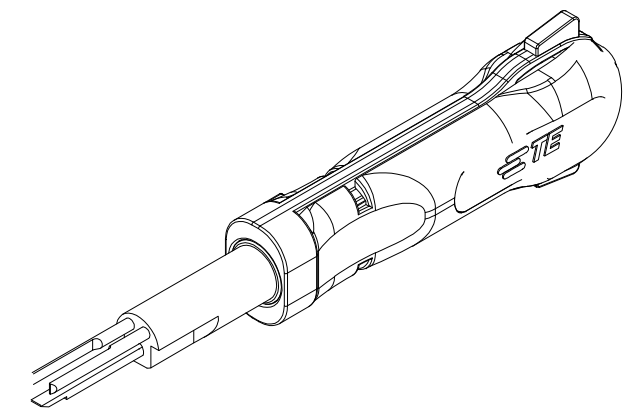
B
2:1



TOOL NUMBER
Werkzeugnummer
H=4mm


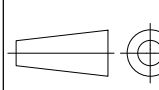


ITEM NUMBER
Art-Nr H=3mm



FOR CONTACTS / HOUSINGS:

SPT (in relay holder)

THIS DRAWING IS A CONTROLLED DOCUMENT.		DWN m. pearson 06.11.2006	 TE Connectivity																		
<table border="1"> <tr> <th>DIMENSIONS:</th> <th>TOLERANCES UNLESS OTHERWISE SPECIFIED:</th> </tr> <tr> <td>mm</td> <td></td> </tr> <tr> <td>0 PLC</td> <td>± -</td> </tr> <tr> <td>1 PLC</td> <td>± -</td> </tr> <tr> <td>2 PLC</td> <td>± -</td> </tr> <tr> <td>3 PLC</td> <td>± -</td> </tr> <tr> <td>4 PLC</td> <td>± -</td> </tr> <tr> <td>ANGLES</td> <td>± -</td> </tr> </table>		DIMENSIONS:				TOLERANCES UNLESS OTHERWISE SPECIFIED:	mm		0 PLC	± -	1 PLC	± -	2 PLC	± -	3 PLC	± -	4 PLC	± -	ANGLES	± -	CHK G. Stegmayer 26AUG2016
DIMENSIONS:	TOLERANCES UNLESS OTHERWISE SPECIFIED:																				
mm																					
0 PLC	± -																				
1 PLC	± -																				
2 PLC	± -																				
3 PLC	± -																				
4 PLC	± -																				
ANGLES	± -																				
		APVD G. Stegmayer 26AUG2016	EXTRACTION TOOL Entriegelungswerkzeug																		
MATERIAL		PRODUCT SPEC	SIZE	CAGE CODE	DRAWING NO	RESTRICTED TO															
FINISH		APPLICATION SPEC	0,010kg	A3 00779	C-4-1579008-3	-															
CUSTOMER DRAWING			SCALE	SHEET	REV																
			1:1	1 OF 1	A3																