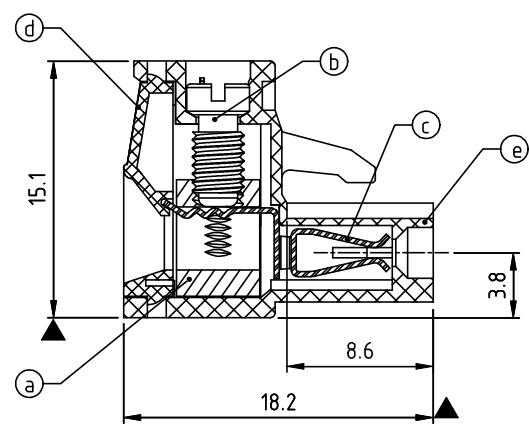
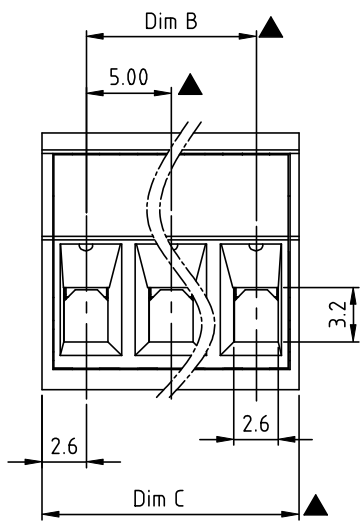
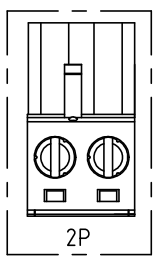
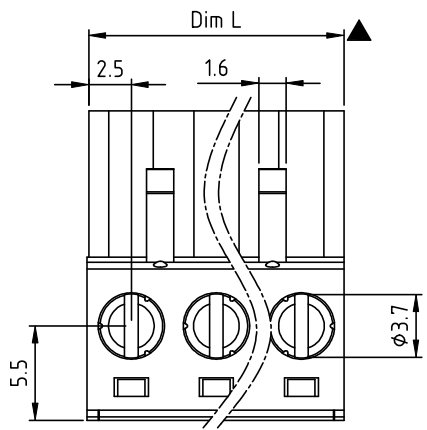


THIS IS CAD DRAWING, DO NOT REVISE MANUALLY!!!



Material

- Item (a) Clamp: Brass(CuZn) Ni plated
- Item (b) Terminal screw: Steel Zinc plating "-" slot type
- Item (c) Female contact: PhBz, Bright Tin plated over Nickel plated
- Item (d) Terminal Cover: Thermoplastic (UL94V-0)
- Item (e) Terminal housing: Thermoplastic (UL94V-0)

Electrical cULus/VDE/TUV

- Voltage rating: 300VAC/300VAC/300VAC
- Current rating: 12A/20A/20A
- Wire range: 2.5mm<sup>2</sup>/0.34-2.5mm<sup>2</sup>
- Solid wire(AWG): 12-24
- Stranded wire(AWG): 12-24
- Torque: 5Lb-In/0.5Nm/0.56Nm
- Screw: M3
- Wire strip length: 7-8mm
- Withstanding Voltage: 1.6KV/2.5KV/2.5KV
- Operating temperature: -40°C to +115°C
- Safety Approval: cULus VDE TÜV
- Critical dimension: ▲

**TJ xx 71x 0 xxxx G**

No. OF POLES		G RoHS compliant (lead<4%) In copper Alloy
02 2 poles		
03 3 poles		
... ..		
24 24 poles		
	COLOR	0000: "@" Logo (Standard)
	0 Black (RAL9005)	000A: "ANYTEK" Mark
	2 Red (RAL3001/D)	0091: "ANYTEK" Mark
	3 Orange(RAL2011/P)	Any special item by customer request.
	4 Yellow(RAL1018/A)	please contact sales department.
	5 Green(RAL6018/T)	
	6 Blue (RAL5015/A)	
	8 Grey(RAL7035/D)	
	9 White(RAL1102)	
	C Green(RAL6018/U)	

N= Number of poles

Dimension	Poles	Dim L/B/C Tolerance
Dim L N×5.0	2P-6P	±0.15
Dim B (N-1)×5.0	7P-12P	±0.25
Dim C N×5.0+0.10	13P-18P	±0.30
	19P-24P	±0.40

<h1>Amphenol ANYTEK</h1>		<h2>CUSTOMER COPY</h2> <p>ALL RIGHTS RESERVED. REPRODUCTION OR ISSUE TO THIRD PARTIES IN ANY FORM WHATSOEVER IS NOT PERMITTED WITHOUT WRITTEN AUTHORITY FROM THE PROPRIETOR. PROPERTY OF ANYTEK TECHNOLOGY CO., LTD</p>				
						TITLE
PART NO.	TJxx71x0xxxxG	DWG NO.	8TJ0301			
APPROVED	CHECKED	DESIGNED	DRAWN	CUST NO.	Tolerance	
		Chen Bo 04/12-21	Chen Bo 04/12-21		X. ±0.50	
					UNIT: mm	X.X ±0.30
					SCALE: NONE	X.XX ±0.10
				SHEET: 01/01	REV.: K	
					X° ±1°	