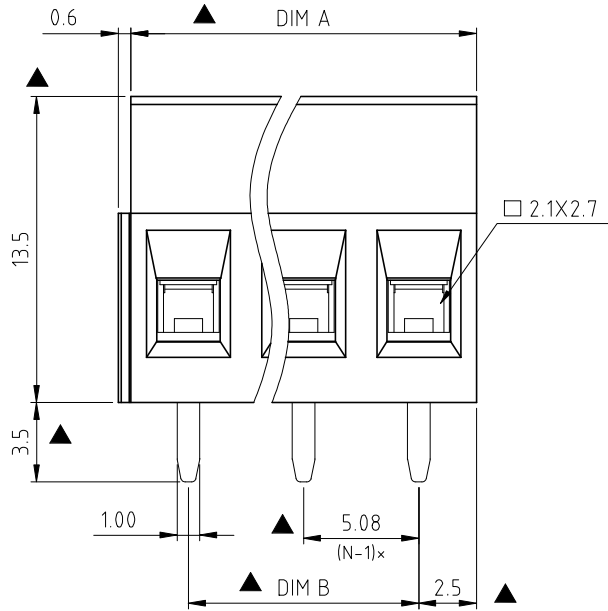
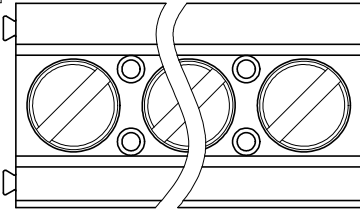
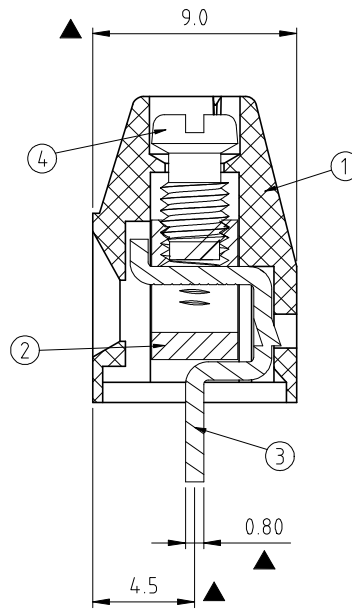
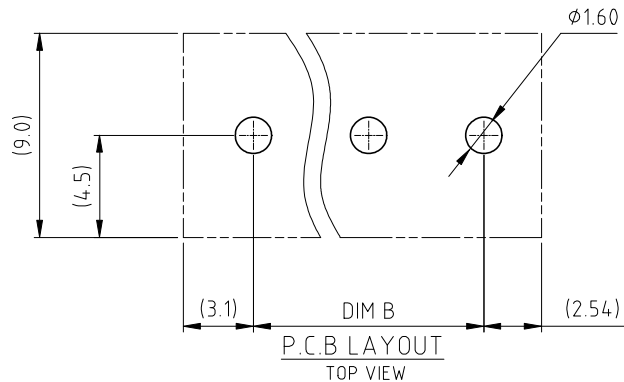


RoHS Compliant



N=Number of poles



Dimension

DIM A	Nx5.08
DIM B	(N-1)x5.08

N=Number of poles

POLES	TOL
2p-6p	±0.15
7p-12p	±0.25
13p-16p	±0.35
17p-24p	±0.40

Rev	SIGN	DATE	DESCRIPTION	APPROVER
E	△	8/07'06	Added FIMKO standard	梁仁松
F	△	01/18'07	Soldering temperature changed from 245° to 250°	Tason
	△	01/18'07	Part NO is Changed	Tason
G	△	07/02'18	Modify the drawing frame	PansLee
	△	07/02'18	Cancel FI certification	PansLee
	△	07/02'18	Add critical dimension	PansLee
	△	07/02'18	Add the color of the P/N and poles tolerance table	PansLee
	△	07/02'18	Wave soldering temperature changed from 250°C±10°C to 260°C±5°C	PansLee
	△	07/02'18	Modify the Electrical arguments	PansLee
	△	07/02'18	Modify the Material annotation	PansLee
H	△	07/08'20	Add TUV certification	Rhine

THIS IS CAD DRAWING, DO NOT REVISE MANUALLY!!!

Material:

- Item① Terminal housing :Thermoplastic (UL 94V-0)
- Item② Clamp : Brass ,Ni plated
- Item③ Wire guard solder pin : Brass ,Bright Tin plated
- Item④ Terminal screw : Steel Zinc plating"-slot type

Electrical cULus TUV

- Voltage rating: 300VAC 250VAC
- Current rating: 16A 17.5A
- Wire range: 0.2-1.5mm²
- Solid wire(AWG): 12-28
- Stranded wire(AWG): 12-28
- Torque: 3.5Lb-In. 0.5N.m
- Screw: M3
- Wire strip length: 6-7mm
- Withstanding Voltage: 1.6KV 2.0KV
- Operating temperature: -40°C to +115°C
- Wave soldering temperature: 260°C±5°C/5 Sec

Safety Approval: Critical dimension: ▲

VI xx 21 x 2 xxxx G

02 2 POLES	0 Black (RAL9005)	0000:"@"Logo (Standard)	G RoHS compliant
03 3 POLES	5 Green(RAL6018/T)	000A:"ANYTEK"Logo	(lead<4%)
...	6 Blue (RAL5015/A)	Any special item by	In copper Alloy
...	8 Grey(RAL7035/D)	customer request,	
24 24 POLES	C Green(RAL6018/U)	please contact sales	
		department.	

Amphenol ANYTEK

CUSTOMER COPY

ALL RIGHTS RESERVED. REPRODUCTION OR ISSUE TO THIRD PARTIES IN ANY FORM WHATSOEVER IS NOT PERMITTED WITHOUT WRITTEN AUTHORITY FROM THE PROPRIETOR. PROPERTY OF ANYTEK TECHNOLOGY CO., LTD

TITLE		VI 5.08 SERIES 180° wire inlet (without cover)			
PART NO.		VIxx21x2xxxxG		DWG NO.	8VI0103
APPROVED	CHECKED	DESIGNED	DRAWN	CUST NO.	
		Rhine 2020.07.08	Rhine 2020.07.08		
				UNIT: mm	X. ±0.50
				SCALE: NONE	X.X ±0.30
				SHEET: 01/01	X.XX ±0.10
				REV: H	X° ±1°