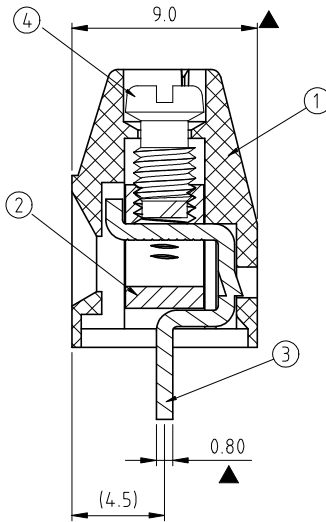
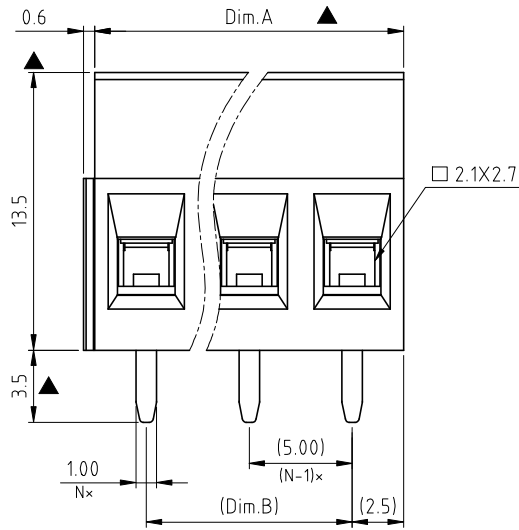
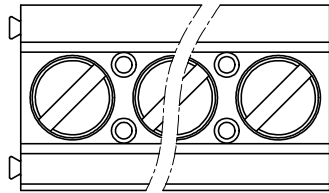


RoHS Compliant

Rev.	SIGN	DATE	DESCRIPTION	APPROVER
B	—	3/31'20	The first release	Guoxue
C	△	7/03'20	Add TUV certification	Rhine

THIS IS CAD DRAWING, DO NOT REVISE MANUALLY!!!



Material:

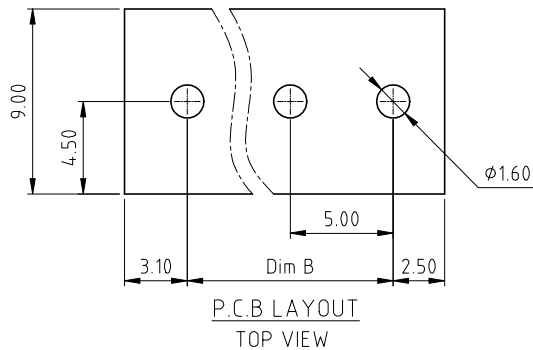
- Item ① Terminal housing :Thermoplastic (UL 94V-0)
- Item ② Clamp : Brass ,Ni plated
- Item ③ Wire guard solder pin : Brass ,Bright Tin plated
- Item ④ Terminal screw: Steel Zinc plating"-slot type

△ Electrical cULus TUV

- Voltage rating: 300VAC 250VAC
- Current rating: 16A 17.5A
- Wire range: 0.2-1.5mm²
- Solid wire(AWG): 12-28
- Stranded wire(AWG): 12-28
- Torque: 3.5Lb-In. 0.5N.m
- Screw: M3
- Wire strip length: 6-7mm
- Withstanding Voltage: 1.6KV 2.0KV
- Operating temperature: -40°C to +115°C
- Wave soldering temperature: 260°C±5°C/5 Sec
- Safety Approval: cULus △
- Critical dimension:
- Reference dimension: (×)The dimensions of pitch are just for reference, take the actual assembly result as a judgment when inserting the terminal block into the PCB hole.

VI xx 01 x 2 xxxx G

- No. of poles end stackable design: 0 Black, 5 Green(RAL6018/T), 02 2 POLES, 03 3 POLES,, 24 24 POLES
- Color: 6 Blue, 8 Grey(RAL7035/D), C Green(RAL6018/U)
- RoHS compliant (lead<4%)
- In copper Alloy
- 0000:"@”Logo (Standard)
- 000A:"ANYTEK”Logo
- Any special item by customer request, please contact sales department.



N = Number of poles
 Dim.A=Nx5.0
 Dim.B=(N-1)x5.0

Poles	Dim.A Tol.
2-6p	±0.15
7-12p	±0.20
13-18p	±0.30
19-24p	±0.40

Amphenol ANYTEK				CUSTOMER COPY	
ALL RIGHTS RESERVED. REPRODUCTION OR ISSUE TO THIRD PARTIES IN ANY FORM WHATSOEVER IS NOT PERMITTED WITHOUT WRITTEN AUTHORITY FROM THE PROPRIETOR. PROPERTY OF ANYTEK TECHNOLOGY CO., LTD					
TITLE VI 5.0 SERIES 180° wire inlet (without cover)					
PART NO. VIxx01x2xxxxG		DWG NO. 8VI0060			
APPROVED	CHECKED	DESIGNED	DRAWN	CUST NO.	Tolerance
		Rhine 2020.07.03	Rhine 2020.07.03		X. ±0.50 X.X ±0.30 X.XX ±0.10 X° ±1°
SHEET: 01/01				UNIT: mm	SCALE: NONE
				REV: C	