

Material

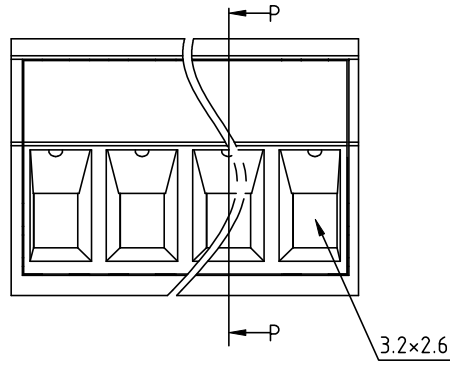
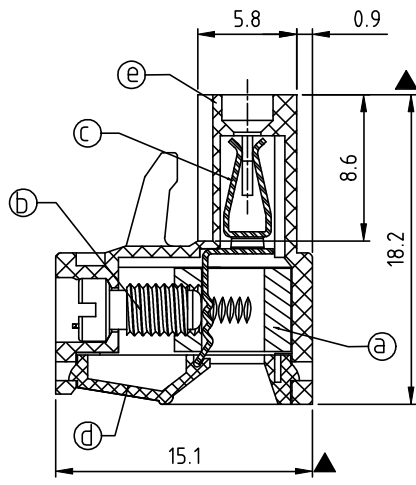
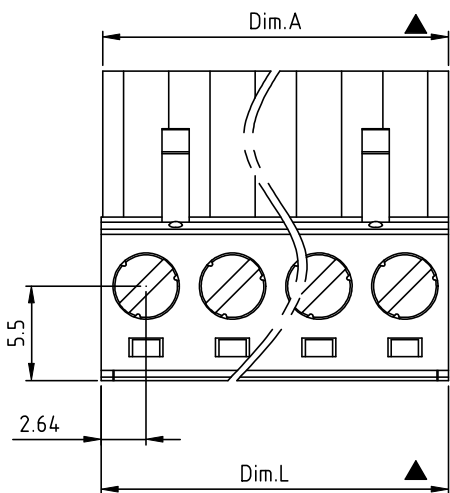
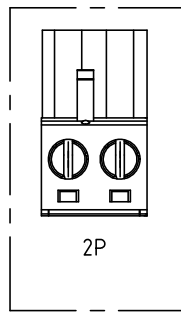
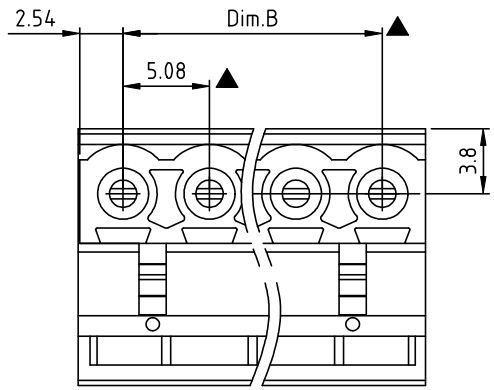
- Item ① Clamp: Brass(CuZn) Ni plated
 - Item ② Terminal screw: Steel Zinc plating "--" slot type
 - Item ③ Female contact: PhBz, Bright Tin plated over Nickel plated
 - Item ④ Terminal Cover: Thermoplastic (UL94V-0)
 - Item ⑤ Terminal housing: Thermoplastic (UL94V-0)
- Electrical cULus/VDE/TUV
- Voltage rating: 300VAC/300VAC/300VAC
 - Current rating: 12A/20A/20A
 - Wire range: 2.5mm²/0.34-2.5mm²
 - Solid wire(AWG): 12-24
 - Stranded wire(AWG): 12-24
 - Torque: 5Lb-In/0.5Nm/0.56Nm
 - Screw: M3
 - Wire strip length: 7-8mm
 - Withstanding Voltage: 1.6KV/2.5KV/2.5KV
 - Operating temperature: -40°C to +115°C
 - Safety Approval: cULus VDE TÜV
 - Use with 0Q1.0x1.0mm square pin, Withdrawal force:200 - 500gf /pole
 - Critical dimension: ▲

TJ xx 51x 3 xxxx G

No. OF POLES ←
 02: 2 POLES
 :
 24: 24 POLES

Color
 0 Black (RAL9005)
 2 Red (RAL3001/D)
 3 Orange(RAL2011/P)
 4 Yellow(RAL1018/A)
 5 Green(RAL6018/T)
 6 Blue (RAL5015/A)
 8 Grey(RAL7035/D)
 9 White(RAL1102)
 C Green(RAL6018/U)

G RoHS compliant (lead<4%)
 In copper Alloy
 000 0 Standard @ Logo
 000 A Standard ANY Logo
 0091 Standard ANY Logo
 Any special item by customer request, please contact sales department.



DIMENSION

DIM L	Nx5.08+0.1
DIM A	Nx5.08
DIM B	(N-1)x5.08

N=Number of poles

Poles	Tolerance	
	DIM B	DIM L&DIM A
2p	±0.10	±0.20
3p-6p	±0.15	±0.20
7p-12p	±0.20	±0.25
13p-18p	±0.25	±0.30
19p-24p	±0.30	±0.40

Amphenol ANYTEK				CUSTOMER COPY			
ALL RIGHTS RESERVED. REPRODUCTION OR ISSUE TO THIRD PARTIES IN ANY FORM WHATSOEVER IS NOT PERMITTED WITHOUT WRITTEN AUTHORITY FROM THE PROPRIETOR. PROPERTY OF ANYTEK TECHNOLOGY CO., LTD							
TITLE		TJ-5.08 mm Series (Without flange) 2-24P					
PART NO.		TJxx51x3xxxxG			DWG NO.		8TJ0007
APPROVED		CHECKED	DESIGNED	DRAWN	CUST NO.		Tolerance
			Chen Bo	Chen Bo			X. ±0.50
			04/12-21	04/12-21			X.X ±0.30
					SHEET: 01/01		X.XX ±0.10
							X° ±1°