

SIGN	DATE	DESCRIPTION	APPROVER
△	01/20/07	The Soldering temperature from 245° to 250°	Aaron
△	2010.08.12	The design is changed	Chen Bo
△	2012.07.18	The tolerance are added	Runner
△	10/29/12	update the drawing	Da cheng
△	2015.09.29	Update the drawing	Airy min

THIS IS CAD DRAWING, DO NOT REVISE MANUALLY!!!

Material:

- Item ① Lever: Thermoplastic (UL94V-0) Orange RAL2011/P
- Item ② Terminal body: Thermoplastic (UL94V-0)
- Item ③ cover: Thermoplastic (UL94V-0)
- Item ④ Spring clamp: Stainless steel
- △ ● Item ⑤ contact pin: Brass. Bright Tin plated over Nickel plated

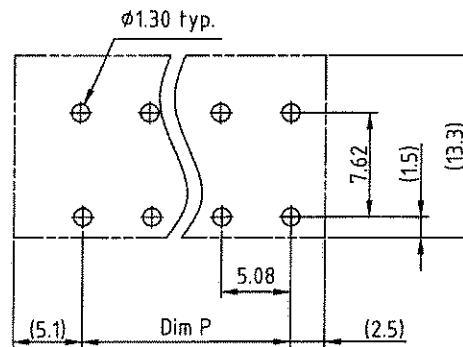
Electrical cULus/VDE

- Voltage rating: 300VAC/250VAC
- Current rating: 10A/10A
- Wire range: 0.75-1.5mm²
- Solid wire(AWG): 14-24
- Stranded wire(AWG): 14-24
- Wire strip length: 9-10mm
- Withstanding Voltage: 1.6KV/2KV
- Operating temperature: -40°C to +115°C
- Soldering temperature: 260°C±5°C/5 Sec
- Safety Approval: cULus VDE
- Critical dimension: ∇

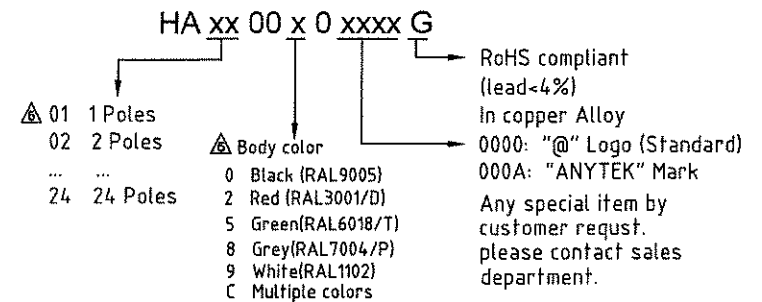


△ N = Number of poles
 Dim L=(N×5.08)+2.54
 Dim P=(N-1)×5.08

	Dim L	Dim P
1p	±0.10	
2-6p	±0.15	±0.10
7-12p	±0.20	±0.20
13-18p	±0.30	±0.25
19-24p	±0.40	±0.30



△ P.C.B. LAYOUT
Bottom view



ANYTEK		CUSTOMER COPY	
ALL RIGHTS RESERVED. REPRODUCTION OR ISSUE TO THIRD PARTIES IN ANY FORM WHATSOEVER IS NOT PERMITTED WITHOUT WRITTEN AUTHORITY FROM THE PROPRIETOR. PROPERTY OF ANYTEK TECHNOLOGY CO., LTD			
TITLE	HA-5.08mm 90° series		
PART NO.	HAxx00x0xxxxG	DWG NO.	8HA0101
APPROVED	CHECKED	DESIGNED	DRAWN
Airy min 2015.09.29		Airy min 2015.09.29	
SHEET: 01/01		Tolerance	
X		±0.50	
X.X		±0.30	
X.XX		±0.10	
X°		±1°	