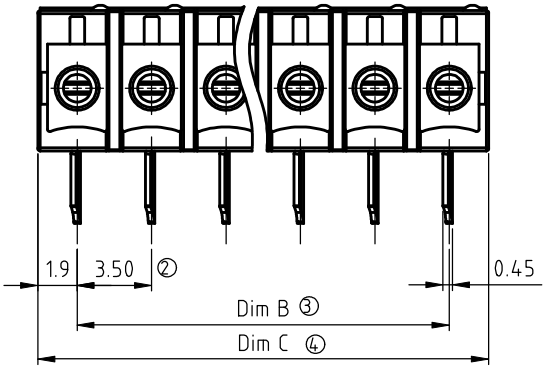
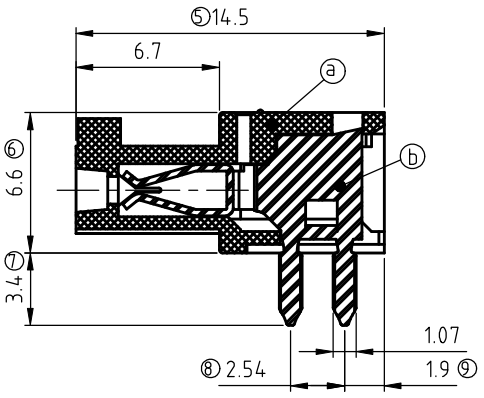
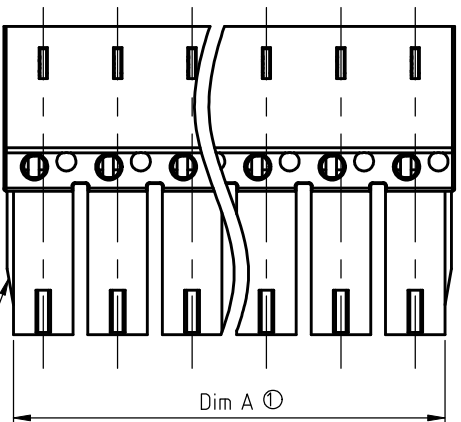
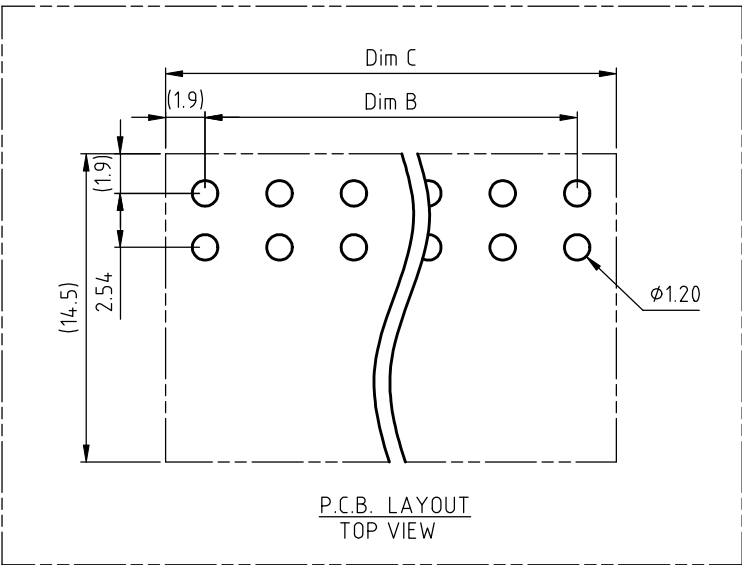


SIGN	DATE	DESCRIPTION	APPROVER
△	2010.01.12	Add cULus standard	Jacke
△	2014.11.27	Update the drawing	Evan

**THIS IS CAD DRAWING, DO NOT REVISE MANUALLY!!!**

Materials  
 Item a Terminal body:Thermoplastic (UL94V-0)  
 Item b Female contact:PhBz(CuSn),Tin plated

- Electrical
- Voltage rating: 300V AC
  - △● Current rating: 4A
  - Withstanding Voltage: 1.6kv
  - Operating temperature: -40°C to +115°C
  - Soldering temperature: 260°C±5°C/5 Sec
  - △● Safety Approval: 



△ V7 xx 1 1 x 1 xxxx G

No. OF POLES  
 02: 2 POLES  
 :  
 24: 24 POLES

- Colour
- 0 Black (RAL9005)
  - 2 Red (RAL3001/D)
  - 3 Orange(RAL2011/P)
  - 4 Yellow(RAL1018/A)
  - 5 Green(RAL6018/T)
  - 6 Blue (RAL5015/A)
  - 8 Grey(RAL7035/D)
  - 9 White(RAL1102)
  - C Green(RAL6018/U)

**G RoHS compliant (lead<4%)  
In copper Alloy**

0000: "@" Logo (Standard)  
 000A: "ANYTEK" Mark  
 Any special item by customer request.  
 please contact sales department.

Poles	02	03	04	05	06	07	08	09	10	11	12	13
Dim A	6.3	9.8	13.3	16.8	20.3	23.8	27.3	30.8	34.3	37.8	41.3	44.8
Dim B	3.5	7.0	10.5	14.0	17.5	21.0	24.5	28.0	31.5	35.0	38.5	42.0
Dim C	7.2	10.7	14.2	17.7	21.2	24.7	28.2	31.7	35.2	38.7	42.2	45.7
TOL	±0.10				±0.15				±0.20			

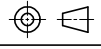
  

Poles	14	15	16	17	18	19	20	21	22	23	24	
Dim A	48.3	51.8	55.3	58.8	62.3	65.8	69.3	72.8	76.3	79.8	83.3	
Dim B	45.5	49.0	52.5	56.0	59.5	63.0	66.5	70.0	73.5	77.0	80.5	
Dim C	49.2	52.7	56.2	59.7	63.2	66.7	70.2	73.7	77.2	80.7	84.2	
TOL	±0.20				±0.25				±0.30			

ANYTEK

### INSPECTION COPY

ALL RIGHTS RESERVED. REPRODUCTION OR ISSUE TO THIRD PARTIES IN ANY FORM WHATSOEVER IS NOT PERMITTED WITHOUT WRITTEN AUTHORITY FROM THE PROPRIETOR. PROPERTY OF ANYTEK TECHNOLOGY CO., LTD

TITLE		V7 3.5mm series Right angle 2p-24p			
PART NO.		V7xx11x1xxxxG		DWG NO. 8V70002	
APPROVED	CHECKED	DESIGNED	DRAWN	CUST NO.	
		Evan 2014.11.27	Evan 2014.11.27		
					
				UNIT: mm SCALE: NONE SHEET: 01/01 REV.: D	
				Tolerance X.X ±0.5 X.XX ±0.3 X.XX ±0.1 X° ±1°	