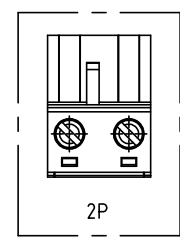
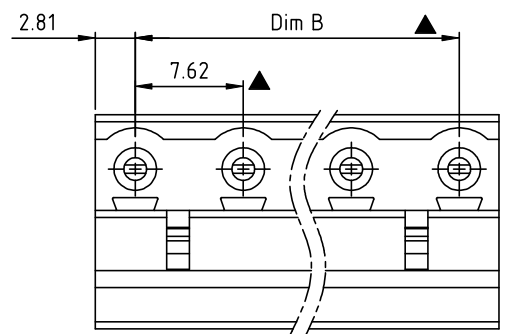


THIS IS CAD DRAWING, DO NOT REVISE MANUALLY!!!

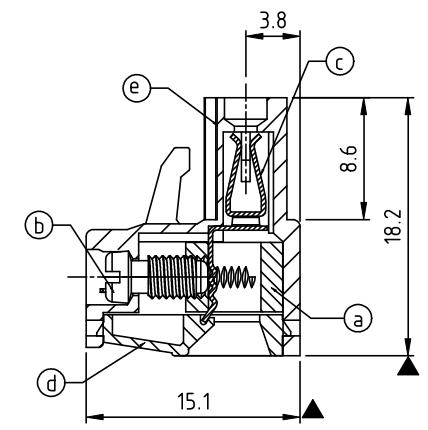
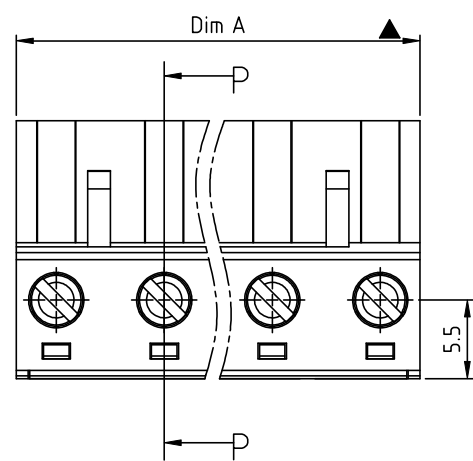
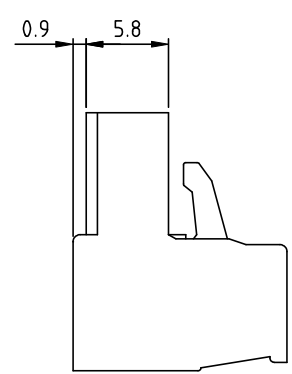


Material

- Item (a) Clamp: Brass(CuZn) Ni plated
- Item (b) Terminal screw: Steel Zinc plating "-" slot type
- Item (c) Female contact: PhBz ,Bright Tin plated over Nickel plated
- Item (d) Terminal Cover: Thermoplastic (UL94V-0)
- Item (e) Terminal housing: Thermoplastic (UL94V-0)

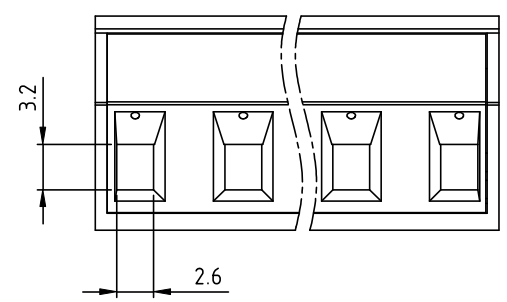
Electrical cULus

- Voltage rating: 300VAC
- Current rating: 12A
- Wire range:
- Solid wire(AWG): 12-24
- Stranded wire(AWG): 12-24
- Torque: 5Lb-In
- Screw: M3
- Wire strip length: 7-8mm
- Withstanding Voltage: 1.6KV
- Operating temperature: -40°C to +115°C
- Safety Approval:
- Critical dimension: ▲



SECTION P-P

TJ xx 01 x 0 xxxx G		
	Color	G RoHS compliant (lead<4%) In copper Alloy
02 2 Poles	0 Black (RAL9005)	0000 Standard @ Logo
03 3 Poles	2 Red (RAL3001/D)	000A Standard ANY Logo
...	3 Orange(RAL2011/P)	0091 Standard ANY Logo
16 16 Poles	4 Yellow(RAL1018/A)	Any special item by customer request, please contact sales department.
	5 Green(RAL6018/T)	
	6 Blue (RAL5015/A)	
	8 Grey(RAL7035/D)	
	9 White(RAL1102)	
	C Green(RAL6018/U)	



N = Number of poles
 Dim A=(N-1)X7.62+5.62
 Dim B=(N-1)x7.62

Poles	Tolerance Dim A/B
2p-6p	±0.15
7p-12p	±0.20
13p-16p	±0.30

Amphenol ANYTEK		CUSTOMER COPY	
ALL RIGHTS RESERVED. REPRODUCTION OR ISSUE TO THIRD PARTIES IN ANY FORM WHATSOEVER IS NOT PERMITTED WITHOUT WRITTEN AUTHORITY FROM THE PROPRIETOR. PROPERTY OF ANYTEK TECHNOLOGY CO., LTD			
TITLE: TJ-7.62mm Series 2P-16P (Without flange)		DWG NO.: 8TJ0401	
PART NO.: TJxx01x0xxxxG		CUST NO.:	
APPROVED:	CHECKED:	DESIGNED:	DRAWN:
		Chen Bo 04/12-21	Chen Bo 04/12-21
		UNIT: mm SCALE: NONE SHEET: 01/01 REV.: G	
		Tolerance X.X ±0.50 X.XX ±0.30 X.XX ±0.10 X° ±1°	