

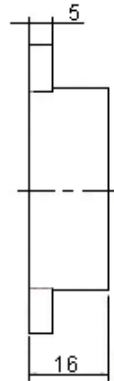
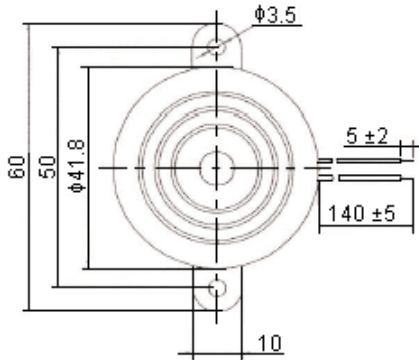


PART NO.

ABI-023-RC

REVISIONS

ECN #	REV	DESCRIPTION	DRAWN	DATE	CHECKD	DATE	APPRVD	DATE
-	A	PIEZO BUZZER, 12VDC, LEADS	Amudha	06/04/09	Veena	06/04/09	Farnell	20/04/09



Features:

- Colour : Black.
- Housing material : ABS.
- Built-in oscillating circuit.
- Lead wire : 28AWG.

Tolerance: ±0.5

Dimensions : Millimetres

All data at 25°C unless otherwise specified.

Specifications	ABI-023-RC Piezo Indicator
Rated Voltage	12V dc
Operating Voltage	1.5 to 20V dc
Rated Current at Rated Voltage	10mA
Sound Output at 30cm, at Rated Voltage	≥96dB
Resonant Frequency at Rated Voltage	2800 ±500Hz
Operating Temperature	-20 to +60°C
Storage Temperature	-30 to +70°C
Weight	15g

Part Number Table

Description	Part Number
Piezo Buzzer, 12V dc, Leads	ABI-023-RC

<http://www.farnell.com>

<http://www.newark.com>

<http://www.cpc.co.uk>

This data sheet and its contents (the "Information") belong to the Premier Farnell Group (the "Group") or are licensed to it. No licence is granted for the use of it other than for information purposes in connection with the products to which it relates. No licence of any intellectual property rights is granted. The Information is subject to change without notice and replaces all data sheets previously supplied. The Information supplied is believed to be accurate but the Group assumes no responsibility for its accuracy or completeness, any error in or omission from it or for any use made of it. Users of this data sheet should check for themselves the Information and the suitability of the products for their purpose and not make any assumptions based on information included or omitted. Liability for loss or damage resulting from any reliance on the Information or use of it (including liability resulting from negligence or where the Group was aware of the possibility of such loss or damage arising) is excluded. This will not operate to limit or restrict the Group's liability for death or personal injury resulting from its negligence. SPC pro-SIGNAL is the registered trademark of the Group. © Premier Farnell plc 2009.

TOLERANCES:
UNLESS OTHERWISE SPECIFIED, DIMENSIONS ARE FOR REFERENCE PURPOSES ONLY.

DRAWN BY:	DATE:
Amudha	06/04/09
CHECKED BY:	DATE:
Veena	06/04/09
APPROVED BY:	DATE:
Farnell	20/04/09

DRAWING TITLE:			
ABI-023-RC - Piezo Buzzer			
SIZE	DWG NO.	ELECTRONIC FILE	REV
A		66696_DWG	A
SCALE: NTS	U.O.M.: mm	SHEET: 1 OF 1	