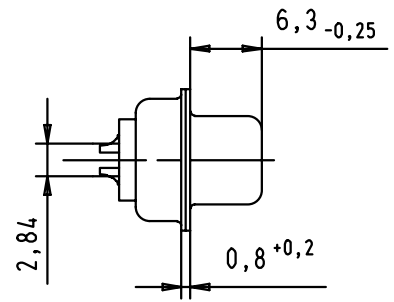
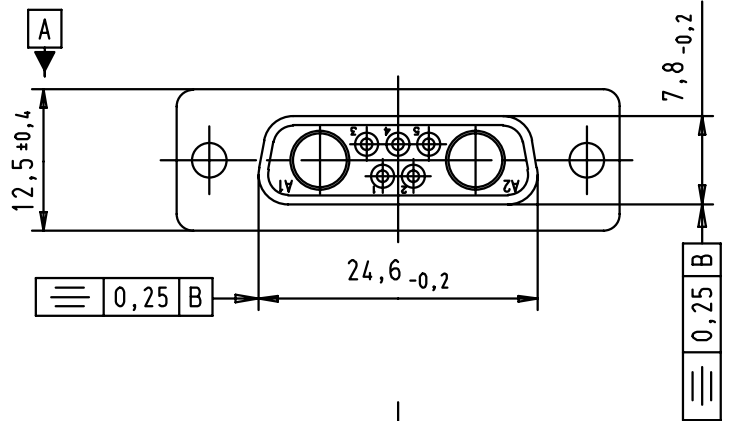
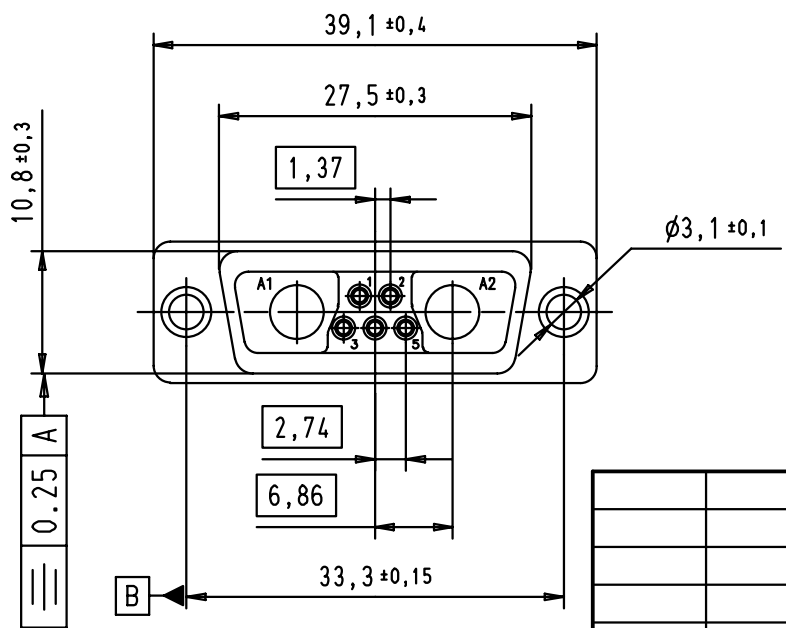
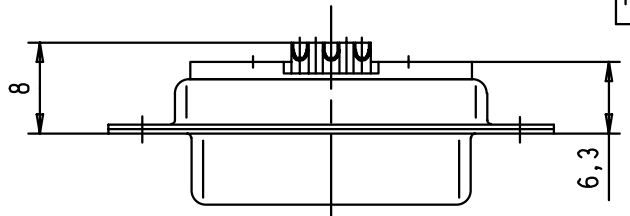




5 4 3 2 1



Solder bucket termination for AWG 20 (0,5 mm²)



				Detail.	12/11/01	AF	 All Dim. in mm Orig. Size DIN A 4	D-Sub, female, straight, 7W2, solder bucket, with tin plated shell	Maßstab/ Scale 1,5:1
			Insp.						
			Stand.						
29742	12/11/01	AF	HARTING EURL F-95972 Paris				TB 09 69 201 5072	Blatt/ Page 1 / 1	
Mod.	Det.	Name	Sub.						