

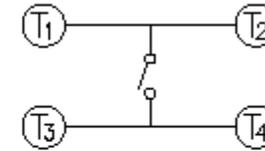
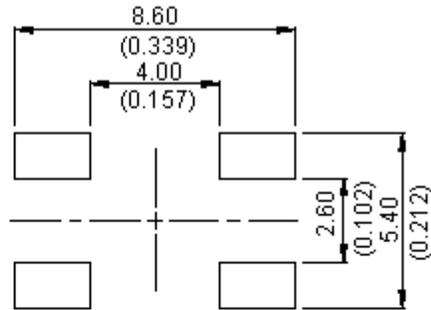
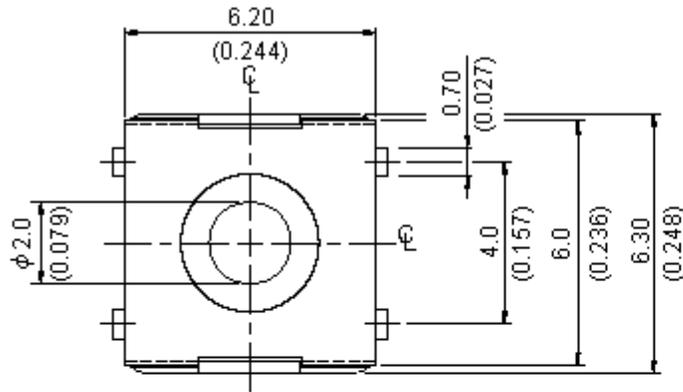


PART NO.

MDD and PBDD Series

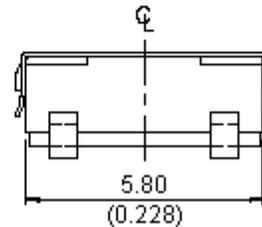
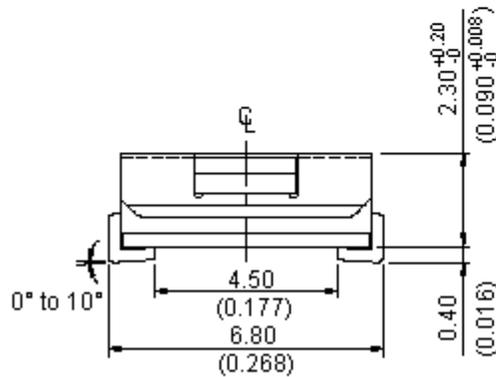
REVISIONS

ECN #	REV	DESCRIPTION	DRAWN	DATE	CHECKD	DATE	APPRVD	DATE
-	A	RELEASED	Kiran	18/04/09	Suresh	18/04/09	Farnell	04/05/09



PCB Layout Scale 8:1

Circuit Diagram



Dimensions : Millimetres (Inches)

This data sheet and its contents (the "Information") belong to the Premier Farnell Group (the "Group") or are licensed to it. No licence is granted for the use of it other than for information purposes in connection with the products to which it relates. No licence of any intellectual property rights is granted. The Information is subject to change without notice and replaces all data sheets previously supplied. The Information supplied is believed to be accurate but the Group assumes no responsibility for its accuracy or completeness, any error in or omission from it or for any use made of it. Users of this data sheet should check for themselves the Information and the suitability of the products for their purpose and not make any assumptions based on information included or omitted. Liability for loss or damage resulting from any reliance on the Information or use of it (including liability resulting from negligence or where the Group was aware of the possibility of such loss or damage arising) is excluded. This will not operate to limit or restrict the Group's liability for death or personal injury resulting from its negligence. SPC MULTICOMP is the registered trademark of the Group. © Premier Farnell plc 2008.

TOLERANCES:
UNLESS OTHERWISE SPECIFIED, DIMENSIONS ARE FOR REFERENCE PURPOSES ONLY.

DRAWN BY:	DATE:
Kiran	18/04/09
CHECKED BY:	DATE:
Suresh	18/04/09
APPROVED BY:	DATE:
Farnell	04/05/09

DRAWING TITLE:			
Tactile Switch - Washable			
SIZE	DWG NO.	ELECTRONIC FILE	REV
A	M10002135	72306_DWG	A
SCALE: NTS		U.O.M.: mm (Inches)	SHEET: 1 OF 3



PART NO.

MDD and PBDD Series

REVISIONS

ECN #	REV	DESCRIPTION	DRAWN	DATE	CHECKD	DATE	APPRVD	DATE
-	A	RELEASED	Kiran	18/04/09	Suresh	18/04/09	Farnell	04/05/09

Specifications:

Mechanical

Operating force : 160 ±50gf silver (S).
 Maximum stop strength : 3kgf vertical static load continuously for 15 seconds.
 Stroke : 0.25 +0.20/-0.1mm.
 Operating temperature : -25°C to +70°C.
 Storage temperature : -30°C to + 80°C.

Electrical

Minimum electrical life : 100,000 cycles.
 Rating : 50mA, 12V dc.
 Maximum contact resistance : 100m.
 Minimum insulation resistance : 100MΩ at 500V dc.
 Dielectric strength : 250V ac/ minute.
 Contact arrangement: 1 pole 1 throw.

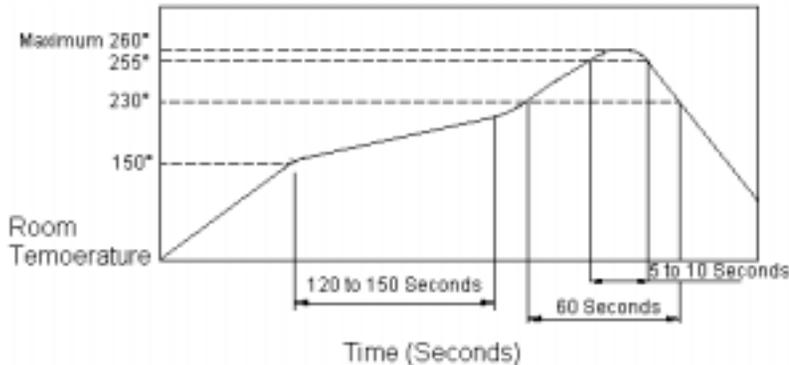
Materials

Cover : Stainless steel.
 Terminal : Brass with silver plated.
 Base : Nylon high-temperature thermoplastic.
 Base colour : Black.

Soldering Process:

Hand Soldering : Use a soldering iron of 30 watts, controlled at 350°C approximately maximum 5 seconds while applying solder.
 Soldering : Vapour phase and reflow soldering can be applied.

Temperature Profile:



This data sheet and its contents (the "Information") belong to the Premier Farnell Group (the "Group") or are licensed to it. No licence is granted for the use of it other than for information purposes in connection with the products to which it relates. No licence of any intellectual property rights is granted. The Information is subject to change without notice and replaces all data sheets previously supplied. The Information supplied is believed to be accurate but the Group assumes no responsibility for its accuracy or completeness, any error in or omission from it or for any use made of it. Users of this data sheet should check for themselves the Information and the suitability of the products for their purpose and not make any assumptions based on information included or omitted. Liability for loss or damage resulting from any reliance on the Information or use of it (including liability resulting from negligence or where the Group was aware of the possibility of such loss or damage arising) is excluded. This will not operate to limit or restrict the Group's liability for death or personal injury resulting from its negligence. SPC MULTICOMP is the registered trademark of the Group. © Premier Farnell plc 2008.

TOLERANCES:

UNLESS OTHERWISE SPECIFIED, DIMENSIONS ARE FOR REFERENCE PURPOSES ONLY.

DRAWN BY:	DATE:
Kiran	18/04/09
CHECKED BY:	DATE:
Suresh	18/04/09
APPROVED BY:	DATE:
Farnell	04/05/09

DRAWING TITLE:			
Tactile Switch - Washable			
SIZE	DWG NO.	ELECTRONIC FILE	REV
A	M10002135	72306_DWG	A
SCALE: NTS		U.O.M.: mm (Inches)	SHEET: 2 OF 3



PART NO.

MDD and PBDD Series

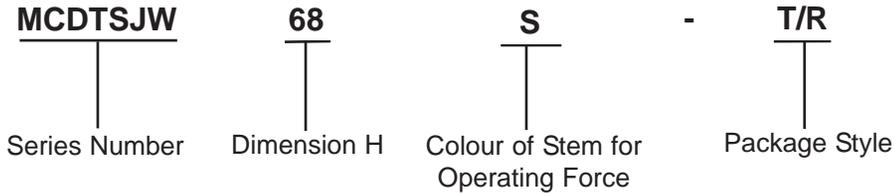
REVISIONS

ECN #	REV	DESCRIPTION	DRAWN	DATE	CHECKD	DATE	APPRVD	DATE
-	A	RELEASED	Kiran	18/04/09	Suresh	18/04/09	Farnell	04/05/09

Specification Table

Item	Description	Part Number
Adhesive Tape	Teflon (standard) Kapton (V-option)	MCDTSJW6-8S-T/R
Metal Stem	Brass with nickel plated	
Contact	Phosphor bronze with silver cladding (standard) Stainless steel (V-option)	

Part Number Explanation:



- Series Number** : MCDTSJW = J Type Surface Mount Washable Tactile Switch.
- Dimension H** : 68 = 2.3mm (S).
- Colour of Stem for Operating Force** : S = Silver, 160gf.
- Package Style** : T/R = Tape and Reel.

<http://www.farnell.com>
<http://www.newark.com>
<http://www.cpc.co.uk>

This data sheet and its contents (the "Information") belong to the Premier Farnell Group (the "Group") or are licensed to it. No licence is granted for the use of it other than for information purposes in connection with the products to which it relates. No licence of any intellectual property rights is granted. The Information is subject to change without notice and replaces all data sheets previously supplied. The Information supplied is believed to be accurate but the Group assumes no responsibility for its accuracy or completeness, any error in or omission from it or for any use made of it. Users of this data sheet should check for themselves the information and the suitability of the products for their purpose and not make any assumptions based on information included or omitted. Liability for loss or damage resulting from any reliance on the Information or use of it (including liability resulting from negligence or where the Group was aware of the possibility of such loss or damage arising) is excluded. This will not operate to limit or restrict the Group's liability for death or personal injury resulting from its negligence. SPC MULTICOMP is the registered trademark of the Group. © Premier Farnell plc 2008.

TOLERANCES:
UNLESS OTHERWISE SPECIFIED, DIMENSIONS ARE FOR REFERENCE PURPOSES ONLY.

DRAWN BY:	DATE:
Kiran	18/04/09
CHECKED BY:	DATE:
Suresh	18/04/09
APPROVED BY:	DATE:
Farnell	04/05/09

DRAWING TITLE:			
Tactile Switch - Washable			
SIZE	DWG NO.	ELECTRONIC FILE	REV
A	M10002135	72306_DWG	A
SCALE: NTS		U.O.M.: mm (Inches)	SHEET: 3 OF 3