

PART NO.

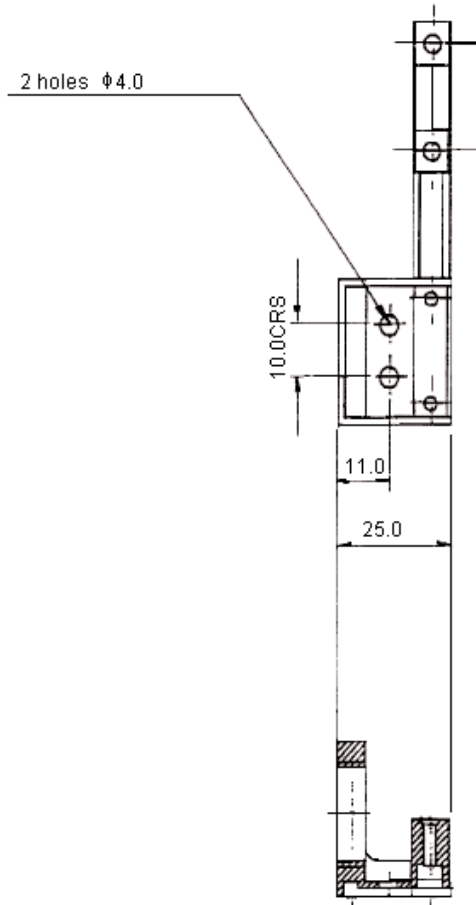
455-9650

REVISIONS

ECN #	REV	DESCRIPTION	DRAWN	DATE	CHECKD	DATE	APPRVD	DATE
-	A	RELEASED	Shalini	18/04/09	Veena	18/04/09	Farnell	30/04/09

**Specifications:**

Material : Nylon 6.6  
 Finish : High polished.  
 Thread : To BS 3643.



Conclamp Type B (692)

Dimensions: Inches (Millimetres)

This data sheet and its contents (the "Information") belong to the Premier Farnell Group (the "Group") or are licensed to it. No licence is granted for the use of it other than for information purposes in connection with the products to which it relates. No licence of any intellectual property rights is granted. The Information is subject to change without notice and replaces all data sheets previously supplied. The Information supplied is believed to be accurate but the Group assumes no responsibility for its accuracy or completeness, any error in or omission from it or for any use made of it. Users of this data sheet should check for themselves the Information and the suitability of the products for their purpose and not make any assumptions based on information included or omitted. Liability for loss or damage resulting from any reliance on the Information or use of it (including liability resulting from negligence or where the Group was aware of the possibility of such loss or damage arising) is excluded. This will not operate to limit or restrict the Group's liability for death or personal injury resulting from its negligence. PRO POWER is the registered trademark of the Group. © Premier Farnell plc 2009.

**TOLERANCES:**  
  
**UNLESS OTHERWISE SPECIFIED, DIMENSIONS ARE FOR REFERENCE PURPOSES ONLY.**

<b>DRAWN BY:</b>	<b>DATE:</b>
Shalini	18/04/09
<b>CHECKED BY:</b>	<b>DATE:</b>
Veena	18/04/09
<b>APPROVED BY:</b>	<b>DATE:</b>
Farnell	30/04/09

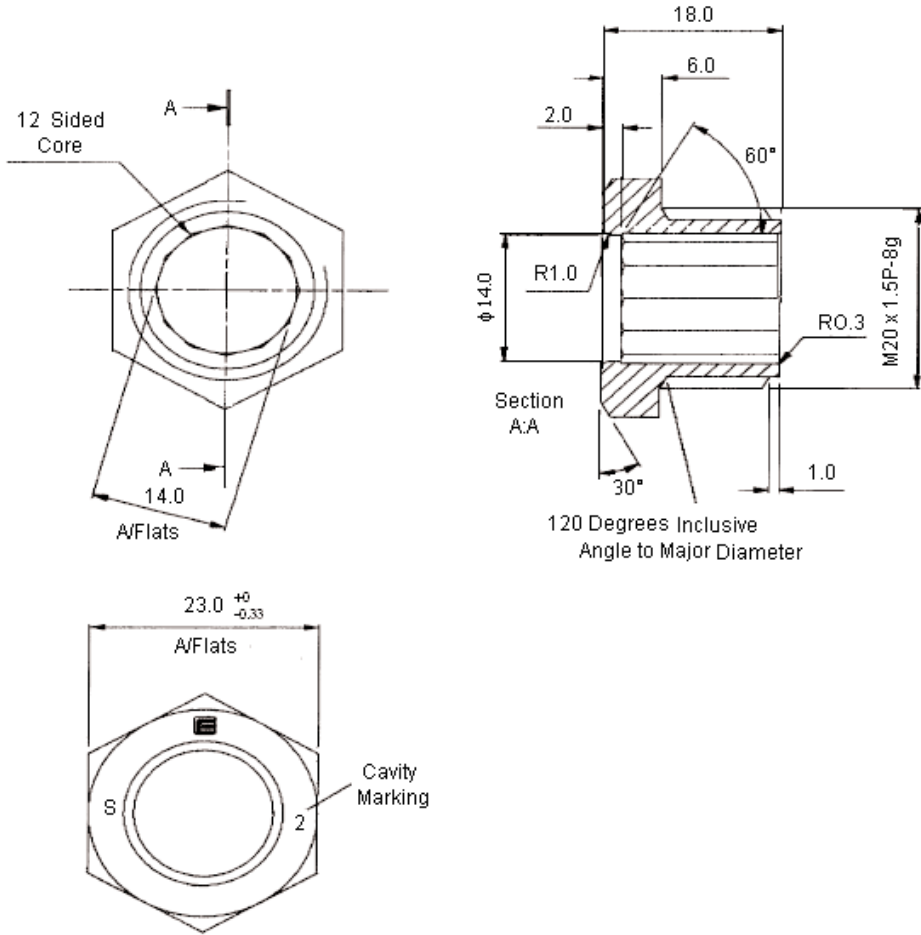
<b>DRAWING TITLE:</b>			
<b>Conclamp Type B</b>			
<b>SIZE</b>	<b>DWG NO.</b>	<b>ELECTRONIC FILE</b>	<b>REV</b>
A	M10002144	16485_DWG	A
<b>SCALE: NTS</b>		<b>U.O.M.: mm</b>	<b>SHEET: 1 OF 3</b>

PART NO.

455-9650

REVISIONS

ECN #	REV	DESCRIPTION	DRAWN	DATE	CHECKD	DATE	APPRVD	DATE
-	A	RELEASED	Shalini	18/04/09	Veena	18/04/09	Farnell	30/04/09



Dimensions: Millimetres

This data sheet and its contents (the "Information") belong to the Premier Farnell Group (the "Group") or are licensed to it. No licence is granted for the use of it other than for information purposes in connection with the products to which it relates. No licence of any intellectual property rights is granted. The Information is subject to change without notice and replaces all data sheets previously supplied. The Information supplied is believed to be accurate but the Group assumes no responsibility for its accuracy or completeness, any error in or omission from it or for any use made of it. Users of this data sheet should check for themselves the Information and the suitability of the products for their purpose and not make any assumptions based on information included or omitted. Liability for loss or damage resulting from any reliance on the Information or use of it (including liability resulting from negligence or where the Group was aware of the possibility of such loss or damage arising) is excluded. This will not operate to limit or restrict the Group's liability for death or personal injury resulting from its negligence. PRO POWER is the registered trademark of the Group. © Premier Farnell plc 2009.

**TOLERANCES:**  
**UNLESS OTHERWISE SPECIFIED, DIMENSIONS ARE FOR REFERENCE PURPOSES ONLY.**

<b>DRAWN BY:</b>	<b>DATE:</b>
Shalini	18/04/09
<b>CHECKED BY:</b>	<b>DATE:</b>
Veena	18/04/09
<b>APPROVED BY:</b>	<b>DATE:</b>
Farnell	30/04/09

**DRAWING TITLE:**

**Conclamp Type B**

<b>SIZE</b> A	<b>DWG NO.</b> M10002144	<b>ELECTRONIC FILE</b> 16485_DWG	<b>REV</b> A
<b>SCALE: NTS</b>		<b>U.O.M.: mm</b>	<b>SHEET: 2 OF 3</b>

PART NO.

455-9650

REVISIONS

ECN #	REV	DESCRIPTION	DRAWN	DATE	CHECKD	DATE	APPRVD	DATE
-	A	RELEASED	Shalini	18/04/09	Veena	18/04/09	Farnell	30/04/09

Specification Table

Item	Description	Part Number
A	Add 120 Degrees Angle to Aid Tooling	455-9650
B	Tolerance Added to A/Flats Dimension	
C	Engraving - Remove "M20" and Add "S"	

<http://www.farnell.com>  
<http://www.newark.com>  
<http://www.cpc.co.uk>

This data sheet and its contents (the "Information") belong to the Premier Farnell Group (the "Group") or are licensed to it. No licence is granted for the use of it other than for information purposes in connection with the products to which it relates. No licence of any intellectual property rights is granted. The Information is subject to change without notice and replaces all data sheets previously supplied. The Information supplied is believed to be accurate but the Group assumes no responsibility for its accuracy or completeness, any error in or omission from it or for any use made of it. Users of this data sheet should check for themselves the Information and the suitability of the products for their purpose and not make any assumptions based on information included or omitted. Liability for loss or damage resulting from any reliance on the Information or use of it (including liability resulting from negligence or where the Group was aware of the possibility of such loss or damage arising) is excluded. This will not operate to limit or restrict the Group's liability for death or personal injury resulting from its negligence. PRO POWER is the registered trademark of the Group. © Premier Farnell plc 2009.

**TOLERANCES:**  
  
UNLESS OTHERWISE SPECIFIED, DIMENSIONS ARE FOR REFERENCE PURPOSES ONLY.

<b>DRAWN BY:</b>	<b>DATE:</b>
Shalini	18/04/09
<b>CHECKED BY:</b>	<b>DATE:</b>
Veena	18/04/09
<b>APPROVED BY:</b>	<b>DATE:</b>
Farnell	30/04/09

**DRAWING TITLE:**

**Conclamp Type B**

<b>SIZE</b> A	<b>DWG NO.</b> M10002144	<b>ELECTRONIC FILE</b> 16485_DWG	<b>REV</b> A
<b>SCALE: NTS</b>		<b>U.O.M.: mm</b>	<b>SHEET: 3 OF 3</b>