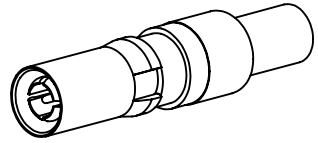


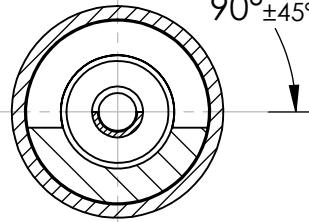
COMMENT:
 ALL RIGHTS ARE RESERVED BY US FOR THIS DRAWING. WITHOUT OUR PRIOR CONSENT,
 IT MAY NEITHER BE DUPLICATED NOR MADE AVAILABLE TO A THIRD PARTY,
 AND IT ALSO MAY NOT BE IMPROPERLY USED BY THE RECEIVER, OR A THIRD PARTY.



solderpot position

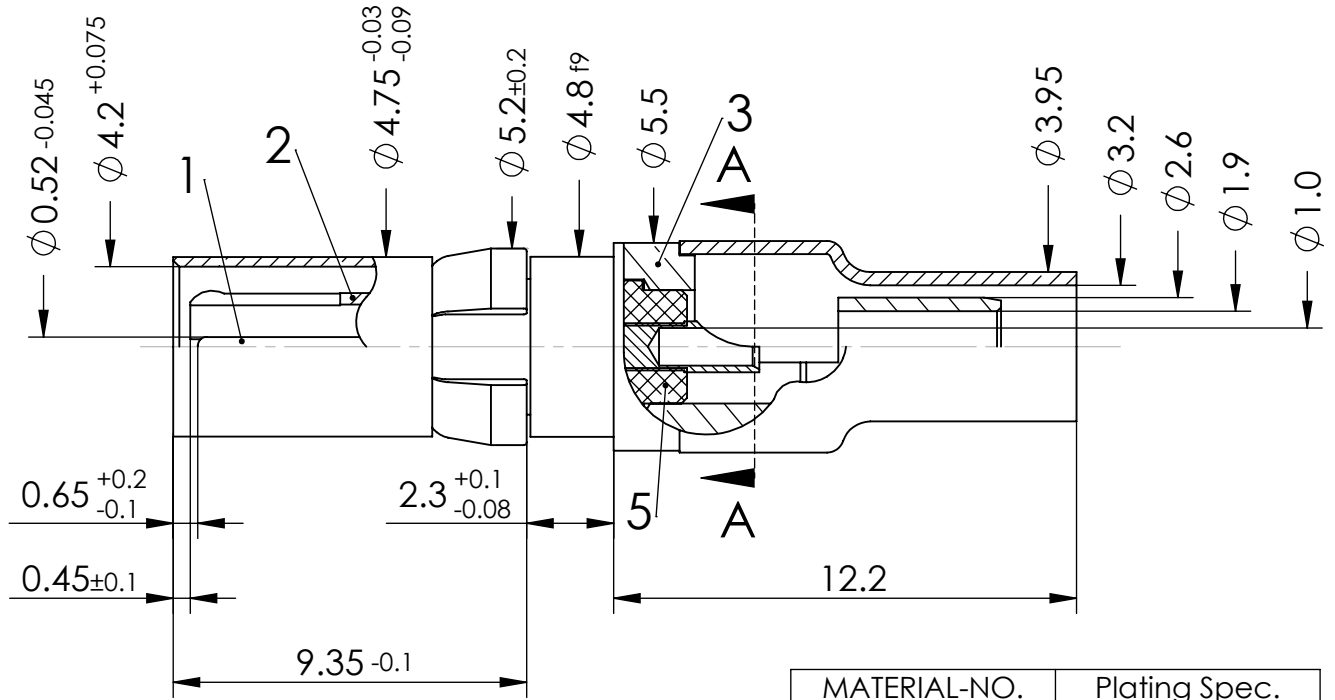
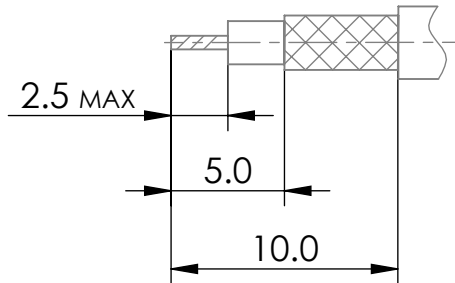
A-A

90°±45°



(Block No. C-8)

Cable trimming dimensions



RoHS compliant
by exemption

Crimpingtools on supplement AM0660

MATERIAL-NO.	Plating Spec.
1731120792	101
1731120619	102
1731120793	116
-	206

SYMBOLS										THIS DRAWING CONTAINS INFORMATION THAT IS PROPRIETARY TO MOLEX ELECTRONIC TECHNOLOGIES, LLC AND SHOULD NOT BE USED WITHOUT WRITTEN PERMISSION										
$\nabla = 0$	$\nabla = 0$	$\nabla = 0$	$\nabla = 0$	$\nabla = 0$	$\nabla = 0$	$\nabla = 0$	$\nabla = 0$	$\nabla = 0$	$\nabla = 0$	$\nabla = 0$	$\nabla = 0$	$\nabla = 0$	$\nabla = 0$	$\nabla = 0$	$\nabla = 0$	$\nabla = 0$	$\nabla = 0$	$\nabla = 0$	$\nabla = 0$	
DIMENSION UNITS		SCALE		FOR		CABLE														
mm		1:1		EN 60603-2		RG174U, RG188AU, RG316U														
UNLESS OTHERWISE SPECIFIED DIMENSIONS FOR REFERENCE ONLY										CURRENT REVISION					<div style="text-align: center;">molex</div> <div style="text-align: center;">FCT Coaxial Contact</div>					
										DRWN: DRAWN BY FVetter 02-08-2019										
										APPR: APPR BY MTeubel 02-09-2019					PRODUCT CUSTOMER DRAWING					
MATERIAL + FINISH SEE EXTRA SHEET										INITIAL REVISION					MATERIAL NUMBER					REVISION
										DRWN: DRAWN BY ffuhrmann 07-11-2006					see table					3
										APPR: APPR BY msteinbrueck 23-11-2006										
REPLACEMENT FOR:										THIRD ANGLE PROJECTION		DRAWING		IMPEDANCE		DOCUMENT NUMBER		CUSTOMER		SHEET NUMBER
										A4-SIZE		50 Ohm		FDX002S		GENERAL MARKET		1 OF 1		