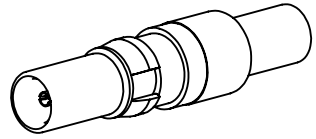
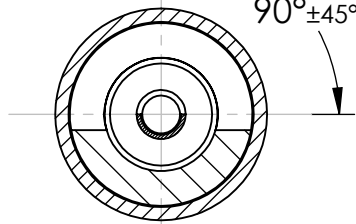


COMMENT:
 ALL RIGHTS ARE RESERVED BY US FOR THIS DRAWING. WITHOUT OUR PRIOR CONSENT,
 IT MAY NEITHER BE DUPLICATED NOR MADE AVAILABLE TO A THIRD PARTY,
 AND IT ALSO MAY NOT BE IMPROPERLY USED BY THE RECEIVER, OR A THIRD PARTY.

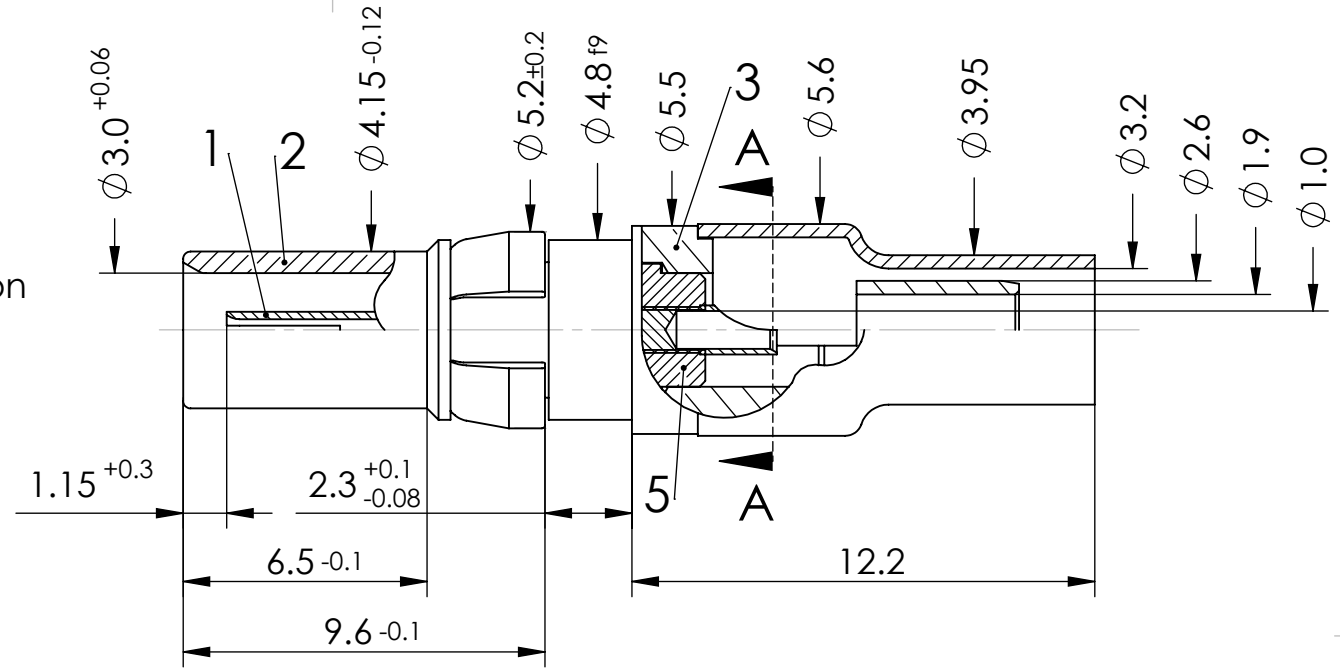


A-A

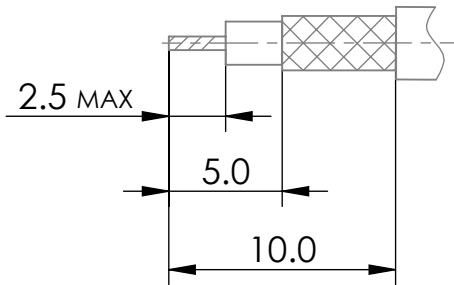


solderpot position

90°±45°



(Block No. C-8)
Cable trimming dimensions



RoHS compliant
 by exemption

Crimpingtools on supplement AM0660

MATERIAL-NO.	Plating Spec.
1731120789	101
1731120790	102
1731120791	116

SYMBOLS										THIS DRAWING CONTAINS INFORMATION THAT IS PROPRIETARY TO MOLEX ELECTRONIC TECHNOLOGIES, LLC AND SHOULD NOT BE USED WITHOUT WRITTEN PERMISSION									
▽ = 0	▽ = 0	▽ = 0	▽ = 0	▽ = 0	▽ = 0	▽ = 0	▽ = 0	▽ = 0	▽ = 0	▽ = 0	▽ = 0	▽ = 0	▽ = 0	▽ = 0	▽ = 0	▽ = 0	▽ = 0	▽ = 0	▽ = 0
DIMENSION UNITS		SCALE		FOR		CABLE		molex											
mm		1:1		EN 60603-2		RG174U, RG188AU, RG316U													
UNLESS OTHERWISE SPECIFIED DIMENSIONS FOR REFERENCE ONLY				CURRENT REVISION				DRWN: DRAWN BY				FVetter				02-08-2019			
MATERIAL + FINISH SEE EXTRA SHEET				INITIAL REVISION				APPR: APPR BY				MTeubel				02-09-2019			
3		24160		DRWN: DRAWN BY		ffuhrmann		25-07-2006		PRODUCT CUSTOMER DRAWING				REVISION					
REV.		CH.-NO.		APPR: APPR BY		msteinbrueck		25-07-2006											
REPLACEMENT FOR:				THIRD ANGLE PROJECTION		DRAWING		IMPEDANCE		MATERIAL NUMBER				REVISION					
				A4-SIZE		50 Ohm													
										DOCUMENT NUMBER				CUSTOMER					
										FDX002P				GENERAL MARKET					
										see table				3					
										SHEET NUMBER				1 OF 1					