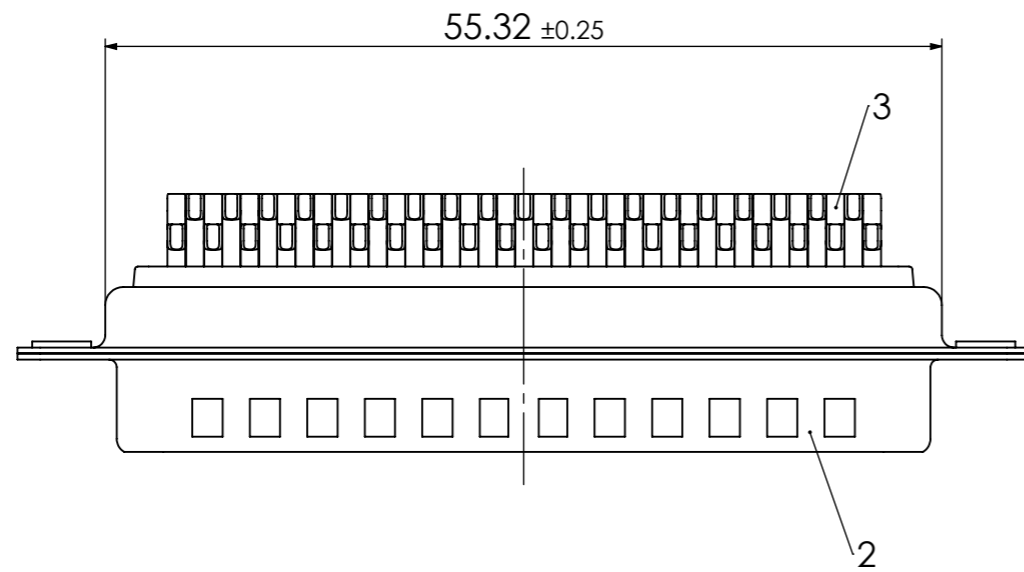
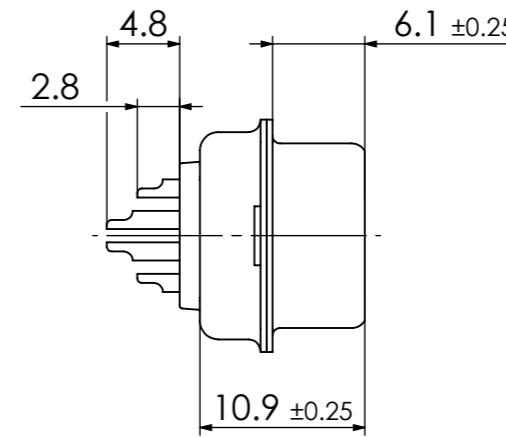
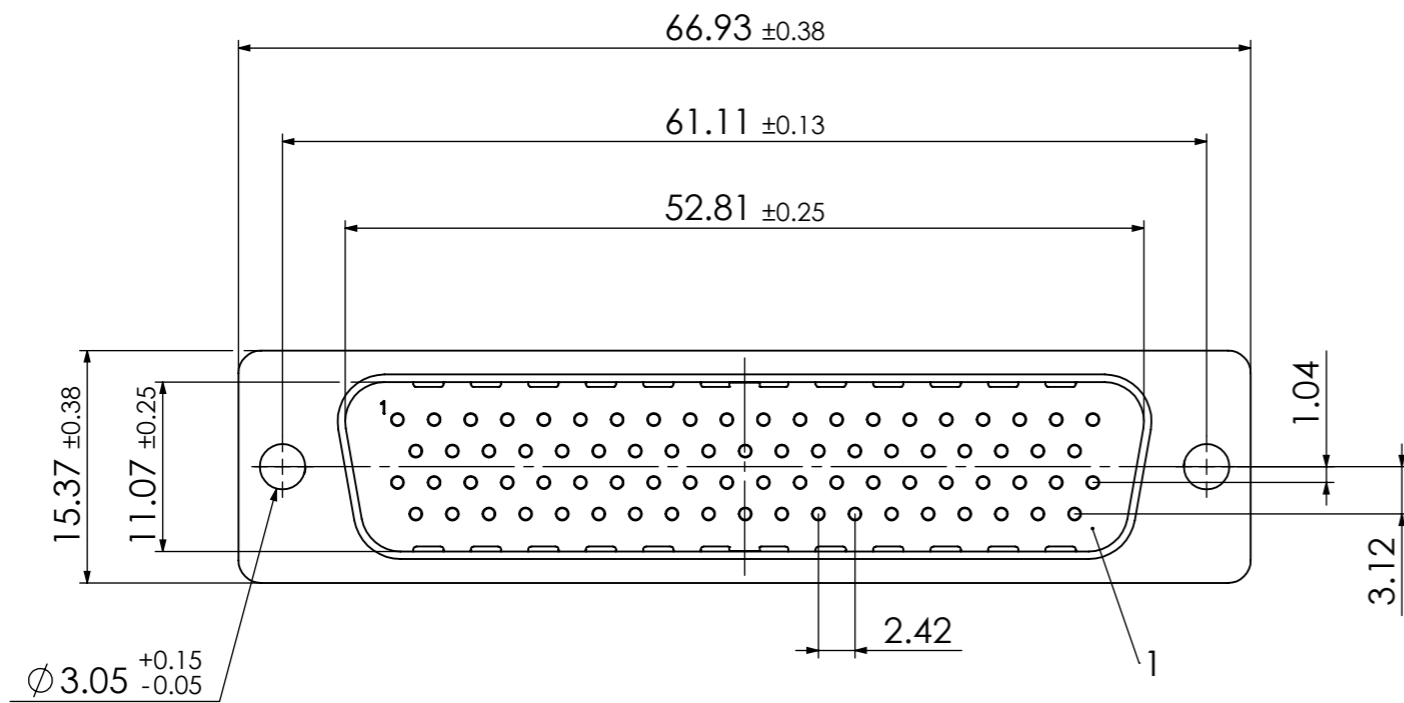


COMMENT:
ALL RIGHTS ARE RESERVED BY US FOR THIS DRAWING. WITHOUT OUR PRIOR CONSENT,
IT MAY NEITHER BE DUPLICATED NOR MADE AVAILABLE TO A THIRD PARTY.
AND IT ALSO MAY NOT BE IMPROPERLY USED BY THE RECEIVER, OR A THIRD PARTY.



Specifications

Current rating: 2A
 Insulation resistance: 5000 MΩ min. AT 500V DC (for 1 minute)
 Dielectric withstanding voltage: AC 1000V min.
 Contact resistance: 20 mΩ max. mated
 Operating temperature: -25°C - +85°C

RoHS compliant
by exemption

No.	St.	Part	Type Description/Material	Surface plating/Colour/Class
3	78	Signal contact	P0 / Brass	flash gold
2	1	Shell	Steel	nickel plated
1	1	Insulator	PBT, GF	black

SYMBOLS					THIS DRAWING CONTAINS INFORMATION THAT IS PROPRIETARY TO MOLEX ELECTRONIC TECHNOLOGIES, LLC AND SHOULD NOT BE USED WITHOUT WRITTEN PERMISSION				
$\nabla = 0$	DIMENSION UNITS	SCALE	MEASUREMENTS WITHOUT TOLERANCE ACC. TO		molex				
$\nabla = 0$	mm	2:1	ISO 2768-m						
$\nabla = 0$			CURRENT REVISION		FCT High Density D-Sub Connector				
$\nabla = 0$			DRWN: DRAWN BY FVetter 08-10-2019						
$\nabla = 0$			APPR: APPR BY MTeubel 15-10-2019		PRODUCT CUSTOMER DRAWING				
$\nabla = 0$			INITIAL REVISION						
$\nabla = 0$	3	24178	DRWN: DRAWN BY sschref 17-01-2013		MATERIAL NUMBER 1731130136				
$\nabla = 0$	2	23443	APPR: APPR BY MTeubel 22-01-2013						
$\nabla = 0$	1		REVISION		REVISION 3				
$\nabla = 0$	REV.	CH.-NO.							
$\nabla = 0$	REPLACEMENT FOR:		THIRD ANGLE PROJECTION	DRAWING	DOCUMENT NUMBER		CUSTOMER	SHEET NUMBER	
$\nabla = 0$				A3-SIZE	ET50-78P		GENERAL MARKET	1 OF 1	