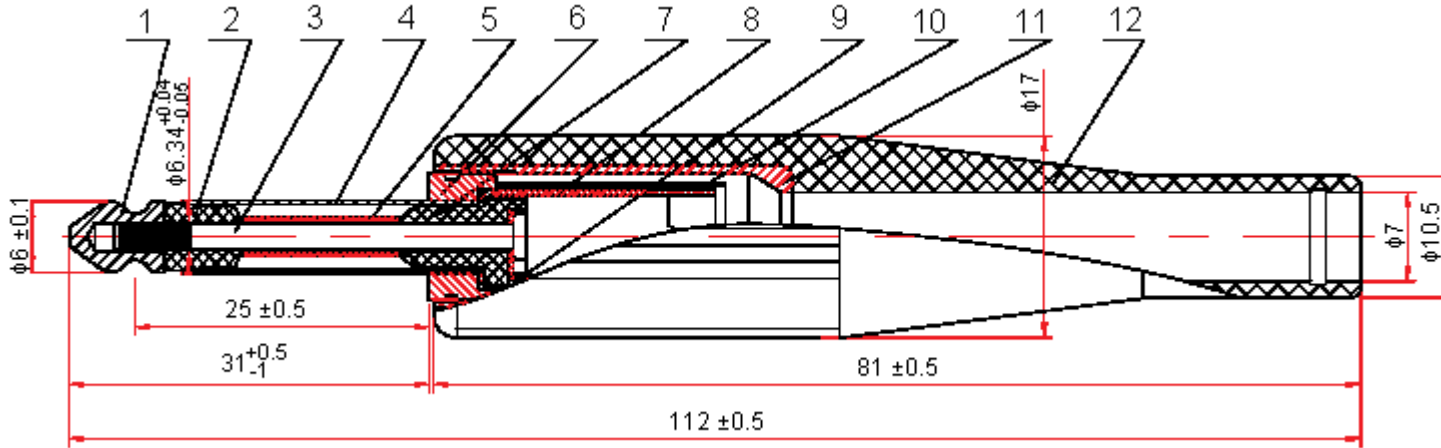


PART NO.

PSG01282

REVISIONS

ECN #	REV	DESCRIPTION	DRAWN	DATE	CHECKD	DATE	APPRVD	DATE
-	A	RELEASED	Shalini	23/05/09	Suresh	23/05/09	Farnell	08/06/09



Dimensions : Millimetres

This data sheet and its contents (the "Information") belong to the Premier Farnell Group (the "Group") or are licensed to it. No licence is granted for the use of it other than for information purposes in connection with the products to which it relates. No licence of any intellectual property rights is granted. The Information is subject to change without notice and replaces all data sheets previously supplied. The Information supplied is believed to be accurate but the Group assumes no responsibility for its accuracy or completeness, any error in or omission from it or for any use made of it. Users of this data sheet should check for themselves the Information and the suitability of the products for their purpose and not make any assumptions based on information included or omitted. Liability for loss or damage resulting from any reliance on the Information or use of it (including liability resulting from negligence or where the Group was aware of the possibility of such loss or damage arising) is excluded. This will not operate to limit or restrict the Group's liability for death or personal injury resulting from its negligence. SPC pro-SIGNAL is the registered trademark of the Group. © Premier Farnell plc 2009.

**TOLERANCES:**  
UNLESS OTHERWISE SPECIFIED, DIMENSIONS ARE FOR REFERENCE PURPOSES ONLY.

<b>DRAWN BY:</b>	<b>DATE:</b>
Shalini	23/05/09
<b>CHECKED BY:</b>	<b>DATE:</b>
Suresh	23/05/09
<b>APPROVED BY:</b>	<b>DATE:</b>
Farnell	08/06/09

**DRAWING TITLE:**

**6.35mm Jack - Plug, Mono, Black**

<b>SIZE</b> A	<b>DWG NO.</b>	<b>ELECTRONIC FILE</b> 1280914-TDS_DWG	<b>REV</b> A
<b>SCALE:</b> NTS	<b>U.O.M.:</b> mm	<b>SHEET:</b> 1 OF 2	



PART NO.

PSG01282

REVISIONS

ECN #	REV	DESCRIPTION	DRAWN	DATE	CHECKD	DATE	APPRVD	DATE
-	A	RELEASED	Shalini	23/05/09	Suresh	23/05/09	Farnell	08/06/09

Specifications

Item	Description	Material	Plating	Part Number
1	Tip	H59-1	Nickel	PSG01282
2	Insulator	ABS	Black	
3	Bolt	A3	-	
4	Sleeve	H62	Nickel	
5	Plastic Tube	PP	-	
6	Brass Base	H59-1	Nickel	
7	Insulator	ABS	-	
8	Terminal	H62	Silver	
9				
10	Plastic Tube	PP	-	
11	Aluminium Shell	AL	Nickel	
12	Boot	PVC	BK/BL/GN/RD/YL	

<http://www.farnell.com>

<http://www.newark.com>

<http://www.cpc.co.uk>

This data sheet and its contents (the "Information") belong to the Premier Farnell Group (the "Group") or are licensed to it. No licence is granted for the use of it other than for information purposes in connection with the products to which it relates. No licence of any intellectual property rights is granted. The Information is subject to change without notice and replaces all data sheets previously supplied. The Information supplied is believed to be accurate but the Group assumes no responsibility for its accuracy or completeness, any error in or omission from it or for any use made of it. Users of this data sheet should check for themselves the Information and the suitability of the products for their purpose and not make any assumptions based on information included or omitted. Liability for loss or damage resulting from any reliance on the Information or use of it (including liability resulting from negligence or where the Group was aware of the possibility of such loss or damage arising) is excluded. This will not operate to limit or restrict the Group's liability for death or personal injury resulting from its negligence. SPC pro-SIGNAL is the registered trademark of the Group. © Premier Farnell plc 2009.

**TOLERANCES:  
UNLESS OTHERWISE SPECIFIED, DIMENSIONS ARE FOR REFERENCE PURPOSES ONLY.**

<b>DRAWN BY:</b>	<b>DATE:</b>
Shalini	23/05/09
<b>CHECKED BY:</b>	<b>DATE:</b>
Suresh	23/05/09
<b>APPROVED BY:</b>	<b>DATE:</b>
Farnell	08/06/09

**DRAWING TITLE:**

**6.35mm Jack - Plug, Mono, Black**

<b>SIZE</b> A	<b>DWG NO.</b>	<b>ELECTRONIC FILE</b> 1280914-TDS_DWG	<b>REV</b> A
<b>SCALE: NTS</b>		<b>U.O.M.: mm</b>	<b>SHEET: 2 OF 2</b>