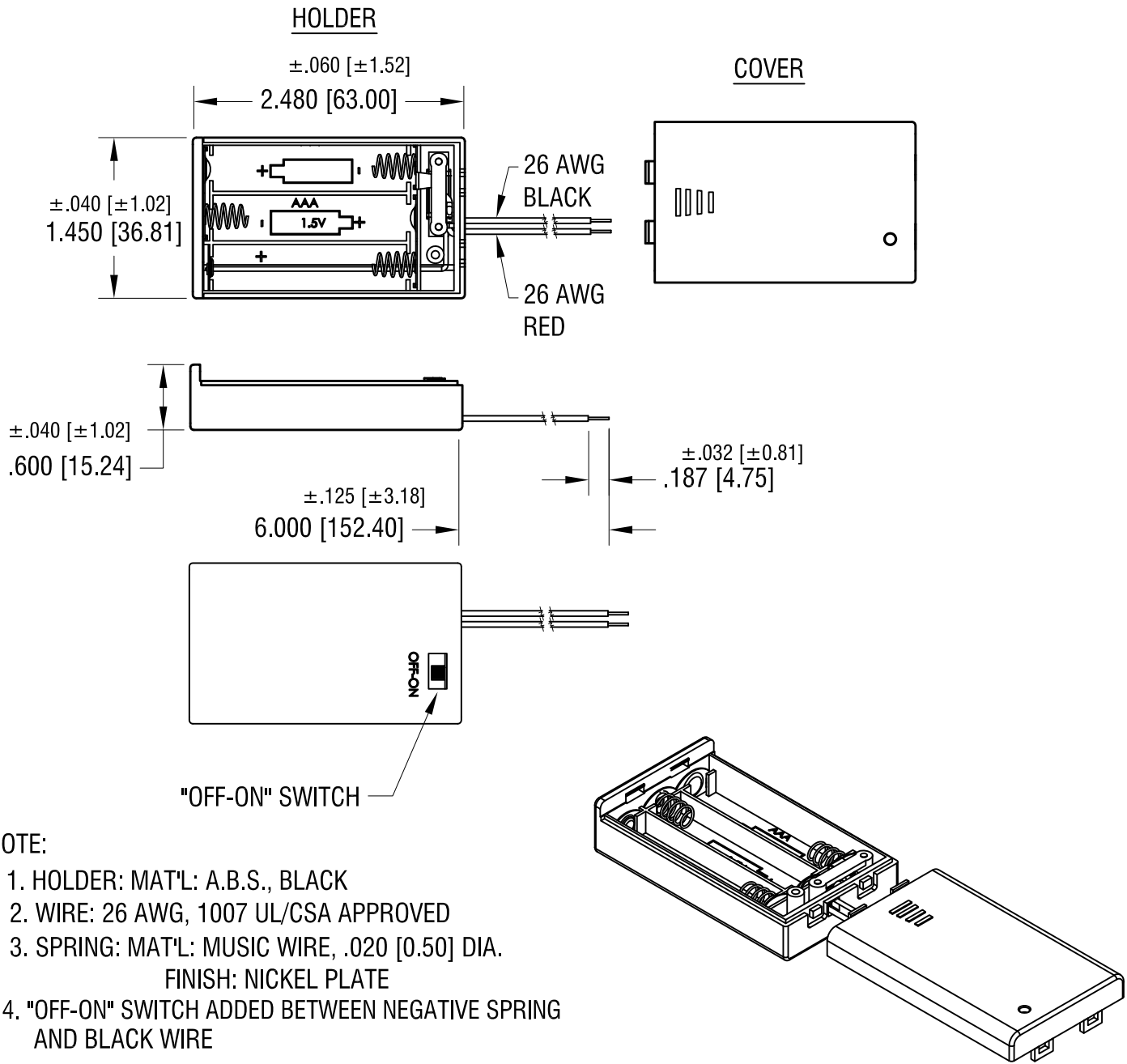


THIS DOCUMENT IS THE PROPERTY OF  
KEYSTONE ELECTRONICS CORP. AND  
SHALL NOT BE REPRODUCED, DISTRIBUTED  
OR USED AS A BASIS FOR MANUFACTURE  
WITHOUT PRIOR WRITTEN PERMISSION  
FROM KEYSTONE ELECTRONICS CORP.



**KEYSTONE ELECTRONICS CORP.**

www.keyelco.com • NEW HYDE PARK, NY 11040 • Tel (516) 328-7500

PART NAME  
**BATTERY HOLDER AND COVER (3) 'AAA'**

MATERIAL  
**AS NOTED**

FINISH <b>AS NOTED</b>	DRN BY <b>NT</b>	DATE <b>12.19.19</b>
	APP'D <b>RH</b>	SCALE <b>.7X</b>

TOLERANCES DECIMAL $\pm .015$ [ $\pm 0.38$ ]	INCH [MM]	CODE <b>C</b>	DWG NO. <b>2484SW</b>
ANGULAR $\pm 1^\circ$			
UNLESS OTHERWISE SPECIFIED			

DATE	DESCRIPTION	REV.