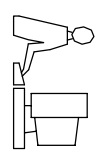
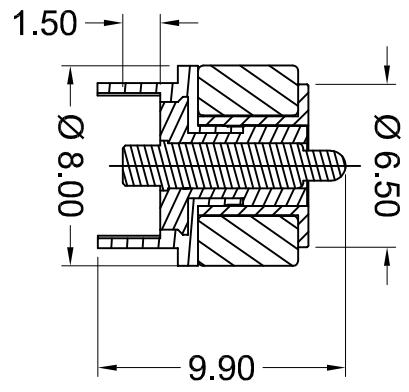
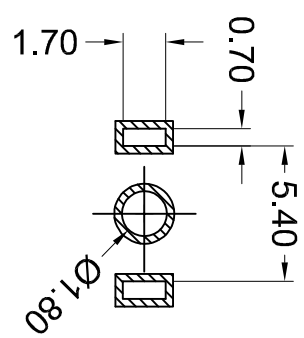
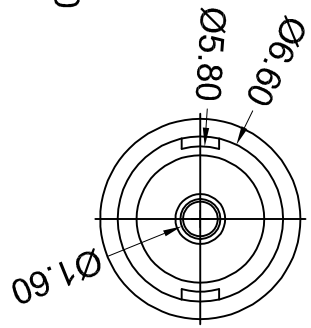
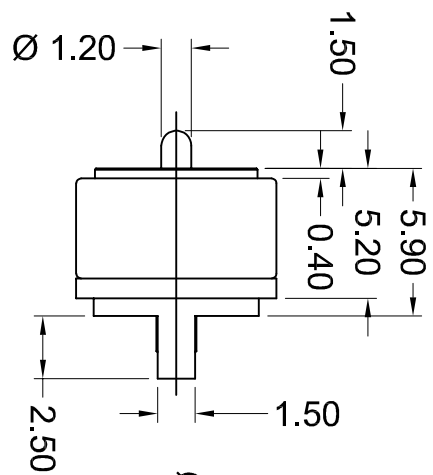
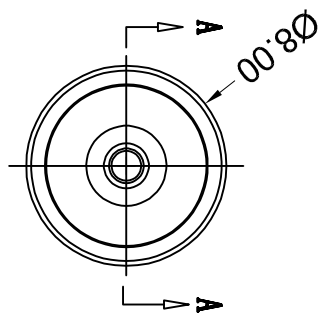


TOLERANCE UNLESS OTHERWISE SPECIFIED
.X ±0.15
.XX ±0.10

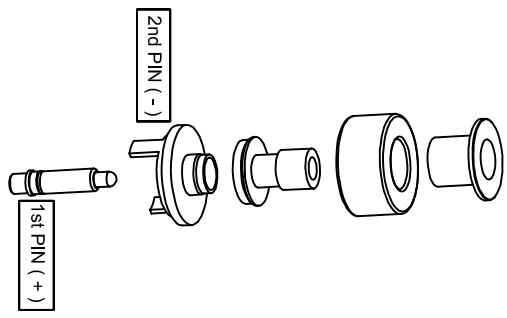
THIS IS A C.A.D. GENERATED DRAWING
DO NOT MAKE MANUAL REVISIONS TO MASTER.



ISSUE NUMBER	1
ORIGINAL	



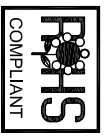
SECTION A-A



- SPECIFICATION:**
- 1.0 PLATING:**
- 1) POWER PIN: H59, 5µ" Au OVER 50 - 120µ" Ni
 - 2) HOUSING: PA46, BLACK
 - 3) MAGNET: N52
- 2.0 VOLTAGE RATING: 12V
 - 3.0 CURRENT RATING: 2A
 - 4.0 INSULATION RESISTANCE: 100MOHM MIN
 - 5.0 DIELECTRIC WITHSTANDING VOLTAGE: 100V AT 60HZ
 - 6.0 CONTACT RESISTANCE: 30 MOHM MAX BEFORE TEST AND 60MOHM AFTER TEST AT POGOPIN WORKING STROKE
 - 7.0 RECOMMENDED WORKING STROKE & FORCE: STROKE 1.1mm (PER CONTACT); 80±20gf
 - 8.0 MECHANICAL LIFE: 10,000 CYCLES MIN
 - 9.0 WORKING TEMPERATURE RANGE: -30°C TO +85°C
 - 10.0 MAGNET GAUSE VALUE: 2400±200GS

POGO CONNECTOR, 2 POS, MALE

ACAD REFERENCE NO.: M00-PG0-106-103		UNIT: MM
DRAWN: E.S.	DATE: JUN, 16/2022	
CHECKED: R.S.M.	DATE: JUN, 16/2022	
SCALE: (IN C.A.D. 1:1)	SHEET 1 OF 1	ISSUE 1
DRAWING NUMBER: M00-PG0-106-103		
PART NUMBER: M00-PG0-106-103		



THIS SERIES FULLY CONFORMS TO
THE EUROPEAN UNION DIRECTIVES
2011/65/EU FOR ROHS COMPLIANCY.



EDARC INC
TORONTO, ONTARIO
CANADA

THESE DRAWINGS AND SPECIFICATIONS
ARE THE PROPERTY OF EDARC INC. AND
SHALL NOT BE REPRODUCED OR COPIED
OR USED AS THE BASIS FOR THE
MANUFACTURE OR SALE OF APPARATUS
WITHOUT WRITTEN PERMISSION.

YOUR CONNECTION TO QUALITY & SERVICE