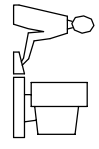
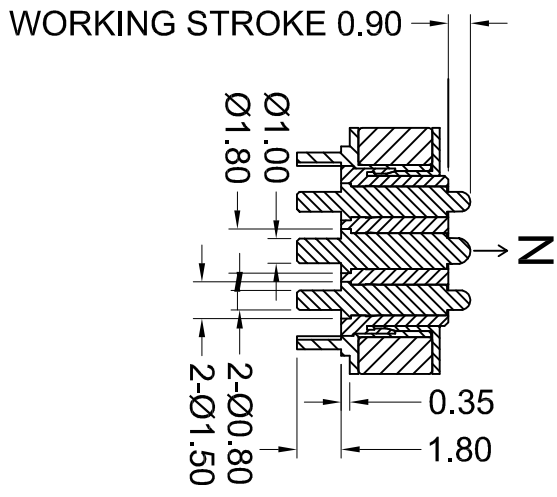
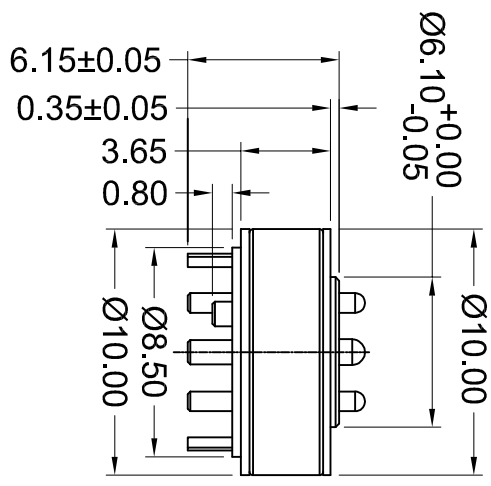


TOLERANCE UNLESS OTHERWISE SPECIFIED	
.X	±0.15
.XX	±0.10

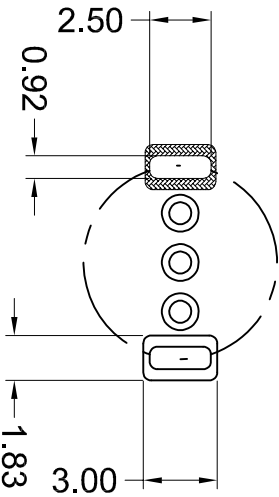
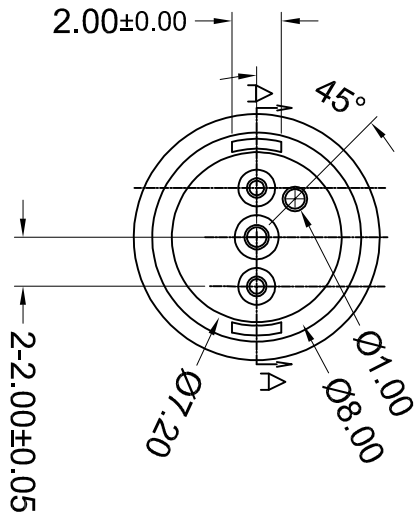
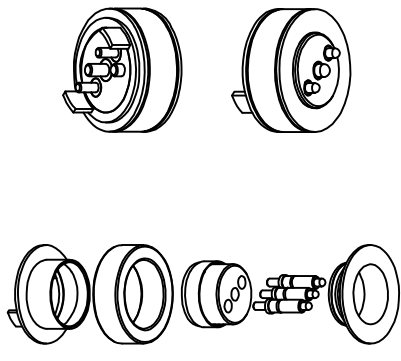
THIS IS A C.A.D. GENERATED DRAWING
DO NOT MAKE MANUAL REVISIONS TO MASTER



ISSUE NUMBER	1
ORIGINAL	



SPECIFICATION:
 VOLTAGE RATING: 5V
 CURRENT RATING: 2A MAX
 WORKING TEMPERATURE RANGE: -30°C TO +85°C



PCB LAYOUT
 LAYOUT TOLERANCE: ±0.05mm

Back shell	1pcs	C3604	Nickel 50um min plated	Ø10.0*5.45
Magnet	1pcs	N52	Nickel 50um min plated	Ø10.0*3.0*Ø7.0
Rubber compound	3g	PA9T	Black
POGO Pin	3pcs	Brass	Gold 0.075um min plated over 1.25~3.0um Nickel	Ø1.5*7.00
Front shell	1pcs	SUS316F	Ø10.0*2.95
Part Name	QTY	Material	Finish	Remarks

POGOPIN, 3POS, MALE

ACAD REFERENCE NO.: M00-PG0-103-105		UNIT: MM
DRAWN: E.S.	DATE: JUN 22/2022	
CHECKED: R.S.M.	DATE: JUN 22/2022	
SCALE: (IN C.A.D. 1:1)	SHEET 1 OF 1	ISSUE 1
DRAWING NUMBER: M00-PG0-103-105		
PART NUMBER: M00-PG0-103-105		



THIS SERIES FULLY CONFORMS TO THE EUROPEAN UNION DIRECTIVES 2011/65/EU FOR ROHS COMPLIANCY.



EDAC INC
 TORONTO, ONTARIO
 CANADA

THESE DRAWINGS AND SPECIFICATIONS ARE THE PROPERTY OF EDAC INC. AND SHALL NOT BE REPRODUCED OR COPIED OR USED AS THE BASIS FOR THE MANUFACTURE OR SALE OF APPARATUS WITHOUT WRITTEN PERMISSION.

YOUR CONNECTION TO QUALITY & SERVICE