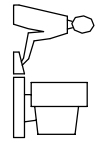
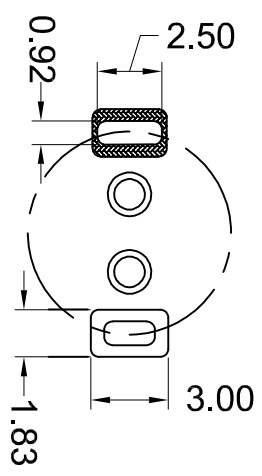
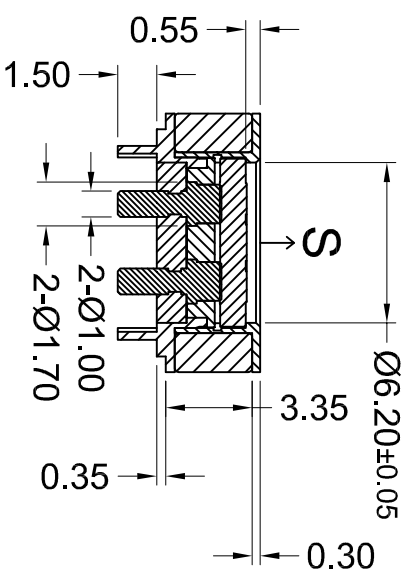
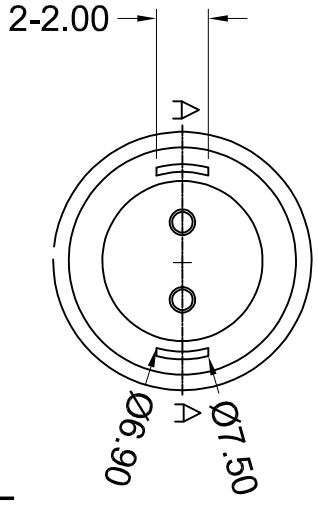
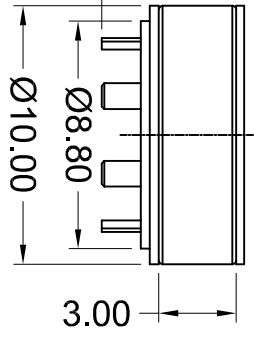
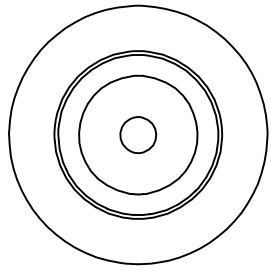


TOLERANCE UNLESS OTHERWISE SPECIFIED		
.X	±0.15	
.XX	±0.10	

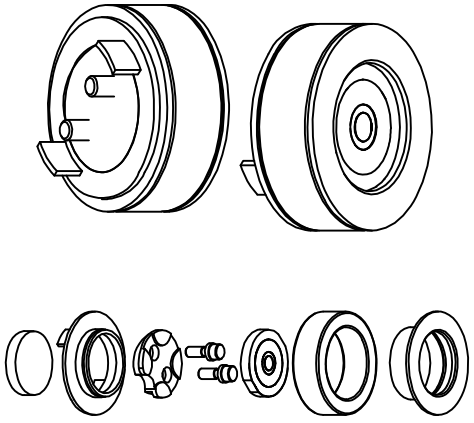
THIS IS A C.A.D. GENERATED DRAWING
DO NOT MAKE MANUAL REVISIONS TO MASTER



ISSUE NUMBER	①
ORIGINAL	



PCB LAYOUT
LAYOUT TOLERANCE: ±0.05mm



SPECIFICATION:

CONTACT: BRASS
PLATING: 0.075µm Au MIN PLATED OVER 1.25µm TO 3.0µm Ni
INSULATION: PA9T, BLACK
MAGNET: N52, 5.0µm Ni MIN PLATED
VOLATGE RATING: 5V
CURRENT RATING: 2A MAX
OPERATING TEMPERATURE RATING : -30°C ~+85°C

POGO CONNECTOR, 3 PIN, FEMALE

ACAD REFERENCE NO.: M00-PG0-203-105		UNIT: MM
DRAWN: E.S.	DATE: JUN 22/2022	
CHECKED: R.S.M.	DATE: JUN 22/2022	
SCALE: (IN C.A.D. 1:1)	SHEET 1 OF 1	ISSUE 1
DRAWING NUMBER: M00-PG0-203-105		
PART NUMBER: M00-PG0-203-105		



EDAC INC
TORONTO, ONTARIO
CANADA

THESE DRAWINGS AND SPECIFICATIONS ARE THE PROPERTY OF EDAC INC. AND SHALL NOT BE REPRODUCED OR COPIED OR USED AS THE BASIS FOR THE MANUFACTURE OR SALE OF APPARATUS WITHOUT WRITTEN PERMISSION.



THIS SERIES FULLY CONFORMS TO THE EUROPEAN UNION DIRECTIVES 2011/65/EU FOR ROHS COMPLIANCY.