

REVISIONS

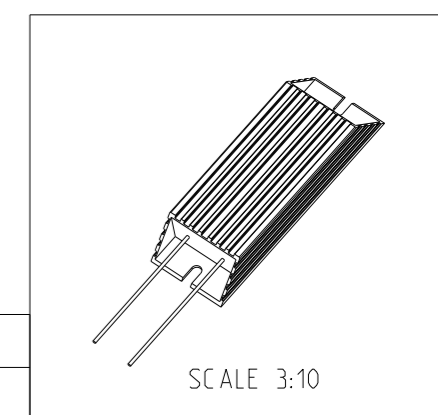
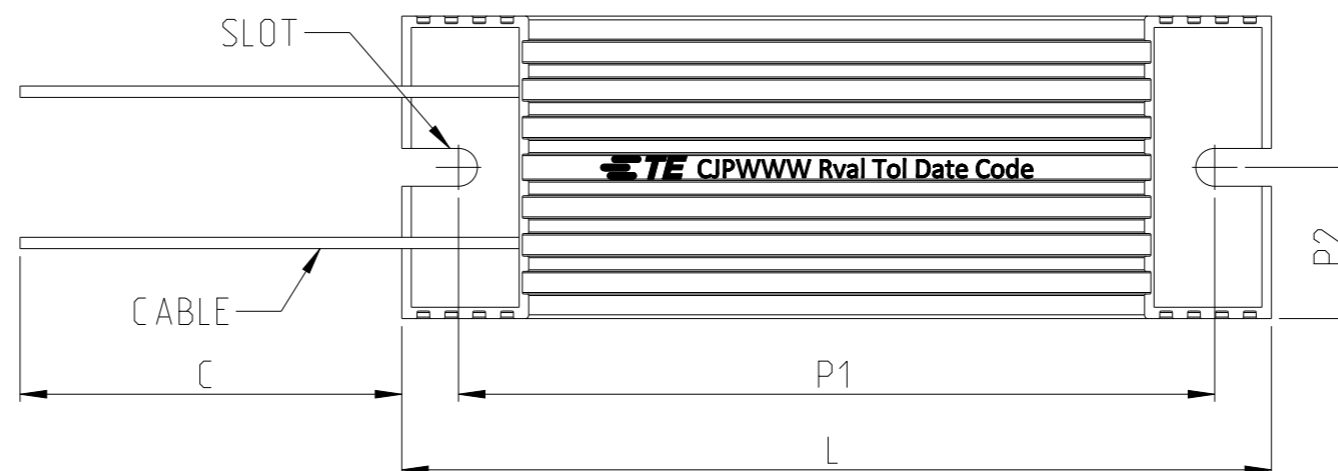
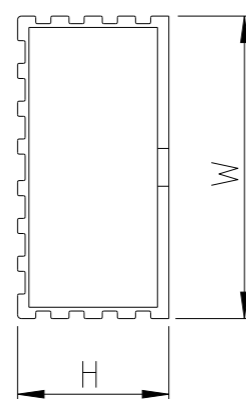
NOTE:

- 1 MOUNTING: 2x SLOT 5x10mm
- 2 TERMINATION CABLES: UL APPROVED FEP CABLES FOR THE TERMINATIONS, BASED ON THE RESISTOR CURRENT RATING (SEE CHART BELOW) WITH E5 RING TERMINALS


CURRENT RATING	CABLE SIZE USED
≤15A	16 AWG
>15A & ≤25A	14 AWG
>25A & ≤35A	12 AWG

3 FOR FURTHER INFORMATION SEE DATA SHEET FOR CJP SERIES OF ALUMINIUM HOUSED RESISTOR

P	LTR	DESCRIPTION	DATE	DWN	APVD
	A	INITIAL DRAWING RELEASE	26MAY2022	KS	AP



PART NUMBER	L	W	H	C	P1	P2
CJP60	115	40	20	290	100	20

THIS DRAWING IS A CONTROLLED DOCUMENT.		DWN KARTHIK S 26MAY2022	 TE Connectivity	NAME ALUMINIUM ENCLOSED RESISTOR CJP60 SERIES												
DIMENSIONS: mm		CHK ALLAN P 26MAY2022		PRODUCT SPEC												
TOLERANCES UNLESS OTHERWISE SPECIFIED:		APVD ALLAN P 26MAY2022		APPLICATION SPEC												
<table border="1"> <tr><td>0 PLC</td><td>±-</td></tr> <tr><td>1 PLC</td><td>±0.5</td></tr> <tr><td>2 PLC</td><td>±0.13</td></tr> <tr><td>3 PLC</td><td>±0.013</td></tr> <tr><td>4 PLC</td><td>±0.0001</td></tr> <tr><td>ANGLES</td><td>±</td></tr> </table>		0 PLC		±-	1 PLC	±0.5	2 PLC	±0.13	3 PLC	±0.013	4 PLC	±0.0001	ANGLES	±	WEIGHT	
0 PLC	±-															
1 PLC	±0.5															
2 PLC	±0.13															
3 PLC	±0.013															
4 PLC	±0.0001															
ANGLES	±															
MATERIAL		FINISH		SIZE A3	CAGE CODE 00779	DRAWING NO C=2176502	RESTRICTED TO									
CUSTOMER DRAWING				SCALE 1:1	SHEET 1 OF 2	REV A										

REVISIONS

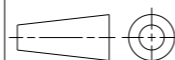
P	LTR	DESCRIPTION	DATE	DWN	APVD
	-	SEE SHEET 1	-	-	-

SCHEDULE

TCPN	PRODUCT NUMBER	MATERIAL DESCRIPTION	PART STATUS
2176502-1	C JP60JR22J	C JP 60W R22 5% LEAD	PRODUCTION
2176502-2	C JP60JR27J	C JP 60W R27 5% LEAD	PRODUCTION
2176502-3	C JP60JR33J	C JP 60W R33 5% LEAD	PRODUCTION
2176502-4	C JP60JR39J	C JP 60W R39 5% LEAD	PRODUCTION
2176502-5	C JP60JR47J	C JP 60W R47 5% LEAD	PRODUCTION
2176502-6	C JP60JR56J	C JP 60W R56 5% LEAD	PRODUCTION
2176502-7	C JP60JR68J	C JP 60W R68 5% LEAD	PRODUCTION
2176502-8	C JP60JR82J	C JP 60W R82 5% LEAD	PRODUCTION
2176502-9	C JP60J1R0J	C JP 60W 1R0 5% LEAD	PRODUCTION
1-2176502-0	C JP60J1R2J	C JP 60W 1R2 5% LEAD	PRODUCTION
1-2176502-1	C JP60J1R5J	C JP 60W 1R5 5% LEAD	PRODUCTION
1-2176502-2	C JP60J1R8J	C JP 60W 1R8 5% LEAD	PRODUCTION
1-2176502-3	C JP60J2R2J	C JP 60W 2R2 5% LEAD	PRODUCTION
1-2176502-4	C JP60J2R7J	C JP 60W 2R7 5% LEAD	PRODUCTION
1-2176502-5	C JP60J3R3J	C JP 60W 3R3 5% LEAD	PRODUCTION
1-2176502-6	C JP60J3R9J	C JP 60W 3R9 5% LEAD	PRODUCTION
1-2176502-7	C JP60J4R7J	C JP 60W 4R7 5% LEAD	PRODUCTION
1-2176502-8	C JP60J5R6J	C JP 60W 5R6 5% LEAD	PRODUCTION
1-2176502-9	C JP60J6R8J	C JP 60W 6R8 5% LEAD	PRODUCTION
2-2176502-0	C JP60J8R2J	C JP 60W 8R2 5% LEAD	PRODUCTION
2-2176502-1	C JP60J10RJ	C JP 60W 10R 5% LEAD	PRODUCTION
2-2176502-2	C JP60J12RJ	C JP 60W 12R 5% LEAD	PRODUCTION
2-2176502-3	C JP60J15RJ	C JP 60W 15R 5% LEAD	PRODUCTION
2-2176502-4	C JP60J18RJ	C JP 60W 18R 5% LEAD	PRODUCTION

THIS DRAWING IS A CONTROLLED DOCUMENT.

DIMENSIONS:  
mm



MATERIAL

TOLERANCES UNLESS OTHERWISE SPECIFIED:

- 0 PLC ±-
- 1 PLC ±0.5
- 2 PLC ±0.13
- 3 PLC ±0.013
- 4 PLC ±0.0001
- ANGLES ±

FINISH

DWN KARTHIK S 26MAY2022

CHK ALLAN P 26MAY2022

APVD ALLAN P 26MAY2022

PRODUCT SPEC

APPLICATION SPEC

WEIGHT

CUSTOMER DRAWING



TE Connectivity

NAME ALUMINIUM ENCLOSED RESISTOR  
CJP60 SERIES

SIZE CAGE CODE DRAWING NO RESTRICTED TO

A3 00779 C=2176502

SCALE 1:1 SHEET 2 OF 2 REV A