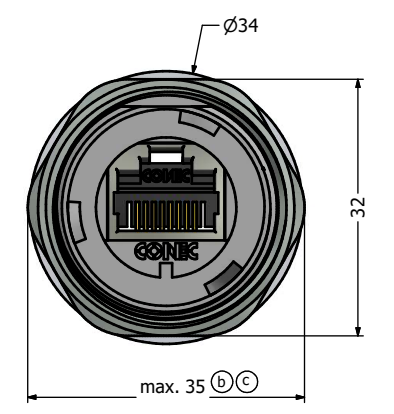
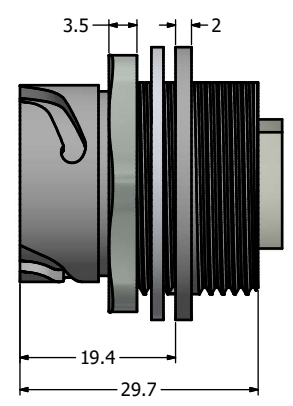
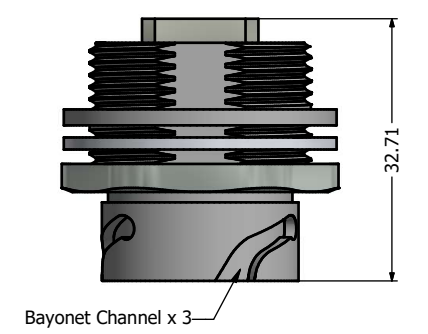
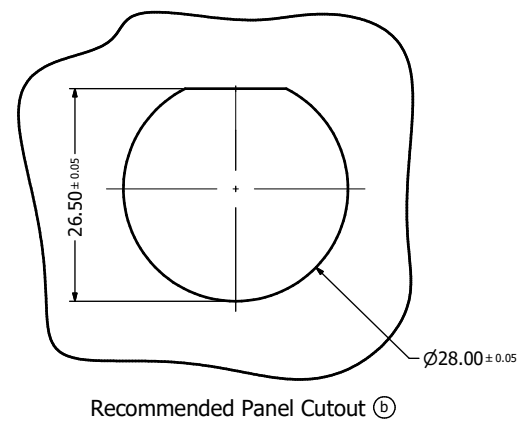
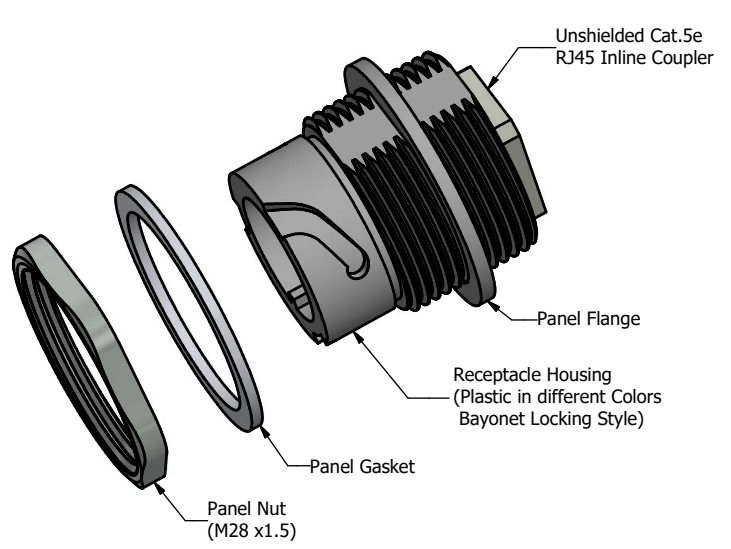


6 5 4 3 2 1



**Notes:**

- Electrical Specifications:
  - Meets EIA/TIA-568-B.2 Cat.5e Specification
  - Contact Resistance: 20mOhm max.
  - Insulation Resistance: 500MOhm min. @ 100 VDC
  - Current Rating: 1.2A max. at 25° C
  - Working Voltage: 100 VDC
  - DWV: 1000 VDC/60s Contact to Contact, 1500 VDC/60s Contact to Metal Shell
  - Operating Temperature: -40° C to +85° C
- Material and Finish:
  - Receptacle Housing: Polyester (Color: see Part Number Table); UL94 V-0
  - Panel Nut: Brass, Finish: Nickel Plated
  - Panel Gasket: Silicon, Color: White
  - Cat.5e RJ45 Inline Coupler Metal Shell: Copper Alloy, Nickel Plated
  - Cat.5e RJ45 Inline Coupler Plastic Housing: Glass filled PBT UL94 V-0, Color: Black
  - Cat5e RJ45 Inline Coupler Contacts: Phosphor Bronze, Finish: 50u" Gold min. over Nickel
- Connector can be front or rear mounted to a maximum panel thickness of 3.2mm.
- IP67 rated when covered or fully mated with the appropriate mating connector
- RoHS compliant

Description	Colored Plastic Receptacle Housing with Unshielded Cat.5e RJ45 Inline Coupler					
Plastic Receptacle Housing Color	Black	Blue	Green	Yellow	Red	White
Part Number	17-10019	17-102324	17-102334	17-102344	17-102354	17-102364

THIS DRAWING MAY NOT BE COPIED OR REPRODUCED IN ANY MANNER WITHOUT THE WRITTEN PERMISSION OF CONEC CORPORATION OWNERSHIP AND COPYRIGHT OF CONEC CORPORATION	Customer:			Tolerance Unless otherwise specified		Autodesk Inventor	Scale: 1.5:1	Dim. in mm
	Name	Title	Approval Date	0 PLC ± 0.50	1 PLC ± 0.38		Material: See Notes	
				2 PLC ± 0.25	3 PLC ± 0.10	Title: Receptacle Assembly Kit		
				Angles ± 3°	Norm	Colored Plastic Receptacle Housing with Unshielded Cat. 5e RJ45 Inline Coupler		
1 x c	A21-0426	26.10.2021	Bub	2011	Date	Name	Drawing No.: 17K1A181	
b		Mar/08/2011	Vincent ke	Draw.	Jan. 28	Vincent Ke	DIN A3	
a	original			Appd.	Jan. 28	J. Chaudry	Sheet 1/1	
Rev	Changes	Date	Name	Norm			Part No.: SEE PART NUMBER TABLE	

RoHS compliant



6 5 4 3 2 1