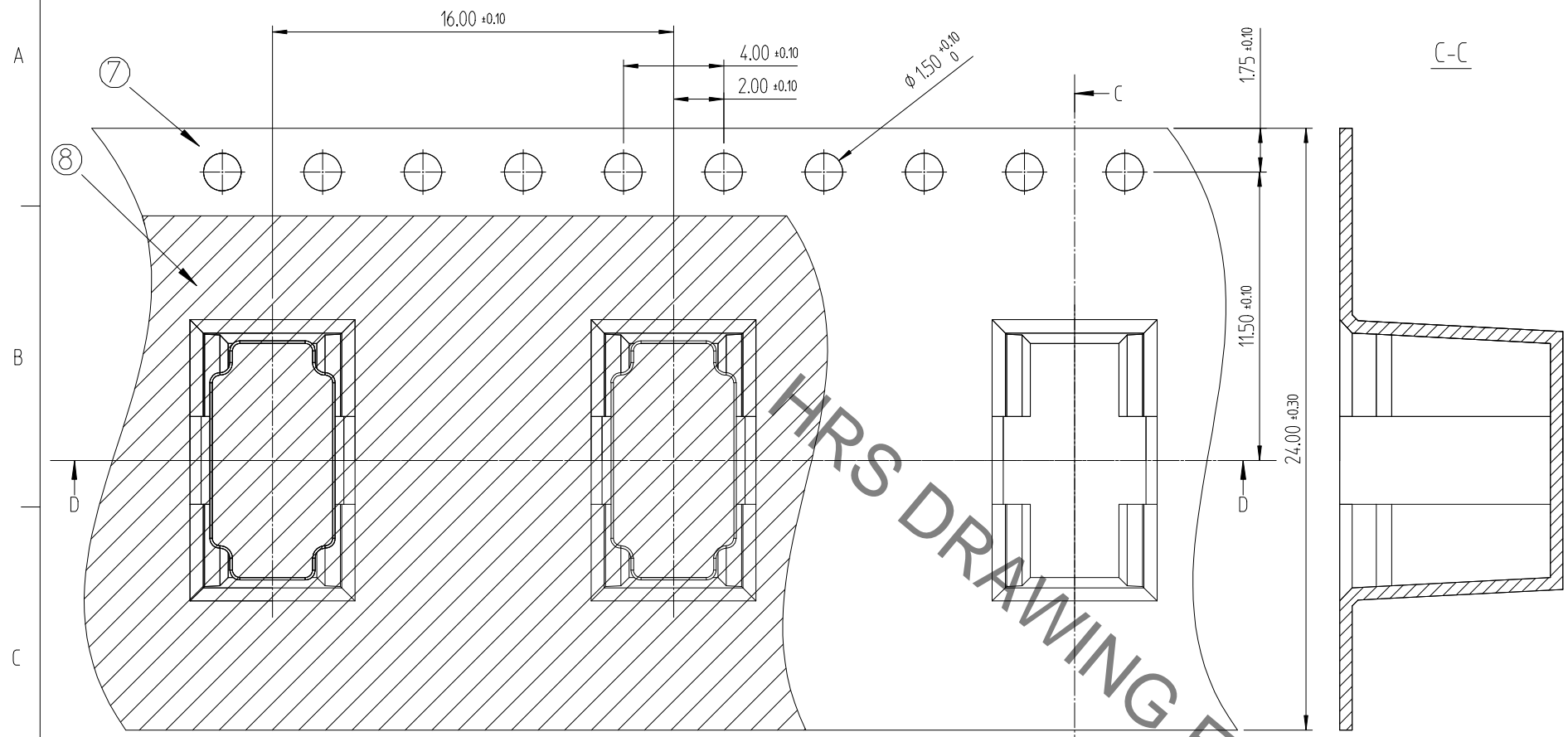


Sep.1.2022 Copyright 2022 HIROSE ELECTRIC CO., LTD. All Rights Reserved.
In case of consideration for using Automotive equipment / device which demand high reliability, kindly contact our sales window correspondents.

DRAWING FOR PACKING

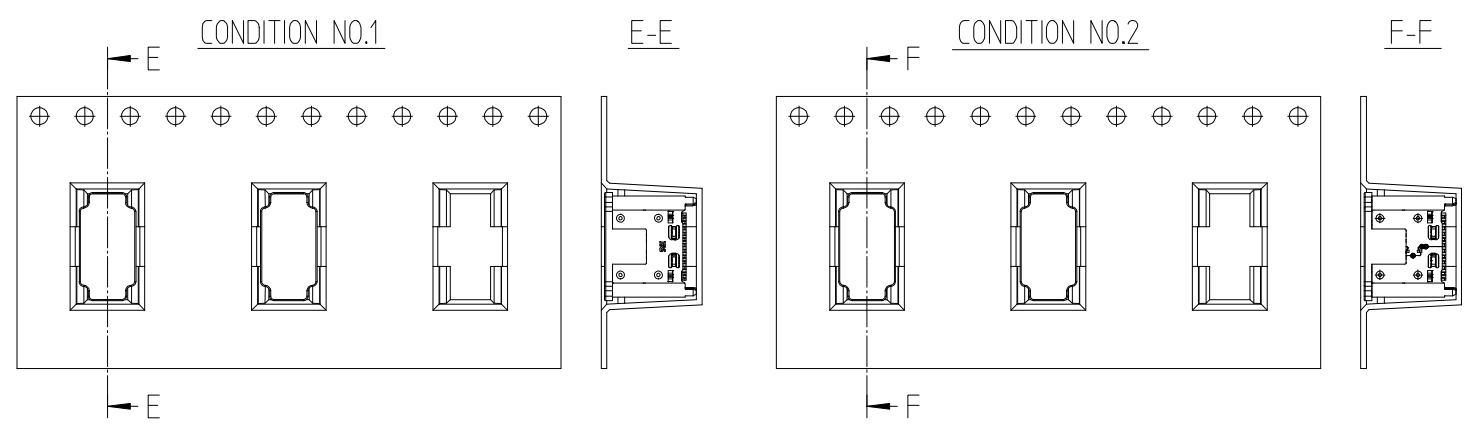
DIRECTION OF UNREELING



PIN ASSIGNMENT(FRONT-VIEW)

A1	A2	A3	A4	A5	A6	A7	A8	A9	A10	A11	A12
GND	TX1+	TX1-	Vbus	CC1	D+	D-	SBU1	Vbus	RX2-	RX2+	GND
B12	B11	B10	B9	B8	B7	B6	B5	B4	B3	B2	B1

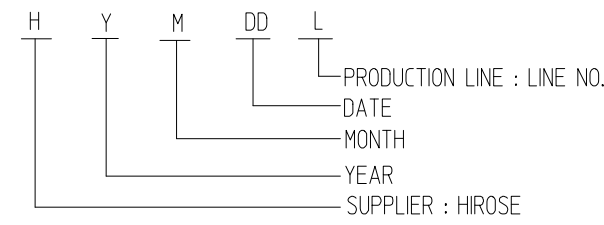
PACKING CONDITION



[NOTE]

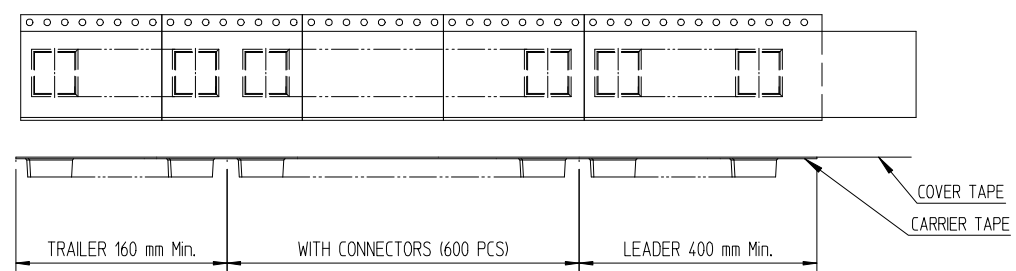
1) Co-planarity of all contact tails
- 0.08MAX Before Reflow , 0.10MAX After Reflow 2times

2) Lot marking : 6 digits (HYMDDL)



MARKER	YEAR	MONTH	DAY	LINE	MARK
HIROSE	2017	7	JAN	1 1st	01
	2018	8	FEB	2 2nd	02
	2019	9	MAR	3 3th	03
	2020	0	APR	4 4th	04
	2021	1	MAY	5 5th	05
	2022	2	JUN	6 6th	06
	2023	3	JUL	7 7th	07
	2024	4	AUG	8 8th	08
	2025	5	SEP	9 9th	09
	2026	6	OCT	A 10th	10
			NOV	B 11th	11
			DEC	C

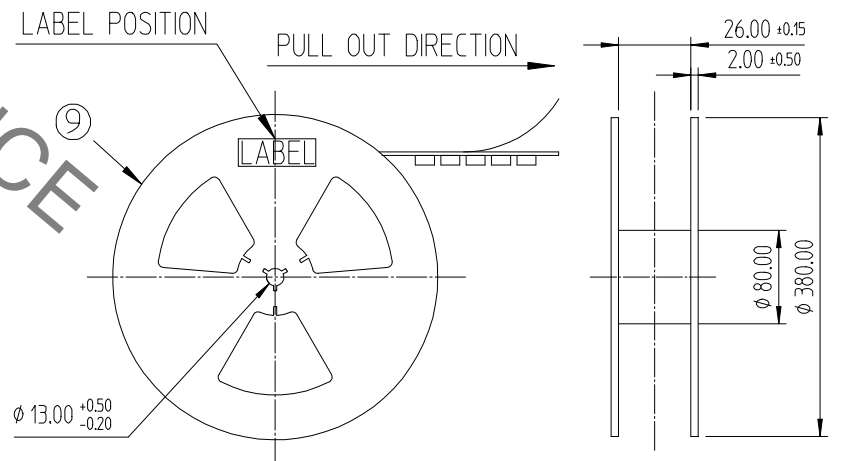
3. Carrier tape packing
Packing quantity : 600EA/REEL
Cover tape peeling force : 30~100gf(0.3~1.0N) @ 300mm/min



4) PICKUP AREA

5. APPLICABLE MASK
THICKNESS : 0.10mm
OPEN RATE : 120%

6) PACKING CONDITION



9	REEL BOBBIN	PS	-	-
8	COVER TAPE	PET	-	-
7	EMBOSS TAPE	PS	-	-
NO.	DISCRIPTIONS	MATERIAL	FINISH	REMARKS

SCALE 4:1	DRAWING NO. EDC3-633480	PART NO. CX80B2-24P
UNITS mm	HIROSE KOREA CO.,LTD.	CODE NO CL 6245-0001-0