

MATING: ① INSERTING (25°) → ② ROTATING → ③ FIXED
 UNMATING: ④ UNFIXED → ⑤ ROTATING → ⑥ WITHDRAWAL

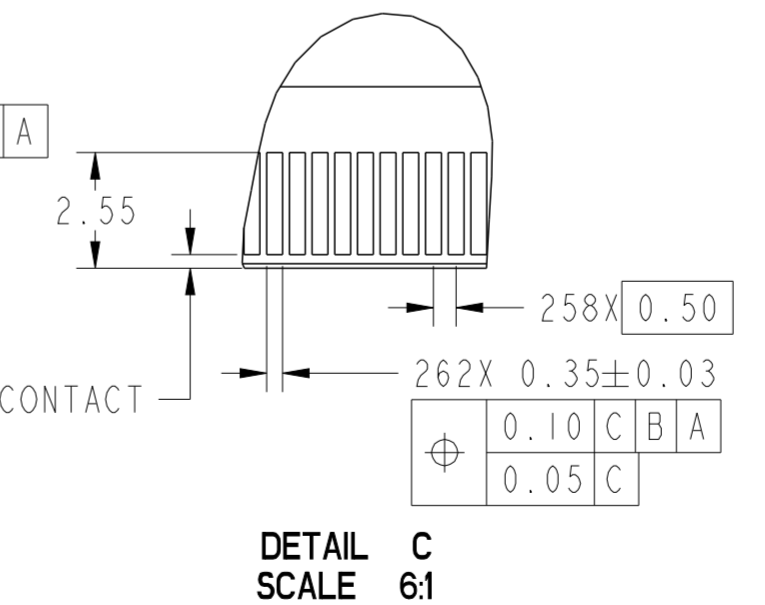
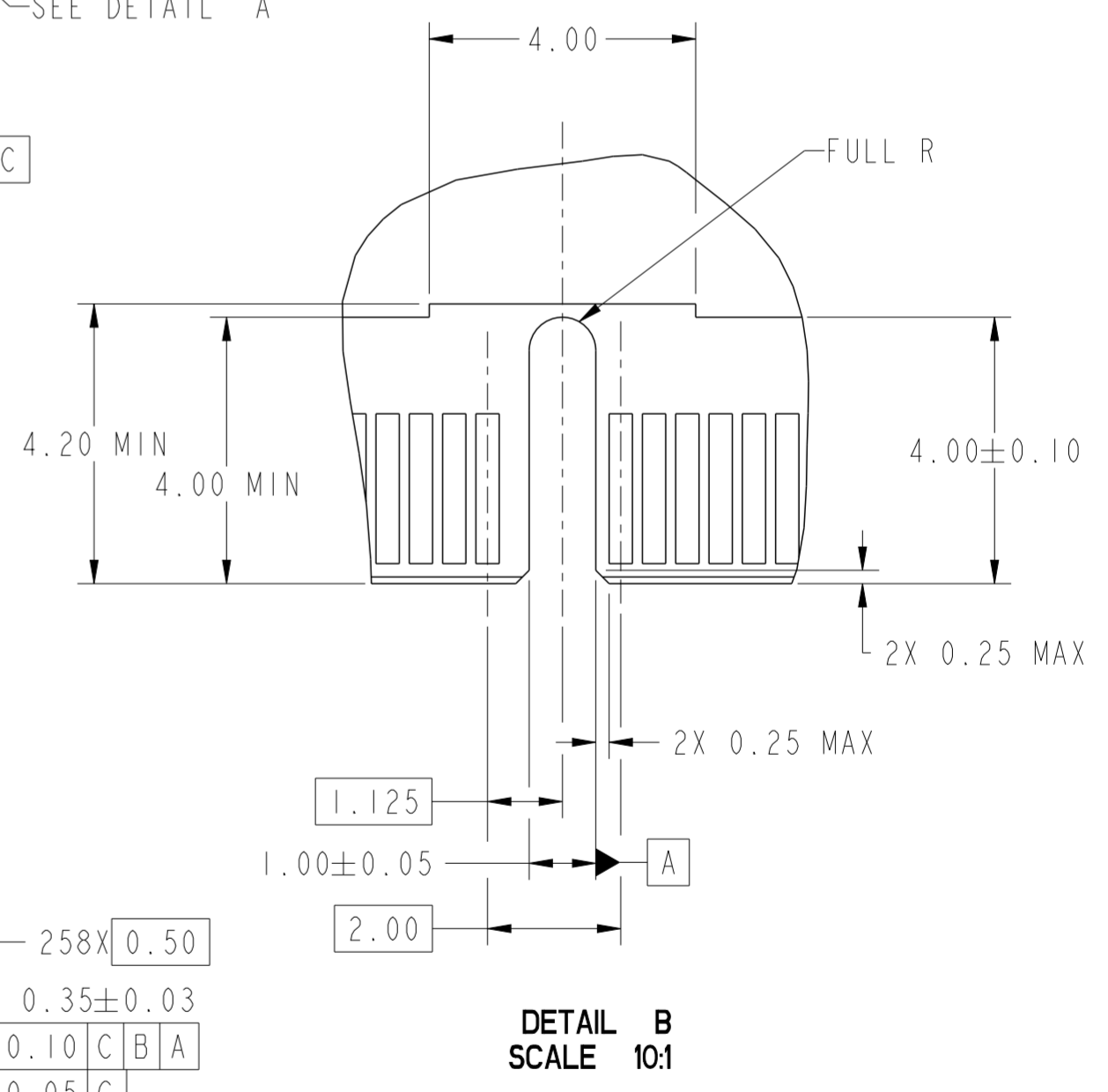
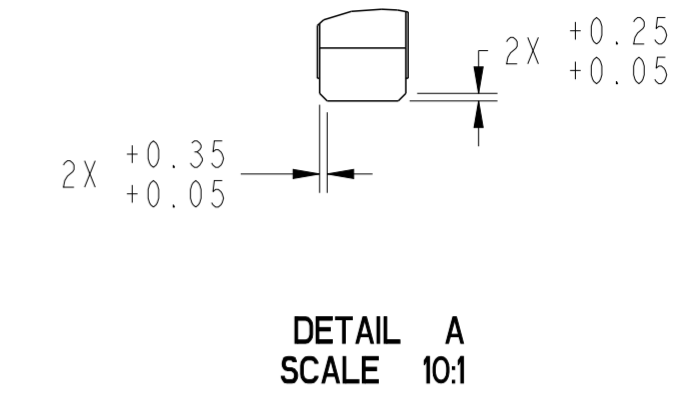
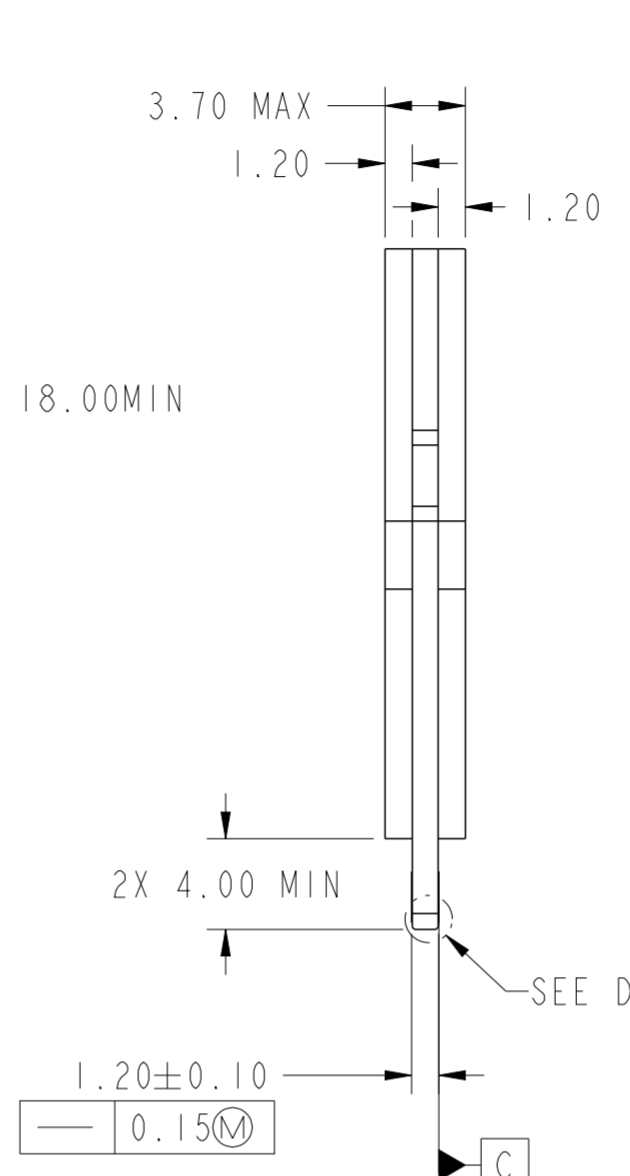
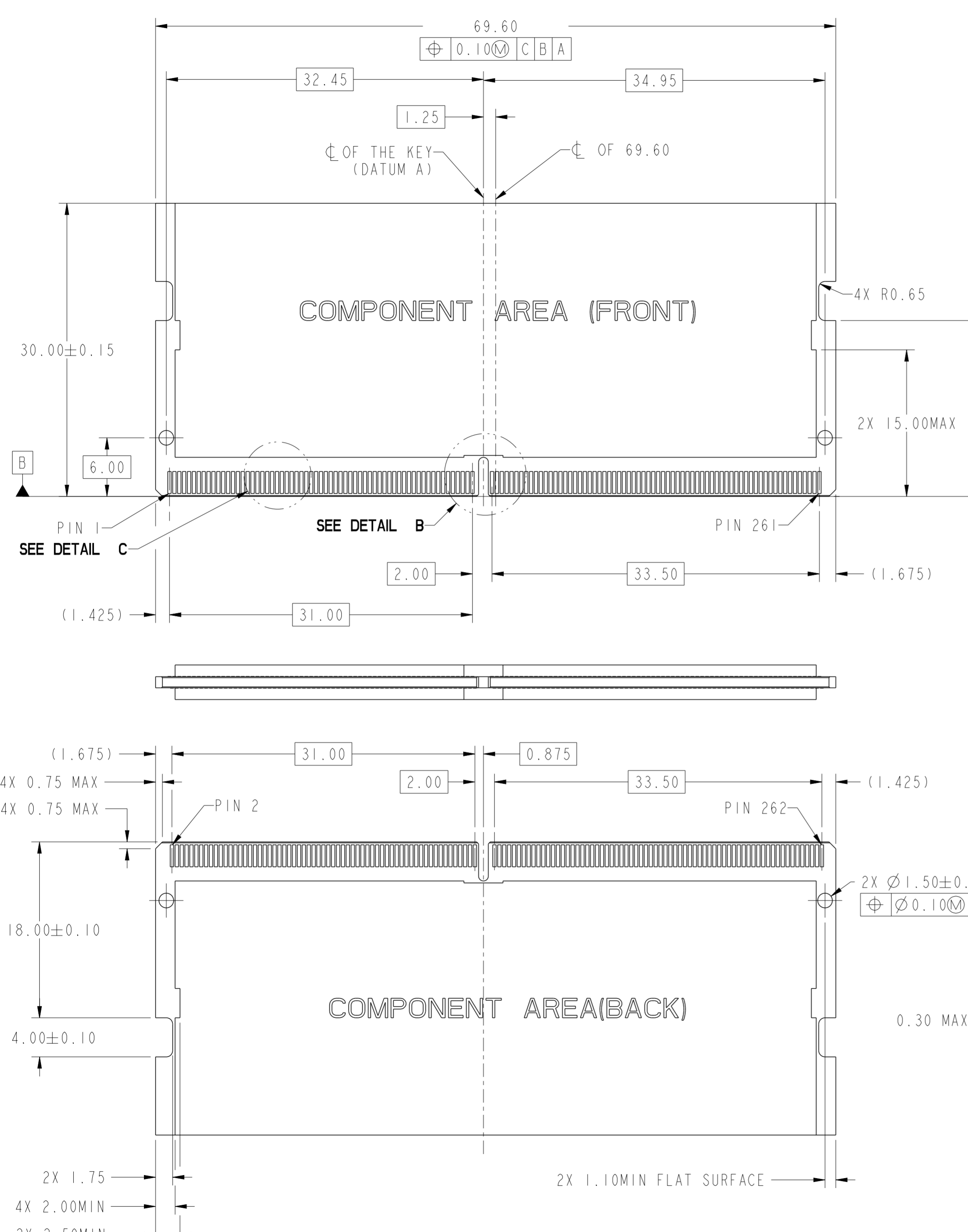
PRELIMINARY

| | | | | | | | | | |
|---------------------------------------|---------|--------------|------------|--------------|----------|------------------------|------------------------|--------------|-------------|
| spec ref | dr | He-Jie Zhang | 2021/12/22 | projection | MM | size | A2 | scale | 1:1 |
| tolerance std | eng | - | 2021/12/22 | | | ecn no | - | rel level | Preliminary |
| ASME_Y14.5 | chr | - | - | | | product family | - | | |
| TOLERANCES UNLESS OTHERWISE SPECIFIED | appr | - | - | Amphenol FCI | title | DDR5 SODIMM R/A 262PIN | dwg no | 10157591 | rev |
| surface | linear | 0.X | ±0.30 | 8.0H_STD_ASS | cat. no. | - | Product - Customer Drw | sheet 1 of 4 | 1 |
| ASME_Y14.5 | angular | 0° | ±2° | | | | | | |

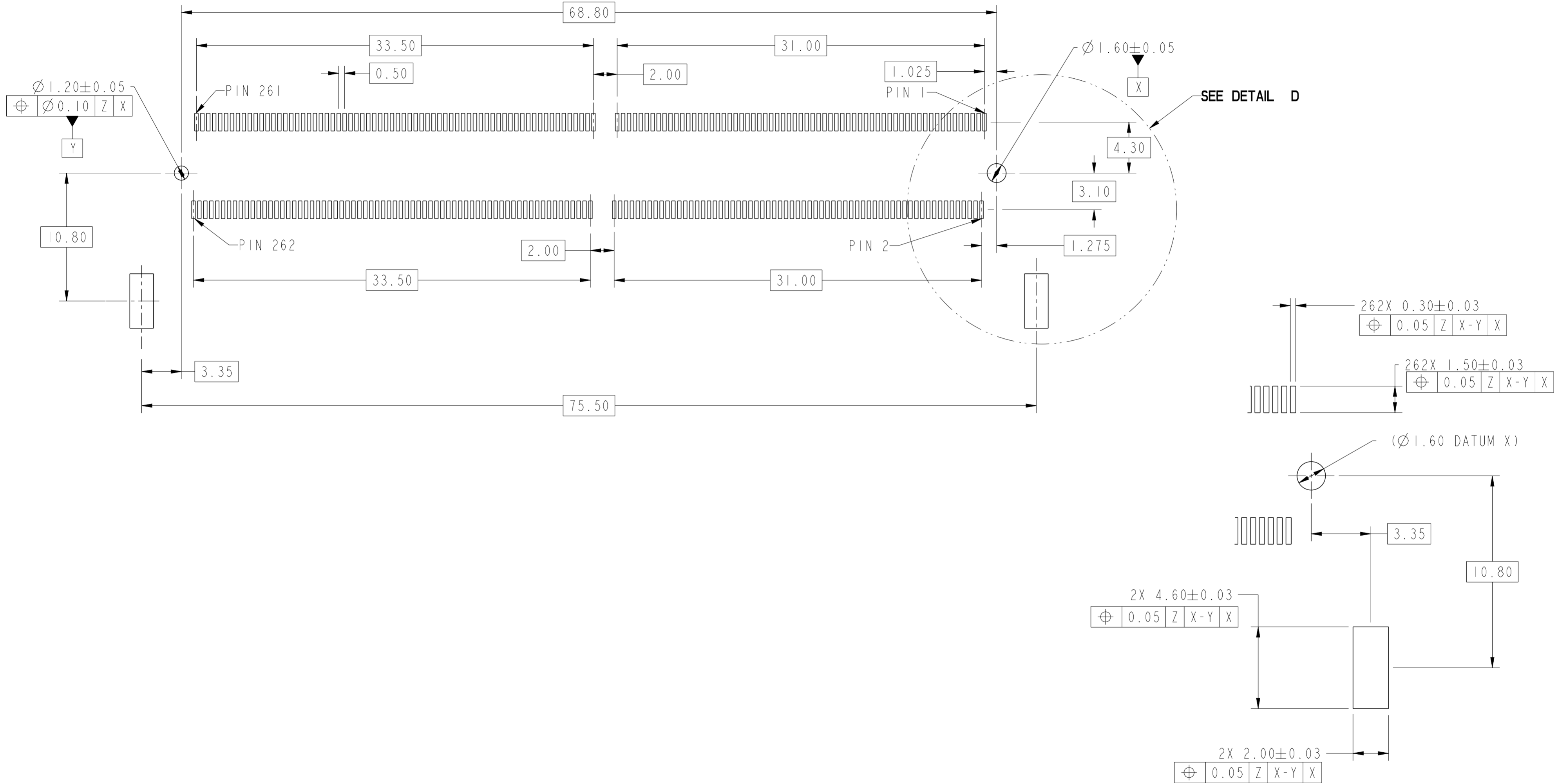
Amphenol FCI

© 2020 Amphenol Corporation

© 2020 Amphenol Corporation
Amphenol FCI



| | | | | | | | | | |
|---------------|---------|--------------|------------|---------------------|----|---|----|--------------------|-------------|
| spec ref | dr | He-Jie Zhang | 2021/12/22 | projection | MM | size | A2 | scale | 1:1 |
| tolerance std | eng | - | 2021/12/22 | | | ecn no | - | rel level | Preliminary |
| ASME_Y14.5 | chr | - | appr | | | | | | |
| surface | linear | 0.X | ±0.30 | Amphenol FCI | | title DDR5 SODIMM R/A 262PIN 8.0H_STD_ASS | | dwg no 10157591 | rev 1 |
| ASME_Y14.5 | angular | 0° | ±2° | cat. no. | - | Product - Customer Drw | | sheet 2 of 4 | |



DETAIL D
SCALE 6:1

| | | | | | | | | | |
|---------------------------------------|---------|--------------|------------|----------------|---|--------------------|------------------------|--------------|-------------|
| spec ref | dr | He-Jie Zhang | 2021/12/22 | projection | MM | size | A2 | scale | 1:1 |
| tolerance std | eng | - | 2021/12/22 | | | ecn no | - | rel level | Preliminary |
| ASME_Y14.5 | chr | - | appr | | | | | | |
| TOLERANCES UNLESS OTHERWISE SPECIFIED | | | | product family | - | cat. no. | Product - Customer Drw | sheet 3 of 4 | |
| surface | linear | 0.X | ±0.30 | | title DDR5 SODIMM R/A 262PIN 8.0H_STD_ASS | dwg no 10157591 | rev 1 | | |
| | | 0.XX | ±0.20 | | | | | | |
| | | 0.XXX | ±0.10 | | | | | | |
| ASME_Y14.5 | angular | 0° | ±2° | | | | | | |

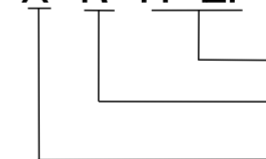
© 2020 Amphenol Corporation

NOTES:

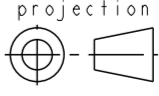
1. MATERIAL:
 - 1.1 HOUSING:HIGH TEMPERATURE MATERIAL ,COLOR:BLACK.
 - 1.2 CONTACT:COPPER ALLOY.
 - 1.3 LATCH:STAINLESS STEEL.
2. FINISH:
 - 2.1 CONTACT: GOLD FLASH PLATING ON SOLDERTAIL.
GOLD PLATING (THICKNESS SEE PART NUMBER DESCRIPTION)
ON CONTACT AREA.
 - 2.2 LATCH: NICKEL PLATING ALL OVER
3. PRODUCT SPECIFICATION:GS-12-1667
4. PACKAGE SPECIFICATION:GS-14-786
5. PRODUCT MARKING,(PART NUMBER&LOT CODE),ON THIS SURFACE
6. LEAD FREE PRODCUT MEETS THE EUROPEAN UNION DRECTIVES&OTHER COUNTRY REGULATIONS AS DESCRIBED IN GS-47-0004
7. THE CONNECTOR WILL WITHSTAND EXPOSURE TO 260°C PEAK TEMPERATURE FOR 10-30 SECONDS IN CONVECTION,INFAR-RED ,OR VAPOR PHASE REFLOW OVEN

PART NUMBER DESCRIPTION:

10157591-0 0 X R H LF



 HALOGEN FREE& LEAD FREE
 R:TAPE&REEL PACKING
 PLATING CODE:
 1:GF
 2: Au 10u"
 4: Au 15u"
 5: Au 30u"

| | | | | | | | | | |
|---------------------------------------|---------|--------------|------------|---|----|------------------------|--------------|--------------|-------------|
| spec ref | dr | He-Jie Zhang | 2021/12/22 | projection | MM | size | A2 | scale | 1:1 |
| tolerance std | eng | - | 2021/12/22 |  | ←→ | ecn no | - | rel level | Preliminary |
| ASME_Y14.5 | chr | - | appr | | | | | | |
| TOLERANCES UNLESS OTHERWISE SPECIFIED | | Amphenol FCI | | title | | DDR5 SODIMM R/A 262PIN | | 8.0H_STD_ASS | |
| surface | linear | 0.X | ±0.30 | cat. no. | - | Product - Customer Drw | sheet 4 of 4 | rev | 1 |
| ASME_Y14.5 | angular | 0° | ±2° | - | | - | | - | |