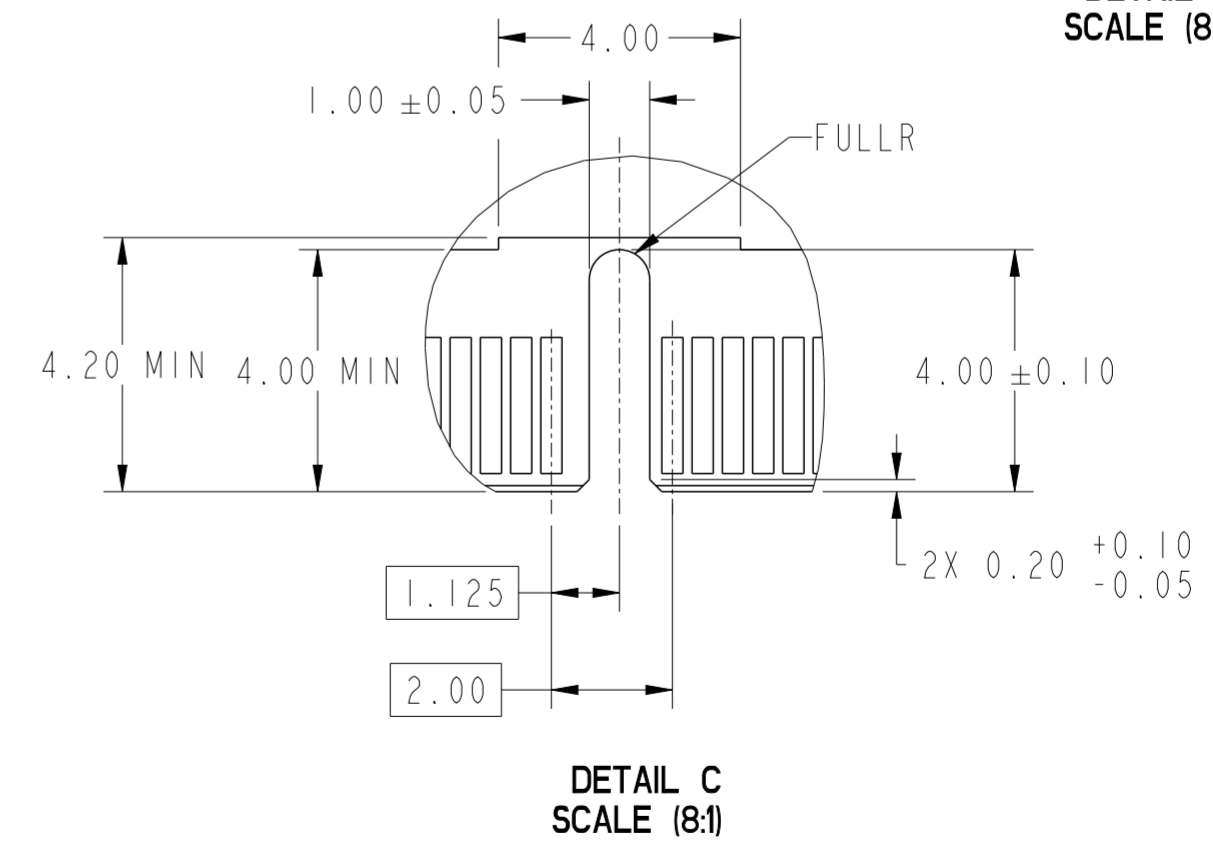
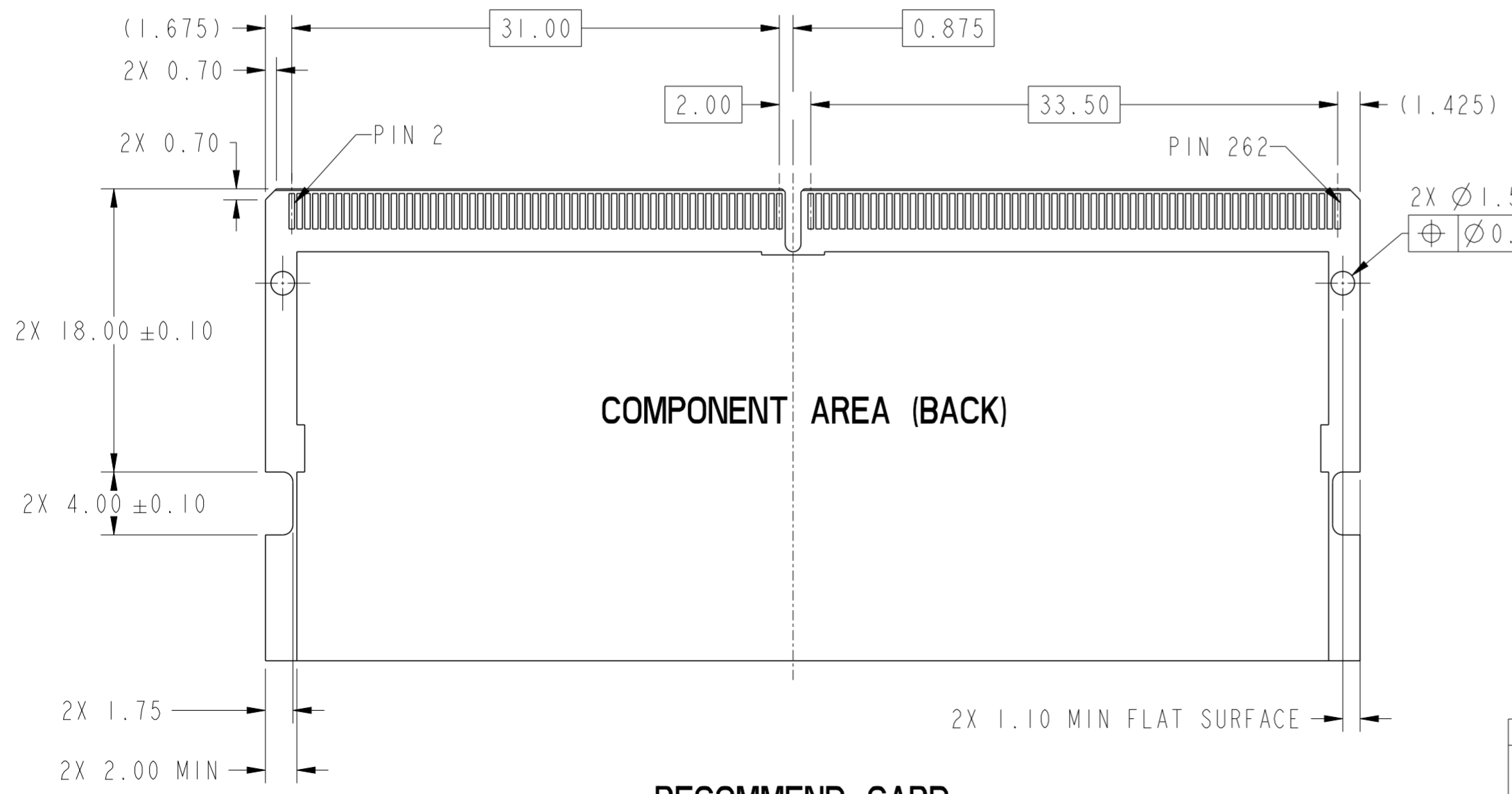
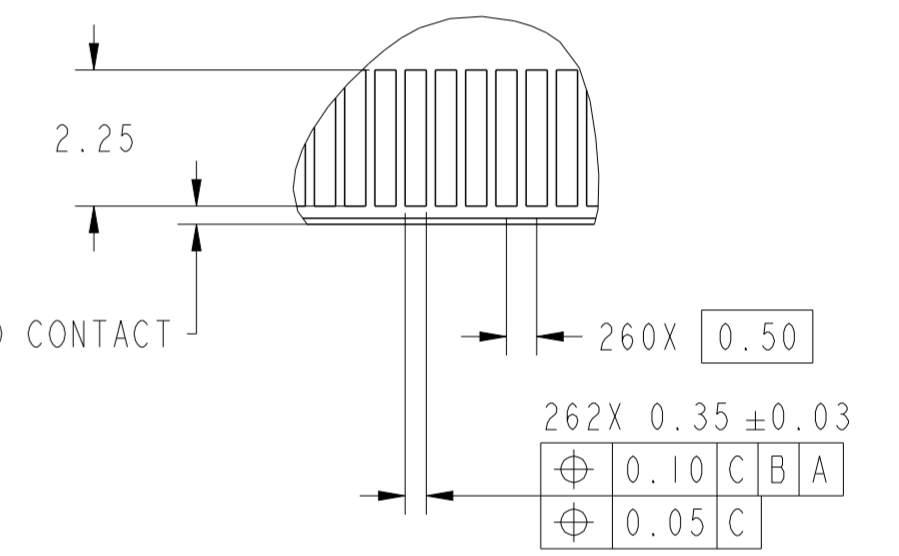
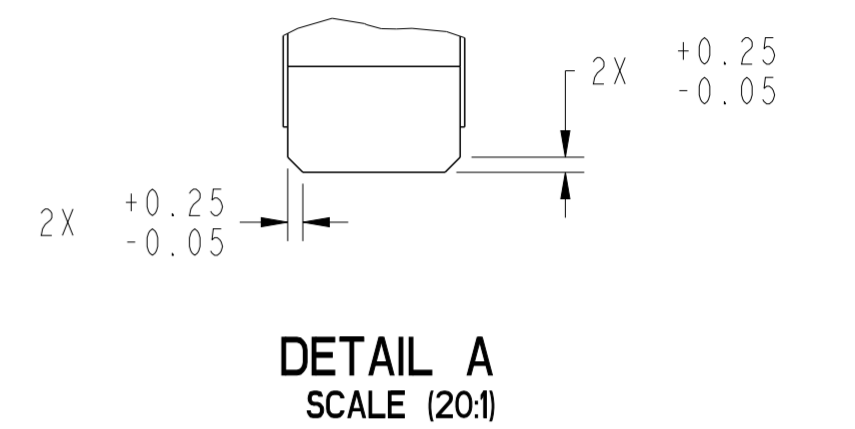
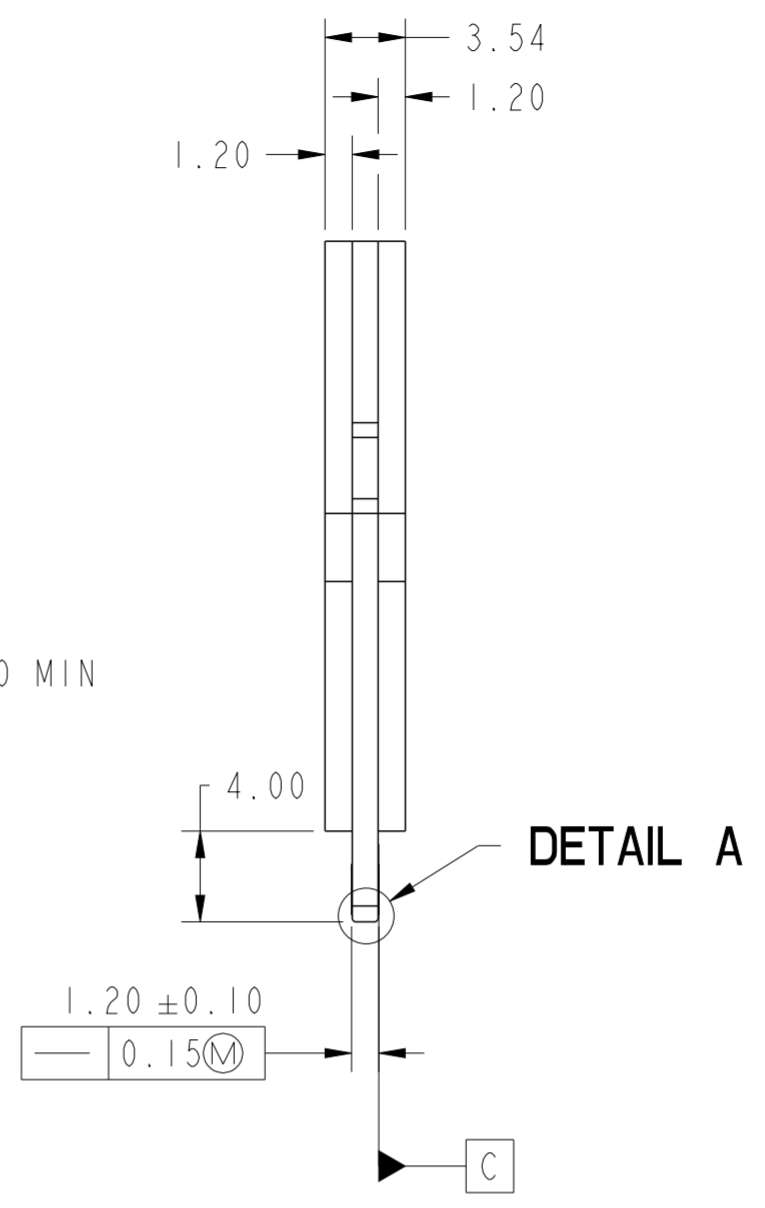
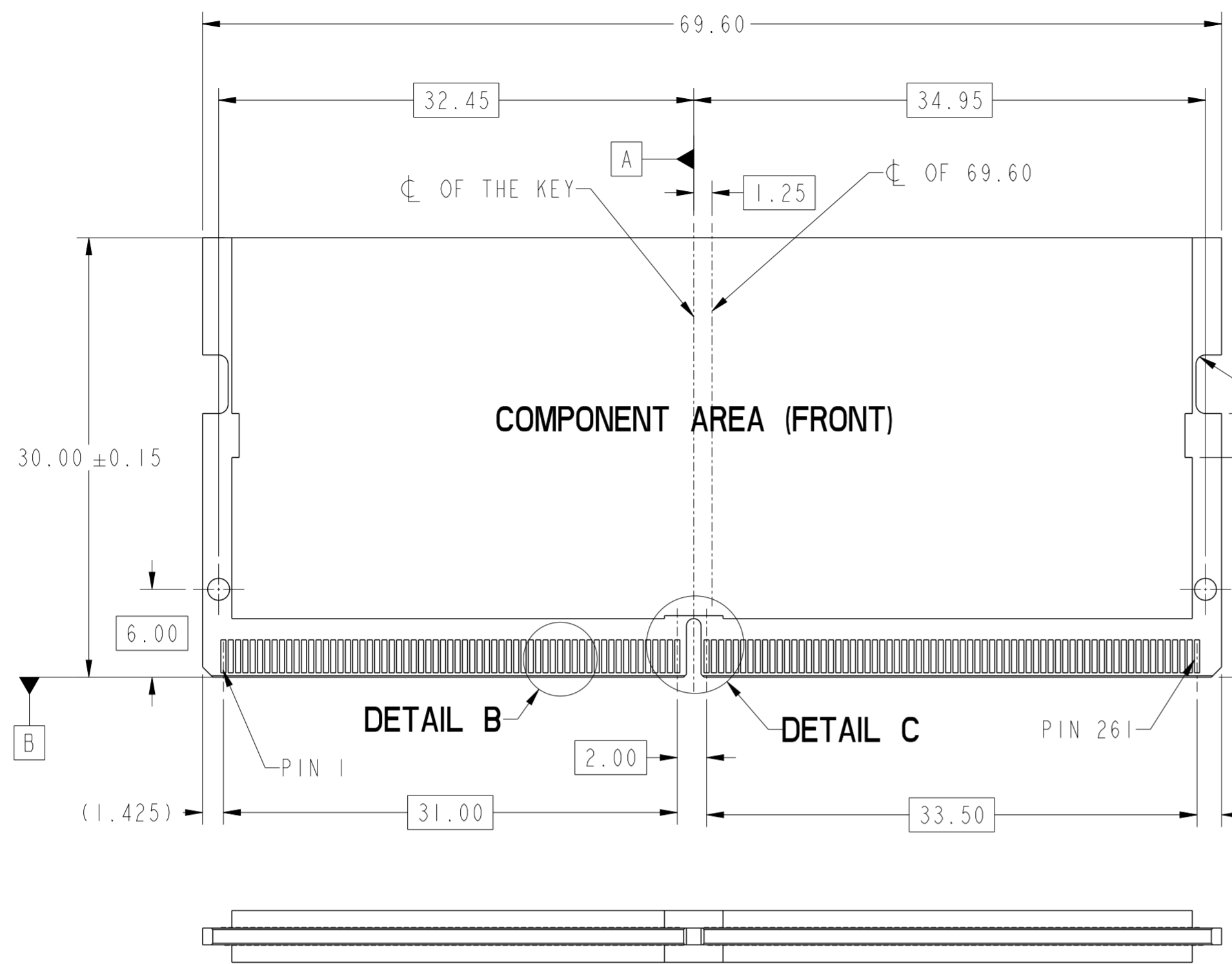


PRELIMINARY

spec ref	dr	Ji-Lu Lu	2021/11/23	projection	MM	size	A2	scale	1:1
tolerance std	eng	-	2022/04/20			ecn no	-	rel level	Preliminary
ISO 406	chr	-	-						
ISO 1101	appr	-	-						
TOLERANCES UNLESS OTHERWISE SPECIFIED		Amphenol FCI		product family	-	title	DDR5 SODIMM V/T 262PIN		
surface	linear	0.X	±0.30	cat. no.	-	Product - Customer Drw	sheet 1 of 4	rev	1
ISO 1302	angular	0°	±2°			dwg no	10160554		

Amphenol FCI

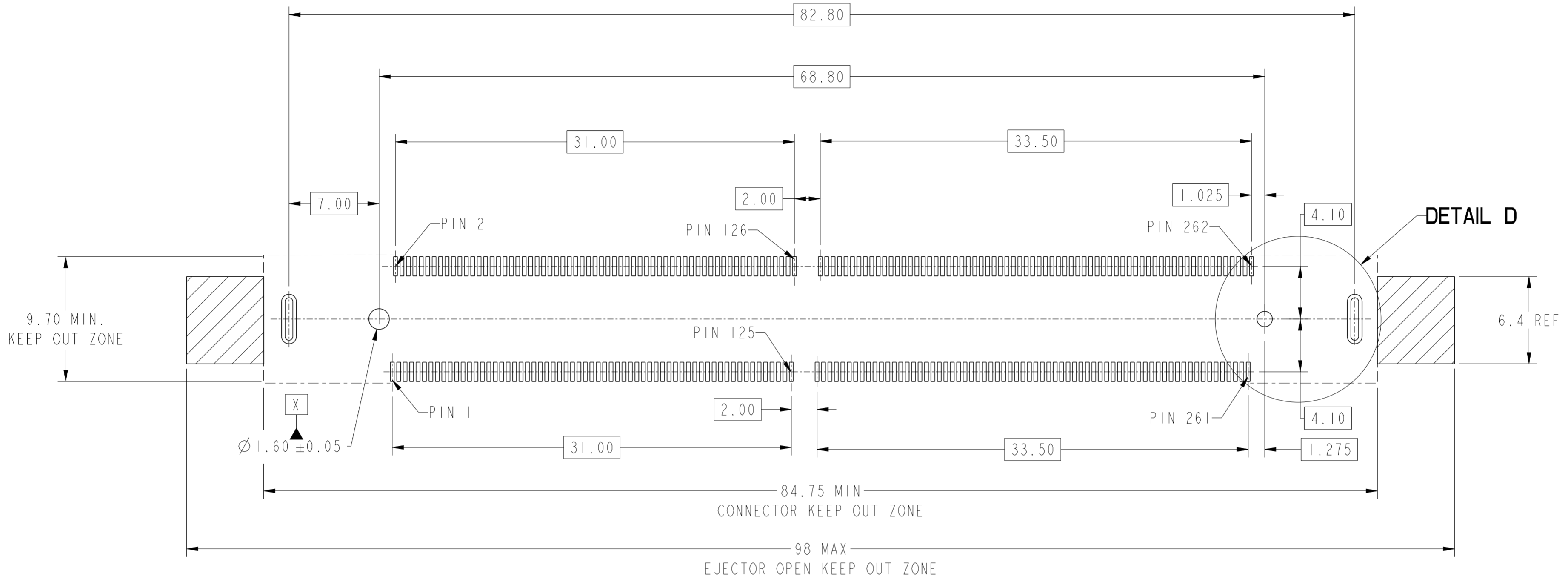
© 2020 Amphenol Corporation



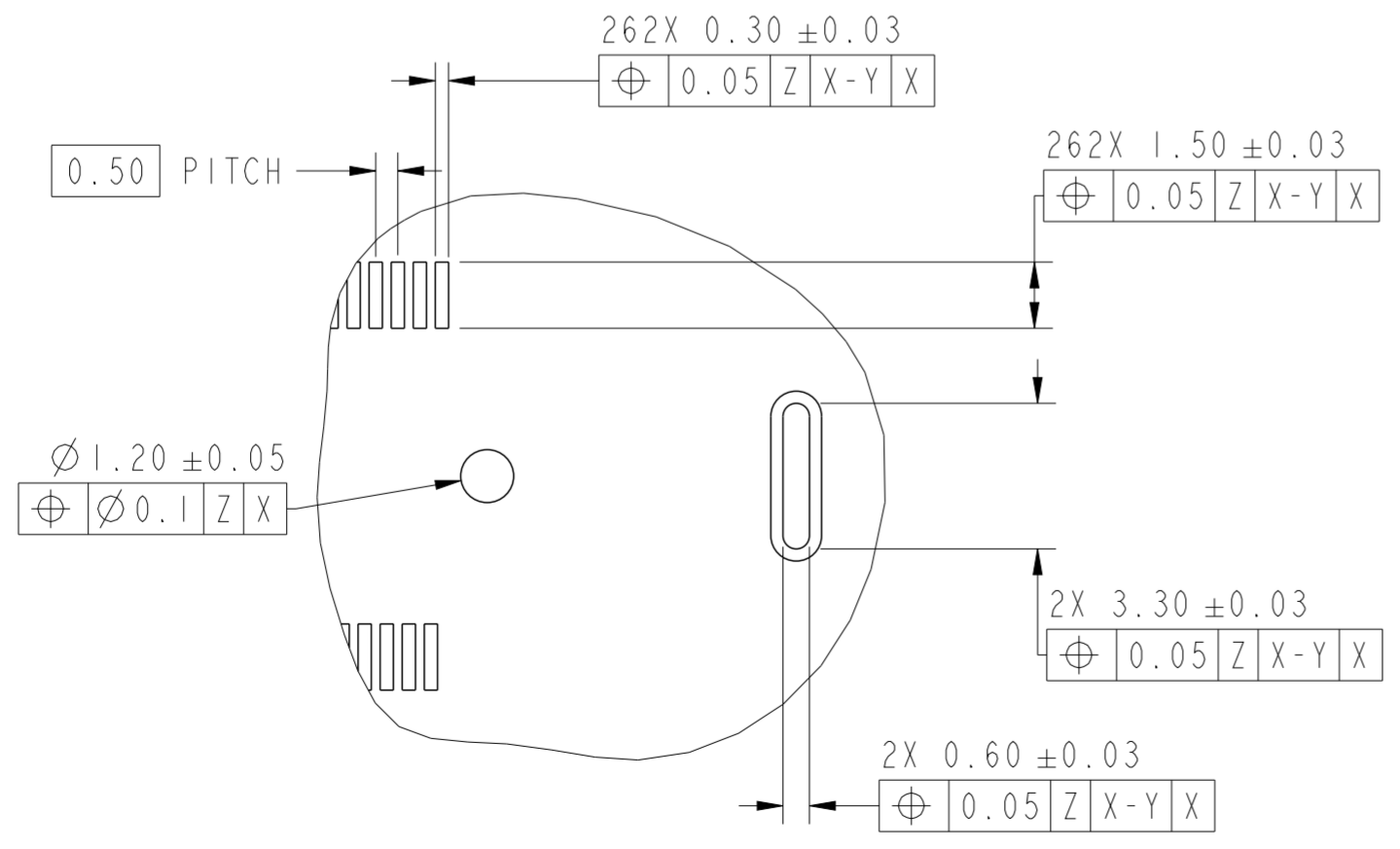
RECOMMEND CARD

spec ref	dr	Ji-Lu	2021/1/23	projection	MM	size	A2	scale	1:1	
tolerance std	eng	-	2022/04/20			ecn no	-	rel level	Preliminary	
ISO 406	chr	-	-							
ISO 1101	appr	-	-	product family	-	-	-	-	-	
surface	linear	0.X	±0.30	Amphenol FCI	title DDR5 SODIMM V/T 262PIN 0.5 PITCH	dwg no 10160554	rev 1	cat. no.	Product - Customer Drw	sheet 2 of 4
		0.XX	±0.20							
		0.XXX	±0.10							
ISO 1302	angular	0°	±2°							

© 2020 Amphenol Corporation



RECOMMEND PCB LAYOUT
THE TOLERANCE UNLESS SPECIFIED IS ±0.05MM



DETAIL D
SCALE (6:1)

spec ref	dr	Ji-Lu Lu	2021/11/23	projection	MM	size	A2	scale	1:1
tolerance std	eng	-	2022/04/20			ecn no	-	rel level	Preliminary
ISO 406	chr	-	-						
ISO 1101	appr	-	-						
surface	linear	0.X	±0.30	Amphenol FCI		product family	-	cat. no.	-
ISO 1302	angular	0.XX	±0.20	title DDR5 SODIMM V/T 262PIN 0.5 PITCH		dwg no 10160554	rev 1	Product - Customer Drw	
		0.XXX	±0.10	sheet 3 of 4					
		0°	±2°	sheet 3 of 4					

A

B

C

D

E

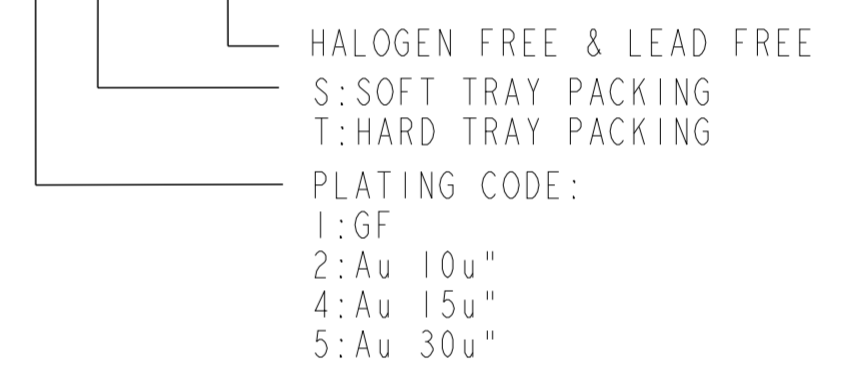
F

NOTES:

1. MATERIAL:
 - 1.1 HOUSING:HIGH TEMPERATURE MATERIAL ,COLOR:BLACK.
 - 1.2 CONTACT:COPPER ALLOY.
 - 1.3 EJECTORS:HIGH TEMPERATURE MATERIAL.
2. FINISH:
 - 2.1 CONTACT: GOLD FLASH PLATING ON SOLDER TAIL.
GOLD PLATING (THICKNESS SEE PART NUMBER DESCRIPTION)
ON CONTACT AREA.NICKEL UNDERPLATED ALL OVER.
3. DATE CODE : SSYYWWD
S: MANUFACTURING SITE
VALLEY GREEN =V
DONGGUAN= DG
MALAYSIA= M
YY:YEAR
WW:WEEK
D: DAY (MONDAY=1)
4. PRODUCT SPECIFICATION:GS-12-1667
5. PACKAGE SPECIFICATION:GS-14-XXXX
6. PRODUCT MARKING,(PART NUMBER&LOT CODE),ON THIS SURFACE
7. LEAD FREE PRODCUT MEETS THE EUROPEAN UNION DRECTIVES&OTHER COUNTRY REGULATIONS AS DESCRIBED IN GS-47-0004
8. THE CONNECTOR WILL WITHSTAND EXPOSURE TO 260°C PEAK TEMPERATURE FOR 10-30 SECONDS IN CONVECTION,INFAR-RED ,OR VAPOR PHASE REFLOW OVEN

PART NUMBER DESCRIPTION:

10160554 -0 0 X X H L F



Amphenol FCI

© 2020 Amphenol Corporation

spec ref		dr	Ji-Lu Lu	2021/1/23	projection	MM	size	A2	scale	1:1
tolerance std		eng	-	2022/04/20		←→	ecn no		-	
ISO 406		chr	-				rel level		Preliminary	
ISO 1101		appr	-				product family		-	
surface	linear	0.X	±0.30	Amphenol FCI	title		DDR5 SODIMM V/T 262PIN		cat. no.	10160554
ISO 1302		0.XX	±0.20		pitch		0.5 PITCH		rev	1
	angular	0°	±2°		Product - Customer Drw		sheet 4 of 4			