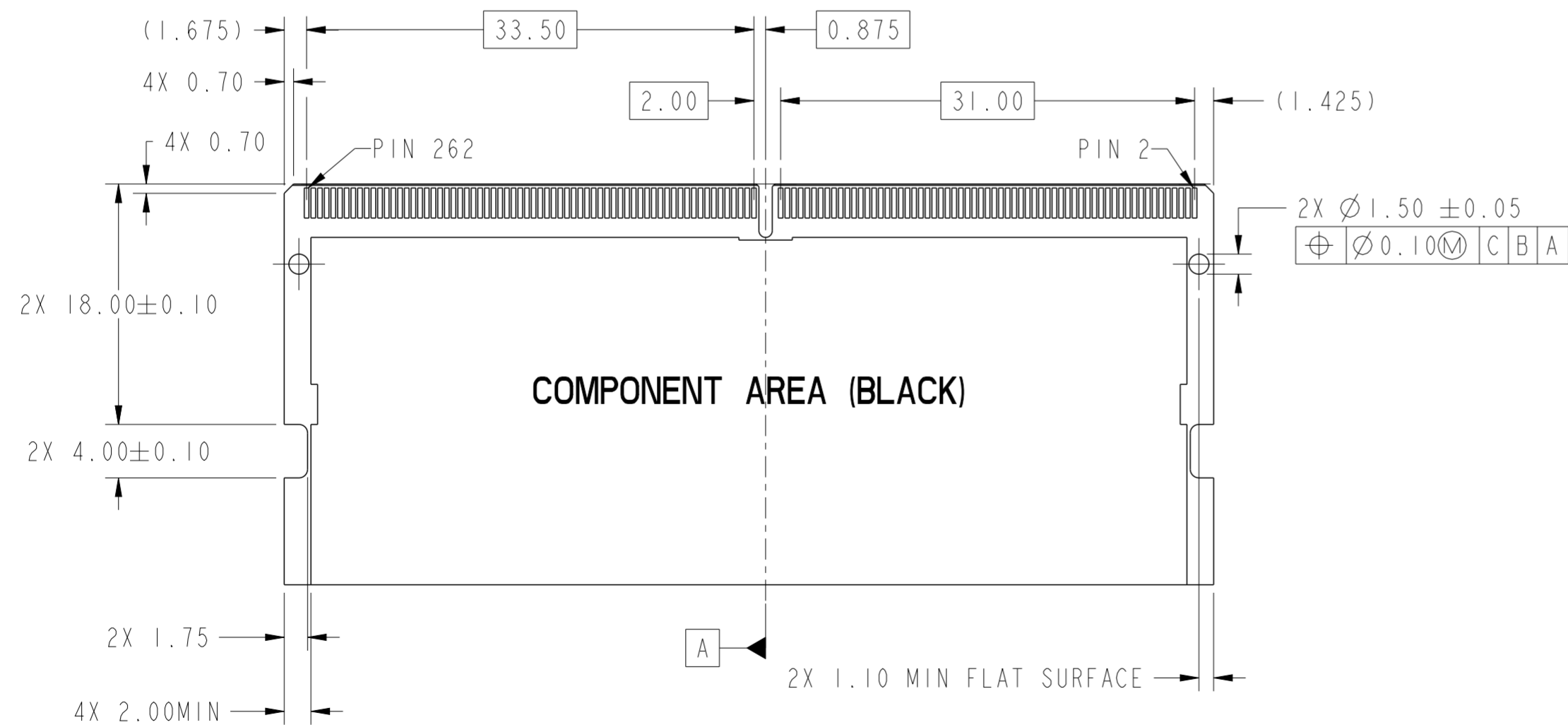
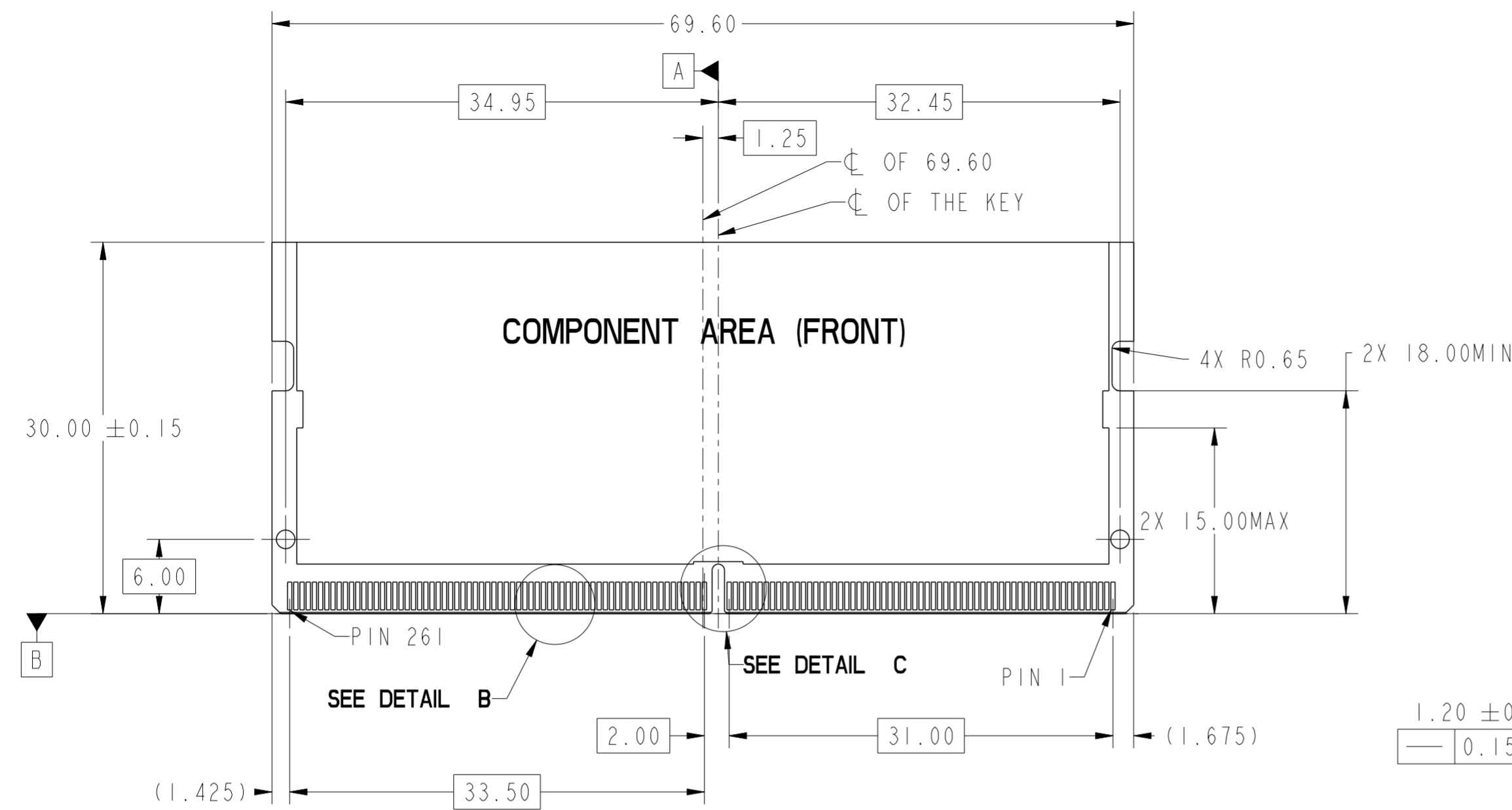


MATING/UNMATING VIEW

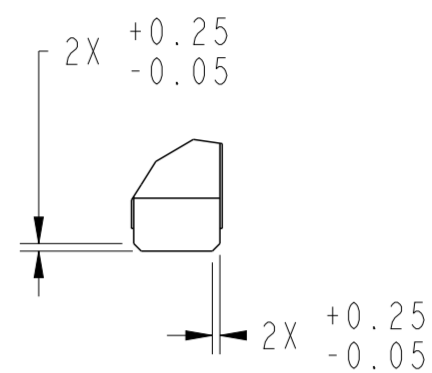
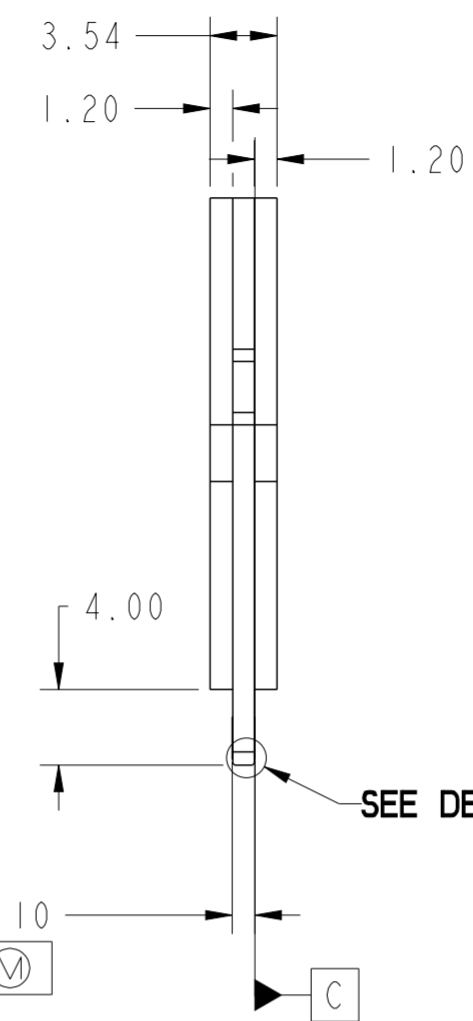
MATING: ① INSERTING (25°) → ② ROTATING → ③ FIXED
 UNMATING: ④ UNFIXED → ⑤ ROTATING → ⑥ WITHDRAWING

PRELIMINARY

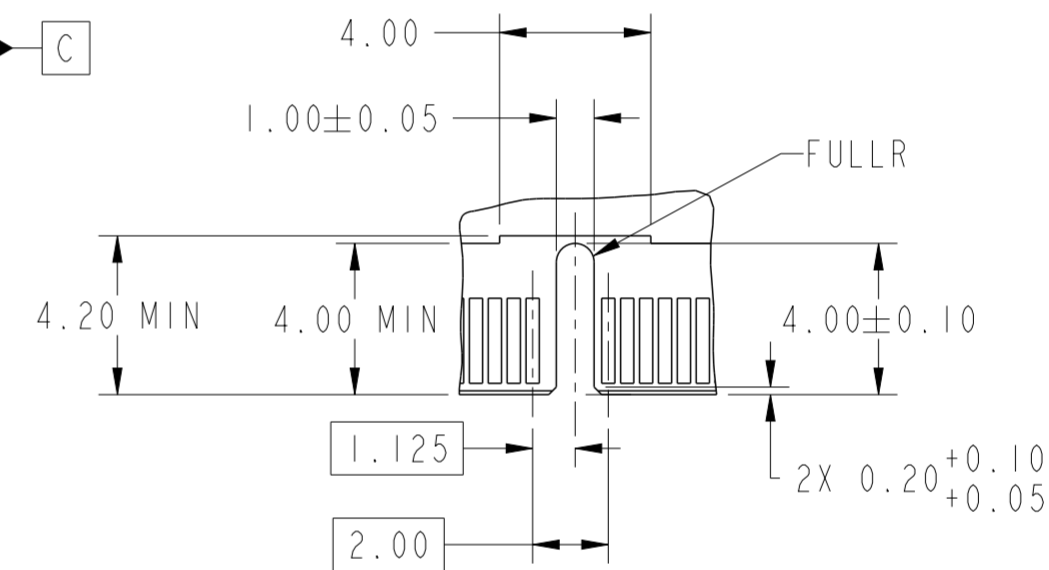
spec ref	dr	Ji-Lu Lu	2021/05/17	projection	MM	size	A2	scale	1:1
tolerance std	eng	-	2021/05/25			ecn no	-	rel level	Preliminary
ISO 406 ISO 1101	chr	-	appr						
surface	linear	0.X	±0.30	product family		-		cat. no.	-
ISO 1302		0.XX	±0.20	Amphenol FCI		title		DDR5 SODIMM R/A 262PIN	dwg no
	angular	0°	±2°	STD CONNECTOR 0.50mm PITCH		10162416		rev	1
Product - Customer Drw						sheet 1 of 4			



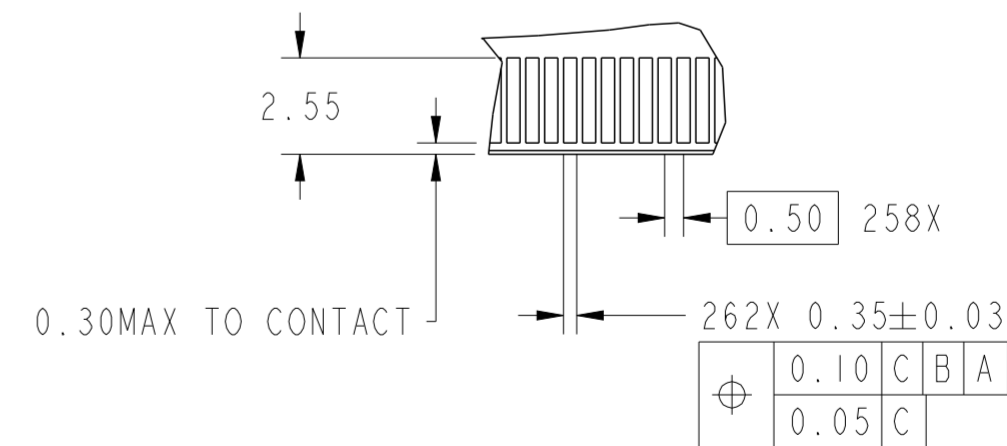
RECOMMEND CARD



DETAIL A
SCALE 10:1



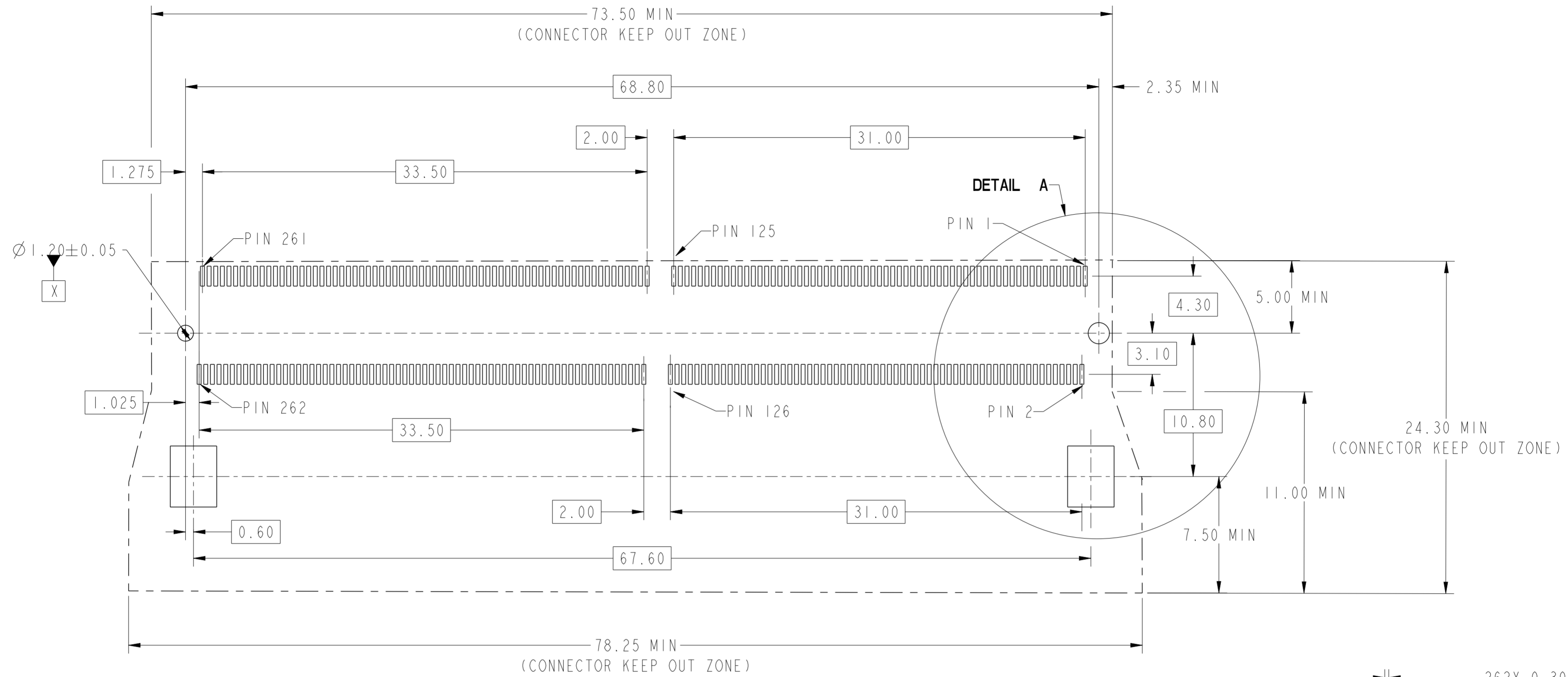
DETAIL C
SCALE 5:1



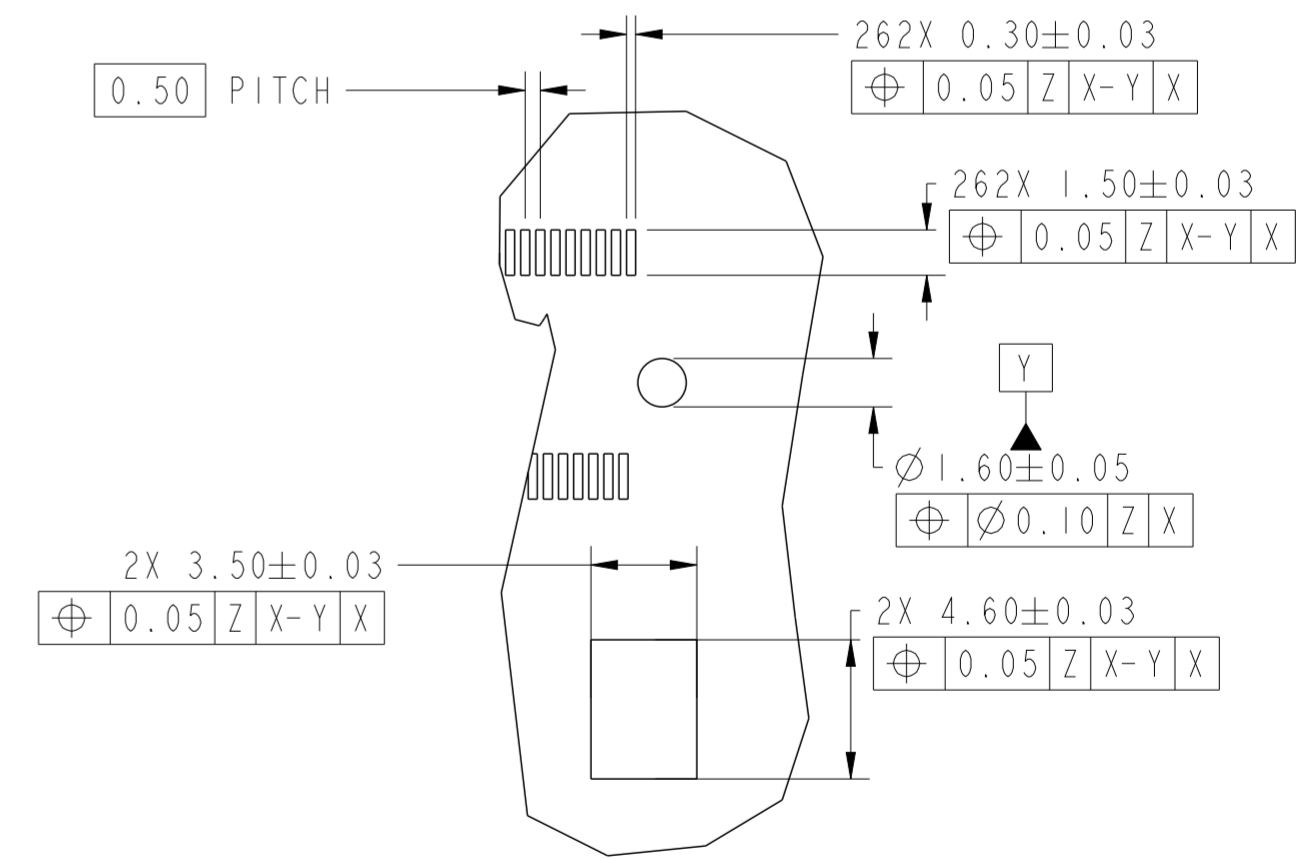
DETAIL B
SCALE 5:1

PRELIMINARY

spec ref	dr	Ji-Lu Lu	2021/05/17	projection	MM	size	A2	scale	1:1	
tolerance std	eng		2021/05/25			ecn no		rel level	Preliminary	
ISO 406	chr									
ISO 1101	appr			product family						
surface	linear	0.X	±0.30	Amphenol FCI	title DDR5 SODIMM R/A 262PIN STD CONNECTOR 0.50mm PITCH	dwg no 10162416	rev 1	Product - Customer Drw		
		0.XX	±0.20					cat. no.		sheet 2 of 4
ISO 1302	angular	0°	±2°							



RECOMMEND PCB LAYOUT
 THE TOLERANCE UNLESS SPECIFIED IS $\pm 0.05\text{MM}$



DETAIL A
 SCALE 4:1

PRELIMINARY

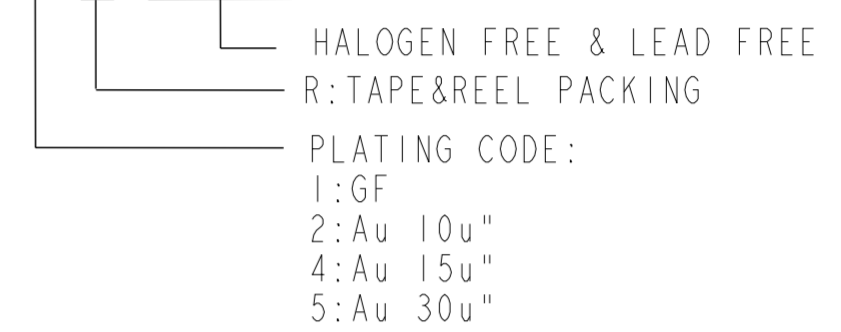
spec ref	dr	Ji-Lu Lu	2021/05/17	projection	MM	size	A2	scale	1:1
tolerance std	eng	-	2021/05/25			ecn no	-	rel level	Preliminary
ISO 406	chr	-							
ISO 1101	appr	-							
TOLERANCES UNLESS OTHERWISE SPECIFIED		Amphenol FCI		product family	-	-			
surface	linear	0.X	± 0.30	DDR5 SODIMM R/A 262PIN		cat. no.	-	Product - Customer Drw	sheet 3 of 4
		0.XX	± 0.20	STD CONNECTOR 0.50mm PITCH		rev	1		
		0.XXX	± 0.10			cat. no.	-		
	angular	0°	$\pm 2^\circ$			cat. no.	-		

© 2020 Amphenol Corporation
 Amphenol FCI

- NOTES:
1. MATERIAL:
 - 1.1 HOUSING:HIGH TEMPERATURE MATERIAL ,COLOR:BLACK.
 - 1.2 CONTACT:COPPER ALLOY.
 - 1.3 SOLDER TAIL AND HOLD DOWN:STAINLESS STEEL.
 2. FINISH:
 - 2.1 CONTACT: GOLD FLASH PLATING ON SOLDER TAIL.
GOLD PLATING (THICKNESS SEE PART NUMBER DESCRIPTION)
ON CONTACT AREA.
 - 2.2 SOLDER TAIL:
MATTE TIN PLATING ALL OVER,NICKEL UNDERPLATED ALL OVER.
 3. DATE CODE : SSYYWWD
S: MANUFACTURING SITE
VALLEY GREEN =V
DONGGUAN= DG
MALAYSIA= M
YY:YEAR
WW:WEEK
D: DAY (MONDAY=1)
 4. PRODUCT SPECIFICATION:GS-12-XXXX
 5. PACKAGE SPECIFICATION:GS-14-XXXX
 6. PRODUCT MARKING, (PART NUMBER&LOT CODE), ON THIS SURFACE
 7. LEAD FREE PRODCUT MEETS THE EUROPEAN UNION DRECTIVES&OTHER
COUNTRY REGULATIONS AS DESCRIBED IN GS-47-0004
 8. THE CONNECTOR WILL WITHSTAND EXPOSURE TO 260°C PEAK TMPERATURE
FOR 10 SECONDS IN CONVECTION, INFAR-RED ,OR VAPOR PHASE
REFLOW OVEN

PART NUMBER DESCRIPTION:

10162416-0 0 X R H L F



Amphenol
FCi

© 2020 Amphenol Corporation

PRELIMINARY

spec ref		dr	Ji-Lu Lu	2021/05/17	projection	MM	size	A2	scale	1:1					
tolerance std		eng	-	2021/05/25		←→	ecn no		-						
ISO 406		chr	-				rel level		Preliminary						
ISO 1101		appr	-				product family		-						
surface		linear	0.X	±0.30	Amphenol FCi	title	DDR5 SODIMM R/A 262PIN		cat. no.	-	Product - Customer Drw	sheet 4 of 4			
ISO 1302			0.XX	±0.20			divg no	10162416					rev	1	
		angular	0°	±2°											