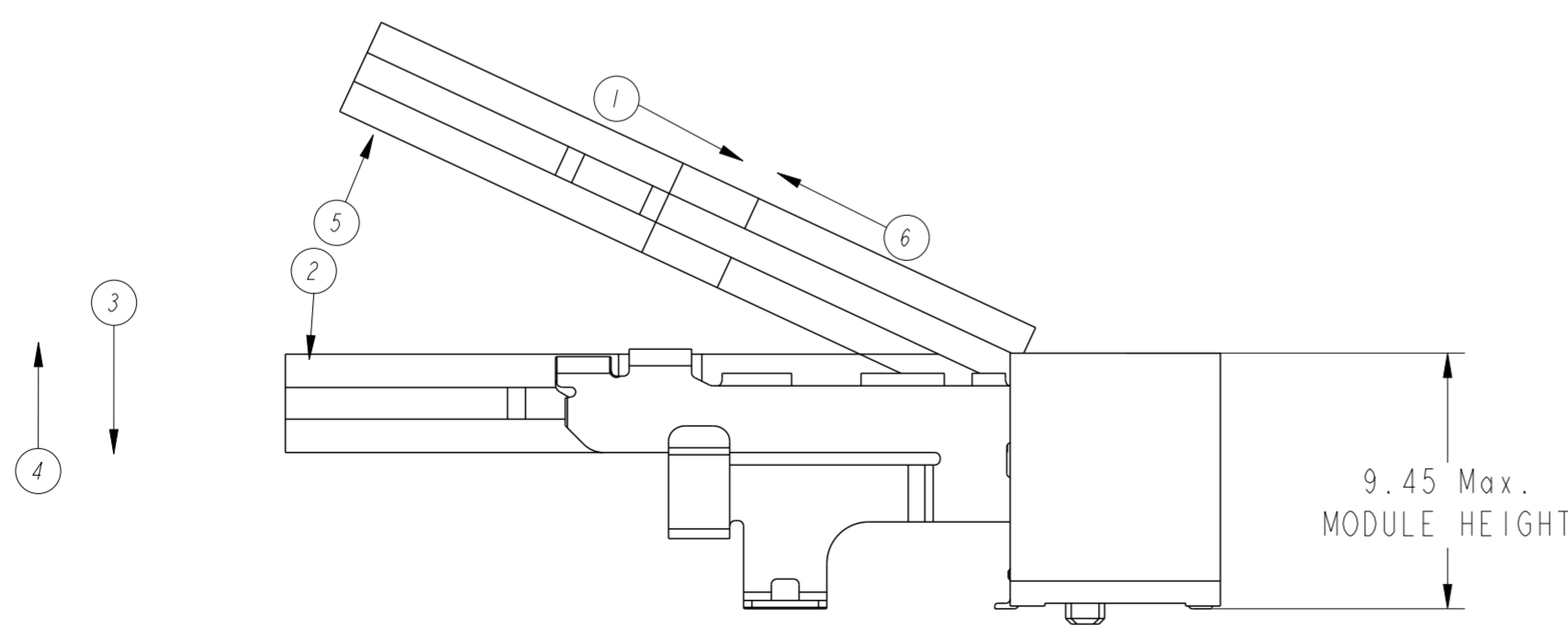
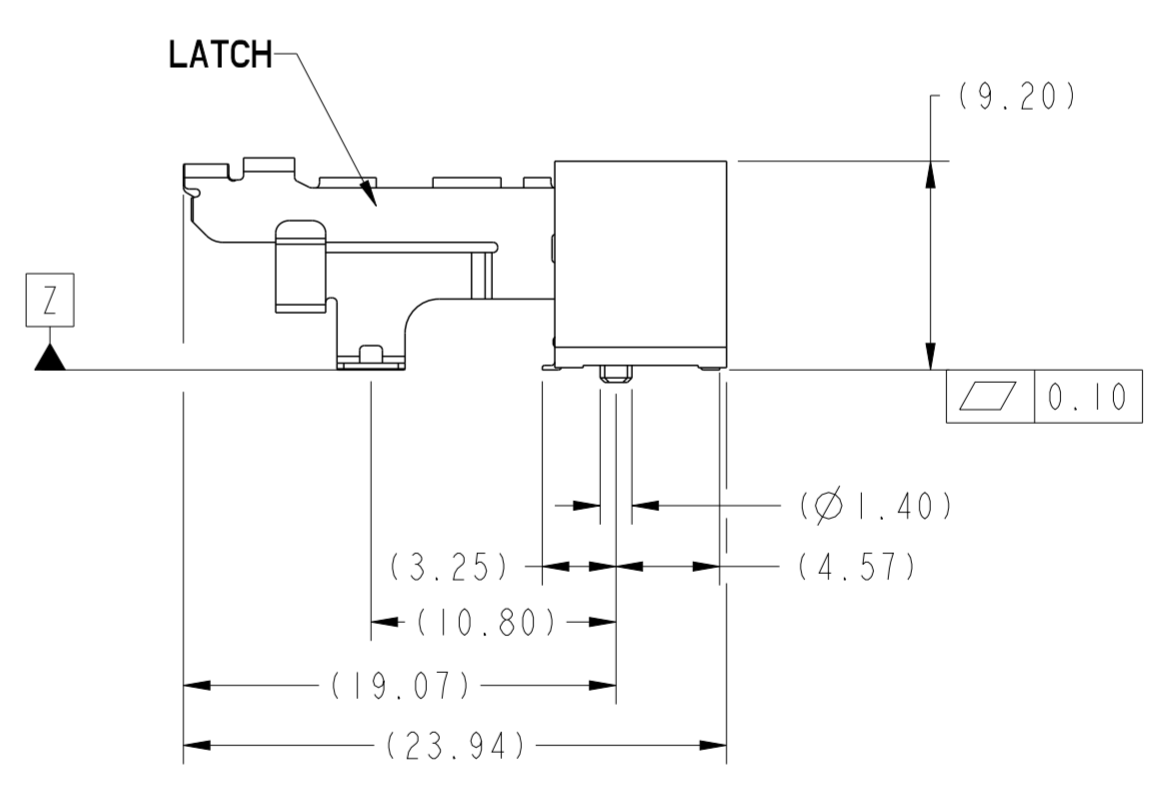
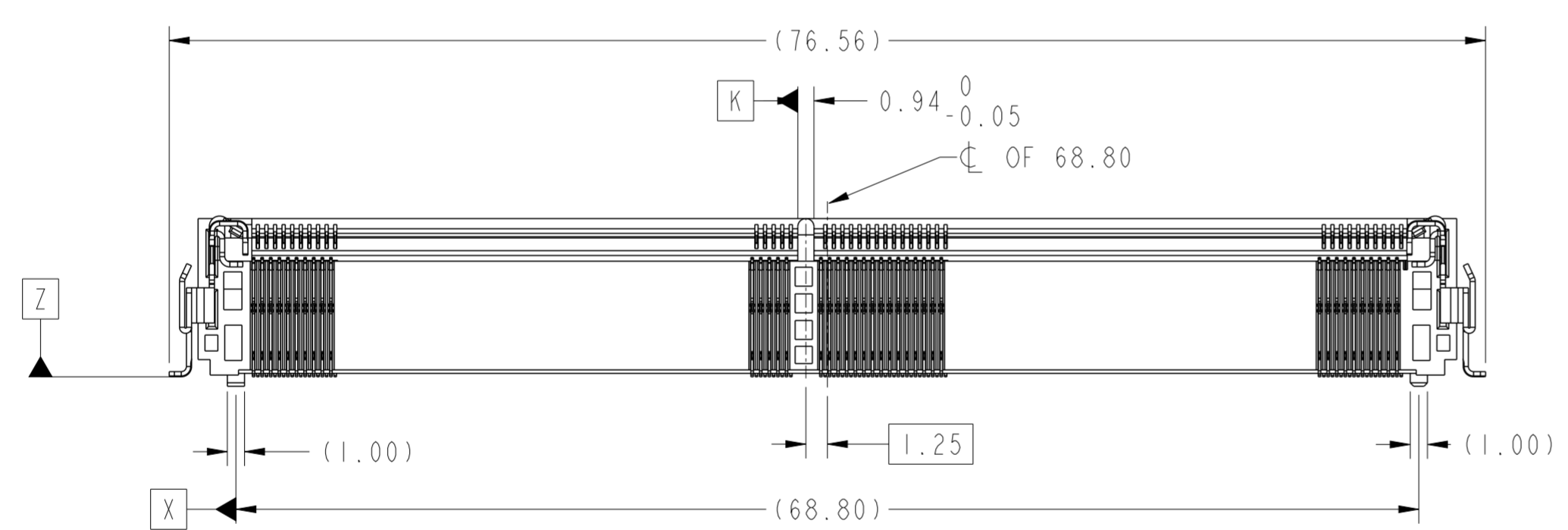
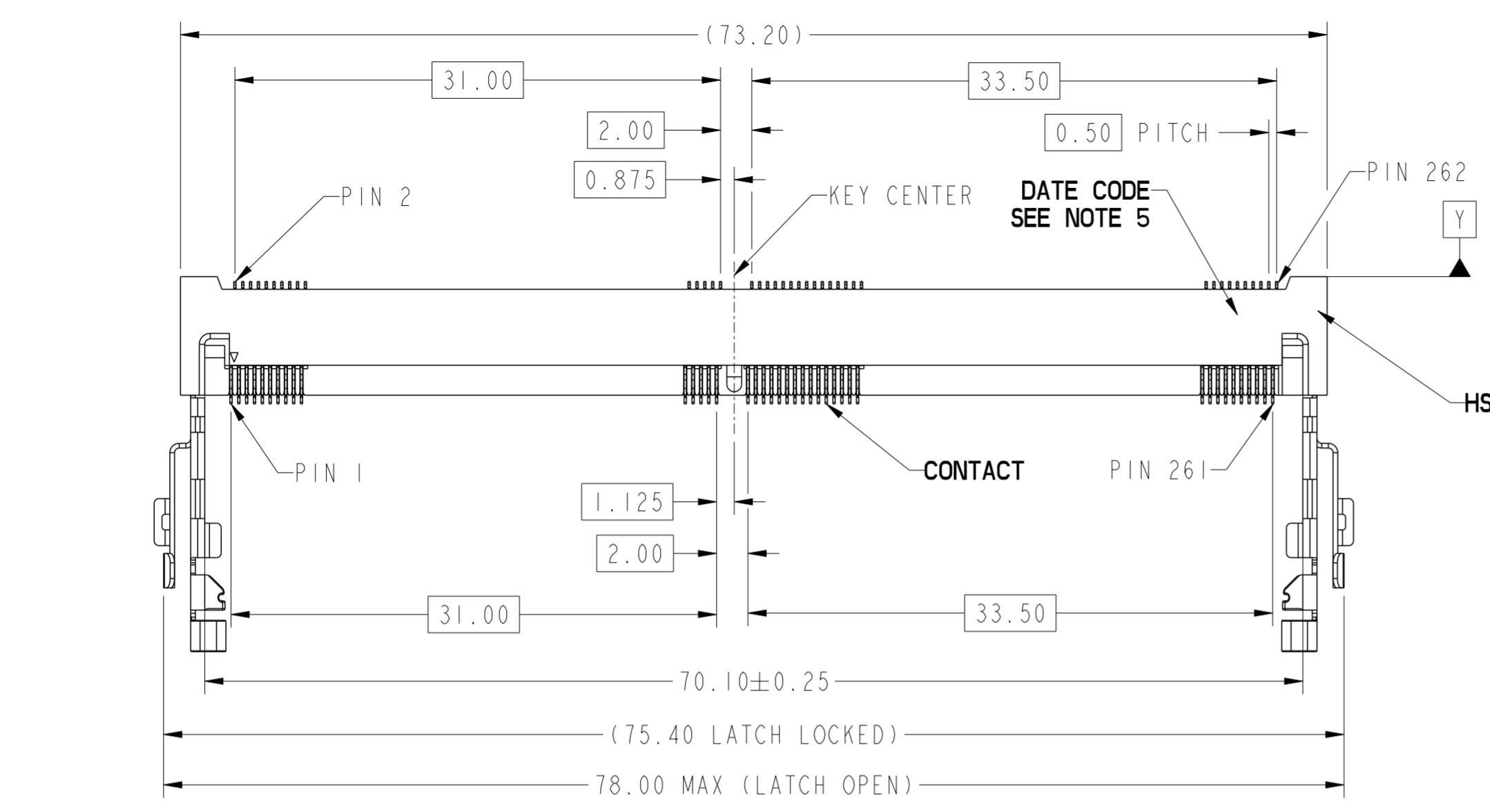
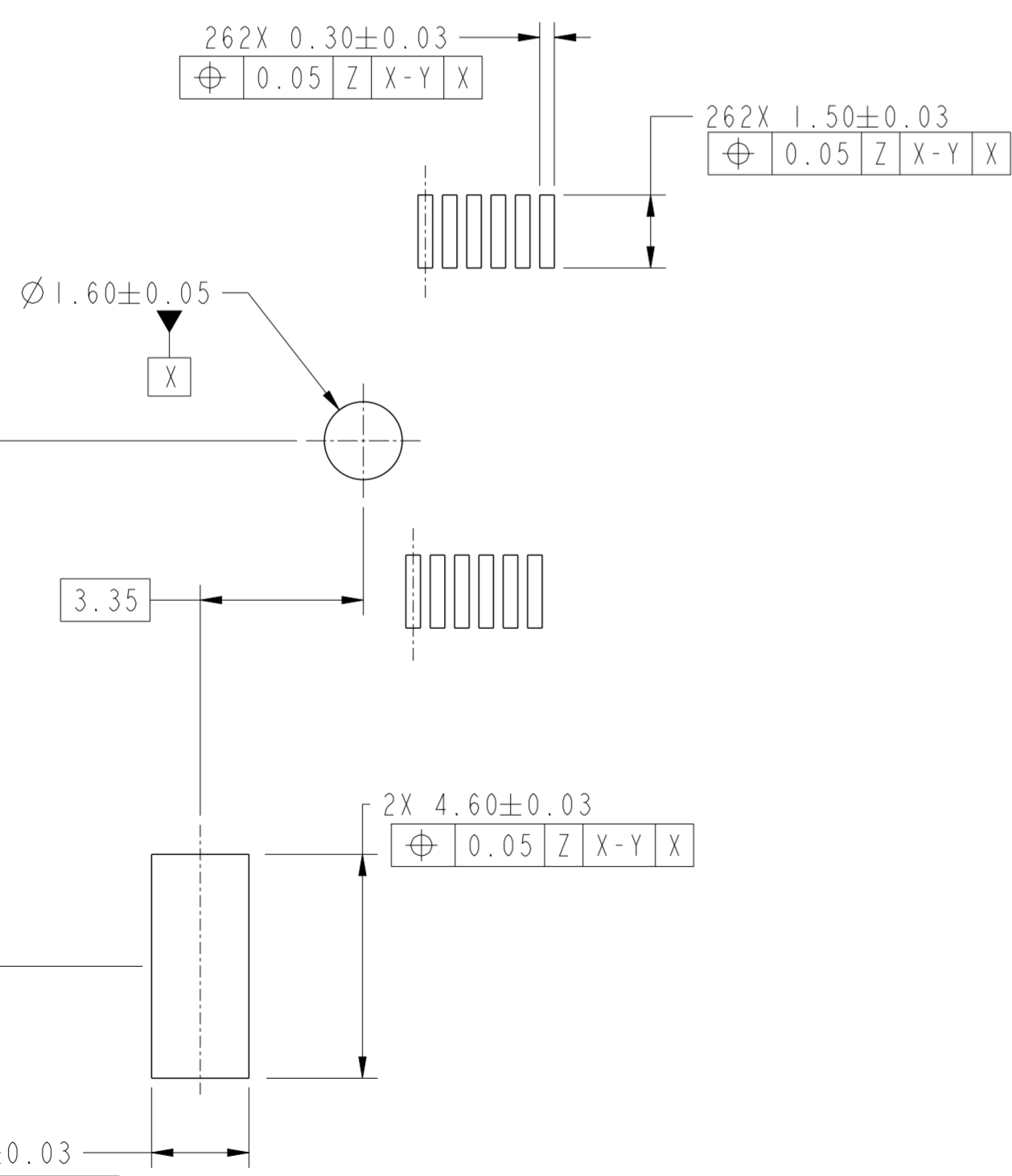
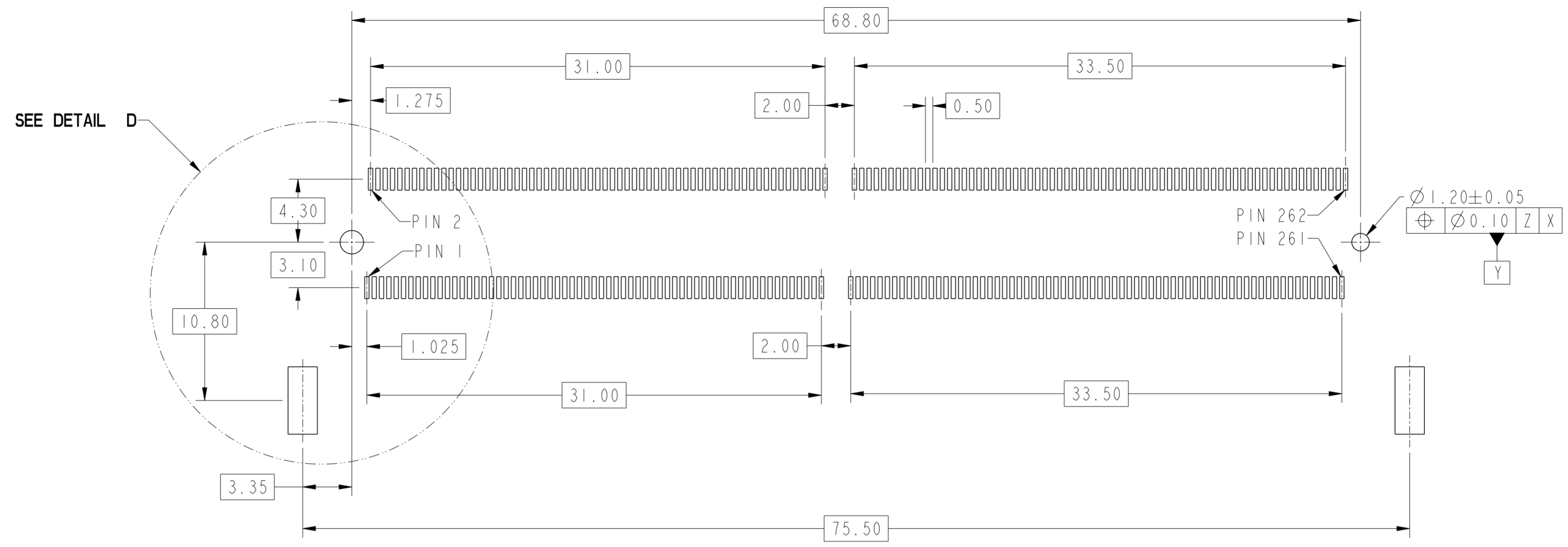


© 2020 Amphenol Corporation
Amphenol FCI



spec ref				dr	He-Jie Zhang	2021/12/22	projection	MM	size	A2	scale	1:1
tolerance std				eng		2022/09/19		rel level	Preliminary			
ASME_Y14.5				chr					rel level Preliminary			
TOLERANCES UNLESS OTHERWISE SPECIFIED				appr			product family		rel level Preliminary			
surface	linear	0.X	±0.30	Amphenol FCI	title			cat. no.	Product - Customer Drw	sheet 1 of 4	rev	1
		0.XX	±0.20		DDR5 SODIMM R/A 262PIN							
		0.XXX	±0.10		9.2H_RVS_ASS							
ASME_Y14.5	angular	0°	±2°	cat. no.			Product - Customer Drw		sheet 1 of 4			



DETAIL D
SCALE 8:1

Amphenol
FCi
© 2020 Amphenol Corporation

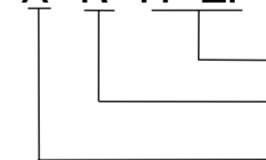
spec ref	dr	He-Jie Zhang	2021/12/22	projection	MM	size	A2	scale	1:1	
tolerance std	eng	-	2022/09/19			ecn no	-	rel level	Preliminary	
ASME_Y14.5	chr	-	product family							-
surface	appr	-	-							-
ASME_Y14.5	linear	0.X	±0.30	Amphenol FCi	title	DDR5 SODIMM R/A 262PIN	dwg no	10162991	rev	1
		0.XX	±0.20			9.2H_RVS_ASS				
	angular	0°	±2°		cat. no.	-	Product - Customer Drw	sheet 3 of 4		

NOTES:

1. MATERIAL:
 - 1.1 HOUSING:HIGH TEMPERATURE MATERIAL ,COLOR:BLACK.
 - 1.2 CONTACT:COPPER ALLOY.
 - 1.3 LATCH:STAINLESS STEEL.
2. FINISH:
 - 2.1 CONTACT: GOLD FLASH PLATING ON SOLDERTAIL.
GOLD PLATING (THICKNESS SEE PART NUMBER DESCRIPTION)
ON CONTACT AREA.
 - 2.2 LATCH: NICKEL PLATING ALL OVER
3. PRODUCT SPECIFICATION:GS-12-XXXX
4. PACKAGE SPECIFICATION:GS-14-XXXX
5. PRODUCT MARKING,(PART NUMBER&LOT CODE),ON THIS SURFACE
6. LEAD FREE PRODCUT MEETS THE EUROPEAN UNION DRECTIVES&OTHER
COUNTRY REGULATIONS AS DESCRIBED IN GS-47-0004
7. THE CONNECTOR WILL WITHSTAND EXPOSURE TO 260°C PEAK TEMPERATURE
FOR 10-30 SECONDS IN CONVECTION,INFAR-RED ,OR VAPOR PHASE
REFLOW OVEN

PART NUMBER DESCRIPTION:

10162991-0 0 X R H LF



 HALOGEN FREE& LEAD FREE
 R:TAPE&REEL PACKING
 PLATING CODE:
 1:GF
 2:Au 10u"
 4:Au 15u"
 5:Au 30u"

spec ref		dr	He-Jie Zhang	2021/12/22	projection	MM	size	A2	scale	1:1
tolerance std		eng	-	2022/09/19		←→	ecn no		-	
ASME_Y14.5		chr	-	-			rel level		Preliminary	
TOLERANCES UNLESS OTHERWISE SPECIFIED		appr	-	-	product family		rel level		Preliminary	
surface	linear	0.X	±0.30	Amphenol FCi	title	DDR5 SODIMM R/A 262PIN	cat. no.	9.2H_RVS_ASS	rev	1
		0.XX	±0.20							
		0.XXX	±0.10							
ASME_Y14.5	angular	0°	±2°	Product - Customer Drw		sheet 4 of 4				