

NOTES:

1. MARKED WITH THE PART NUMBER, CAGE CODE AND DATE CODE.

PART NUMBER EXAMPLE: D369 - MB 9 9 - N P 4

BASIC PART NUMBER
 SHELL STYLE (MB = METALLIZED PANEL MOUNT RECEPTACLE 90°, 1.60mm PANEL)
 SHELL SIZE
 CONTACT QUANTITY (3=3 x #22, 6=6 x #22, 9=9 x #22)

CONTACT CONFIGURATION (4= 90° GOLD PLATED PCB TAIL) (5= 90° GOLD PLATED, TIN DIPPED PCB TAIL)
 CONTACT TYPE (P=PIN, S=SKT)
 SHELL KEYING

PRELIMINARY DRAWING

FOR REVIEW PURPOSES. CONSULT ENGINEERING BEFORE USE.

2. PERFORMANCE:

TEMPERATURE RANGE	-55°C TO +175°C
DIELECTRIC WITHSTAND VOLTAGE (AT SEA LEVEL)	1500VRMS <2mA LEAKAGE
DURABILITY	500 MATING CYCLES MIN.
INSULATION RESISTANCE	≥5000 MΩ INITIAL
IP RATING	IP67
SEALING	RTCA DO160 - CATEGORY A4 (15,000ft)
HUMIDITY	RTCA DO160 - CATEGORY A

3. MATERIALS:

COMPONENT	MATERIAL (FINISH: CLEAN IN ALL CASES)	FINISH
SEALS	SILICONE / FLUOROSILICONE BLEND RUBBER	N/A
INSERT PARTS/PANEL CLIP	THERMOPLASTIC	N/A
SHELL BODY	THERMOPLASTIC	ELECTOLESS NICKEL PLATED
PANEL GASKET	FLUOROSILICONE - ALUMINIUM FILLER	N/A
CONTACTS	COPPER ALLOY. SEE NOTE 1 FOR FINISH	

NICKEL PLATED FINISH MAY VARY IN COSMETIC APPEARANCE. PLATING MAY BE DULL IN APPEARANCE WITH A ROUGH SURFACE, OR SHINY IN APPEARANCE WITH A SMOOTH SURFACE. THIS IN NO WAY AFFECTS THE FORM, FIT OR FUNCTION OF THE PRODUCT, OR THE ENVIRONMENTAL PERFORMANCE OF THE PLATED FINISH. IT SHOULD BE CONSIDERED A VISUAL VARIATION ONLY.

4. THESE CONNECTORS ARE ROHS COMPLIANT

5. MAXIMUM WEIGHTS:

3 WAY - 6.9g (PIN INSERT), 6.9g (SOCKET INSERT).
 6 WAY - 7.7g (PIN INSERT), 7.7g (SOCKET INSERT).
 9 WAY - 8.5g (PIN INSERT), 8.5g (SOCKET INSERT).

6. SHELL KEYING:

SHELL KEYING (ALL SIZES)	
ORIENTATION	COLOUR
N	BLACK
A	DARK RED
B	DARK BLUE
C	DARK GREEN
D	YELLOW

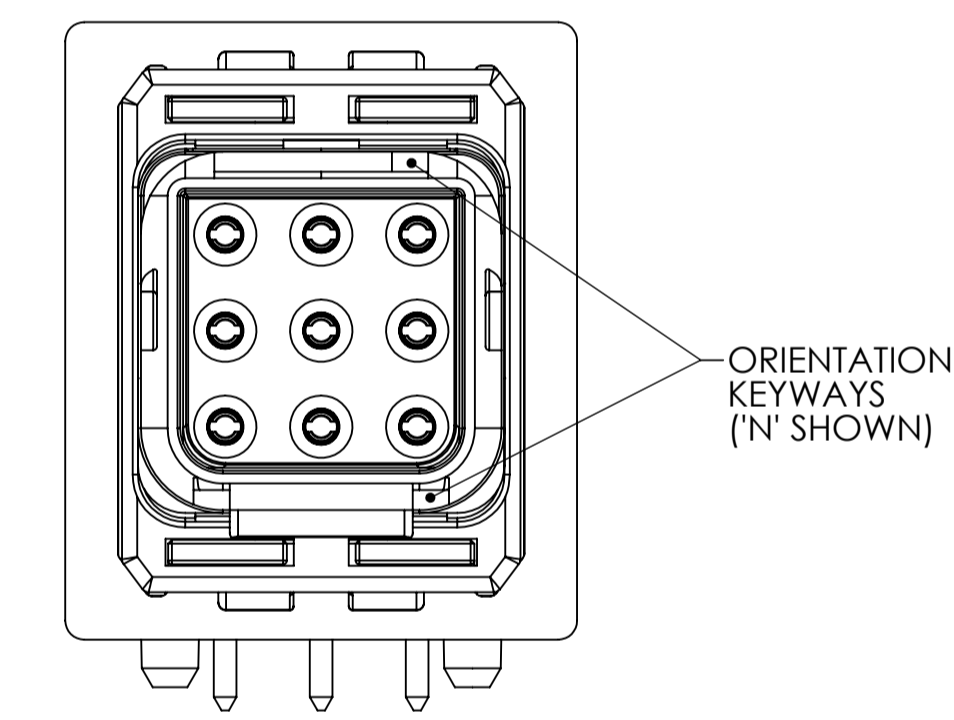
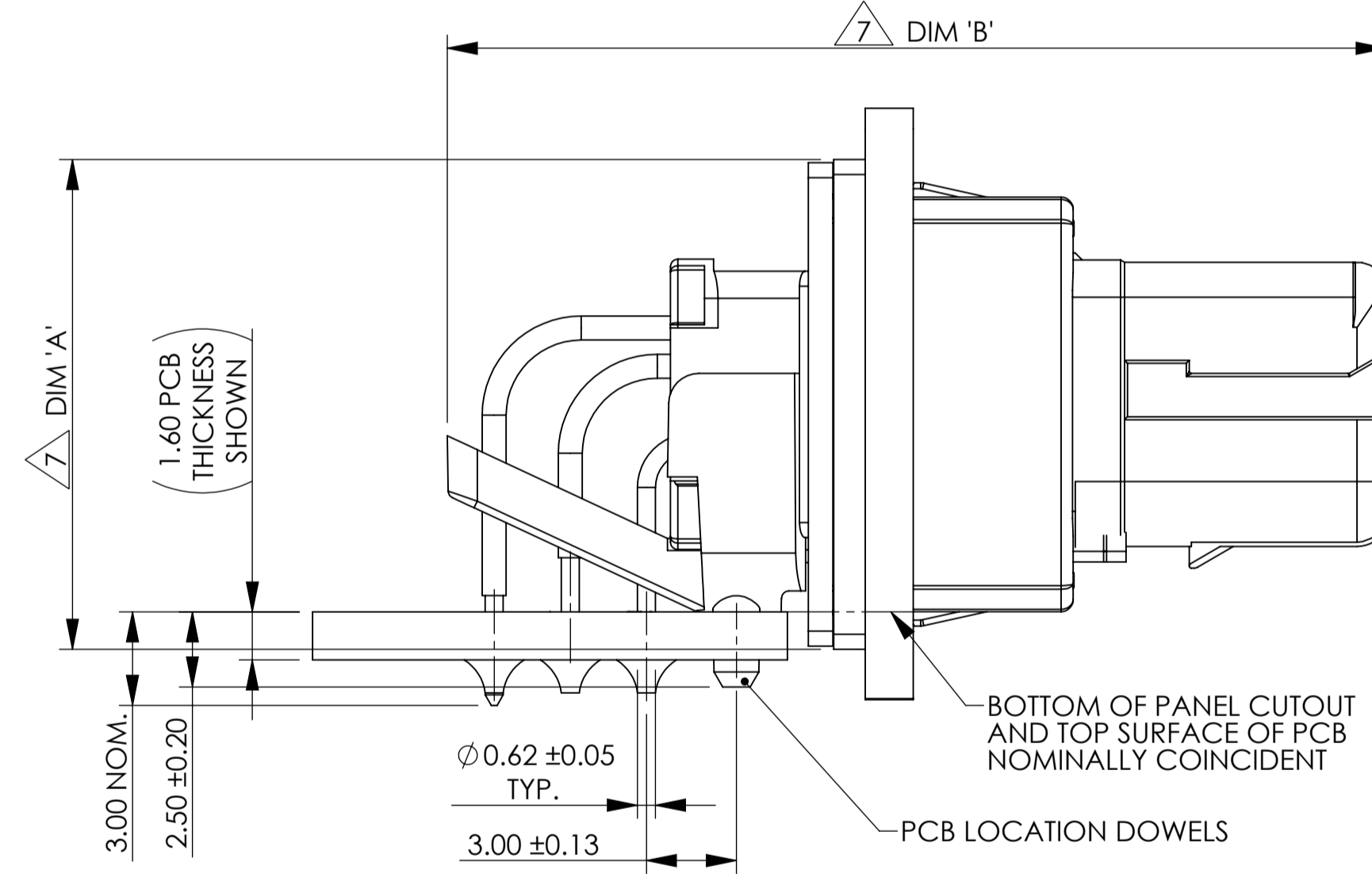
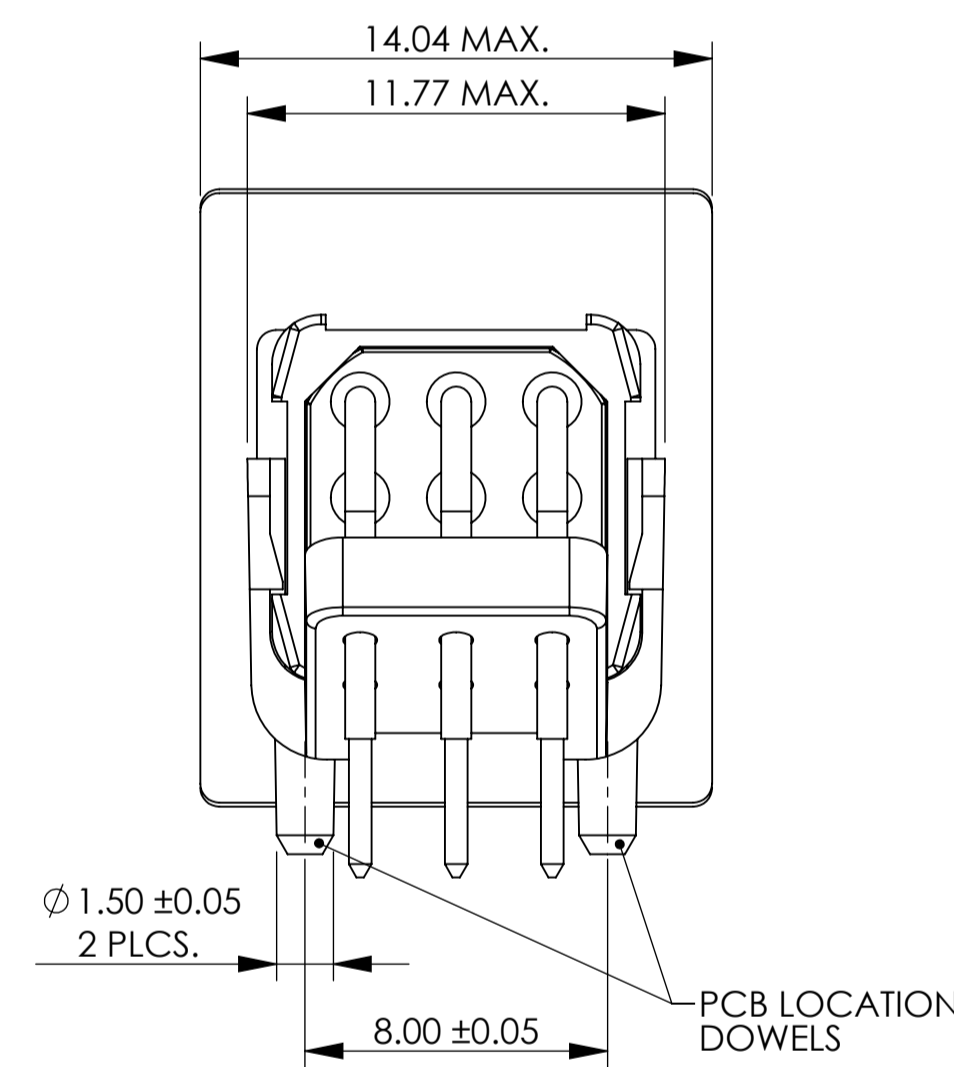
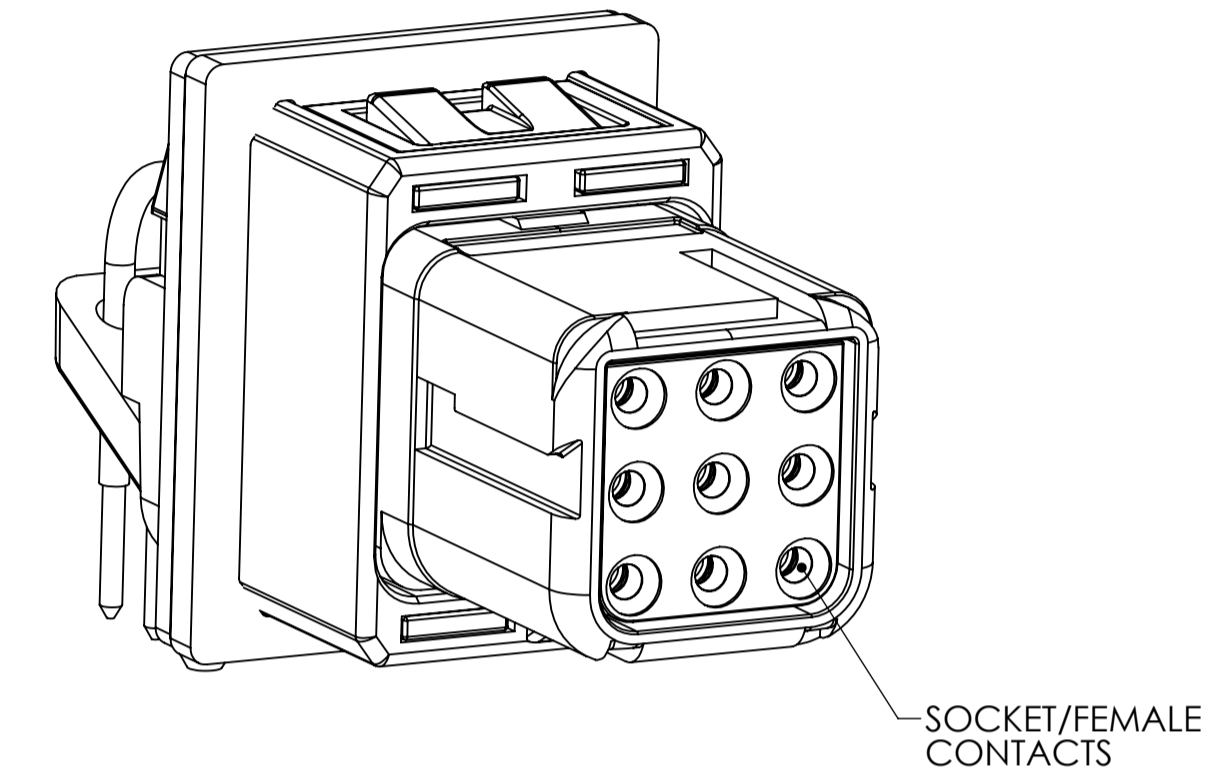
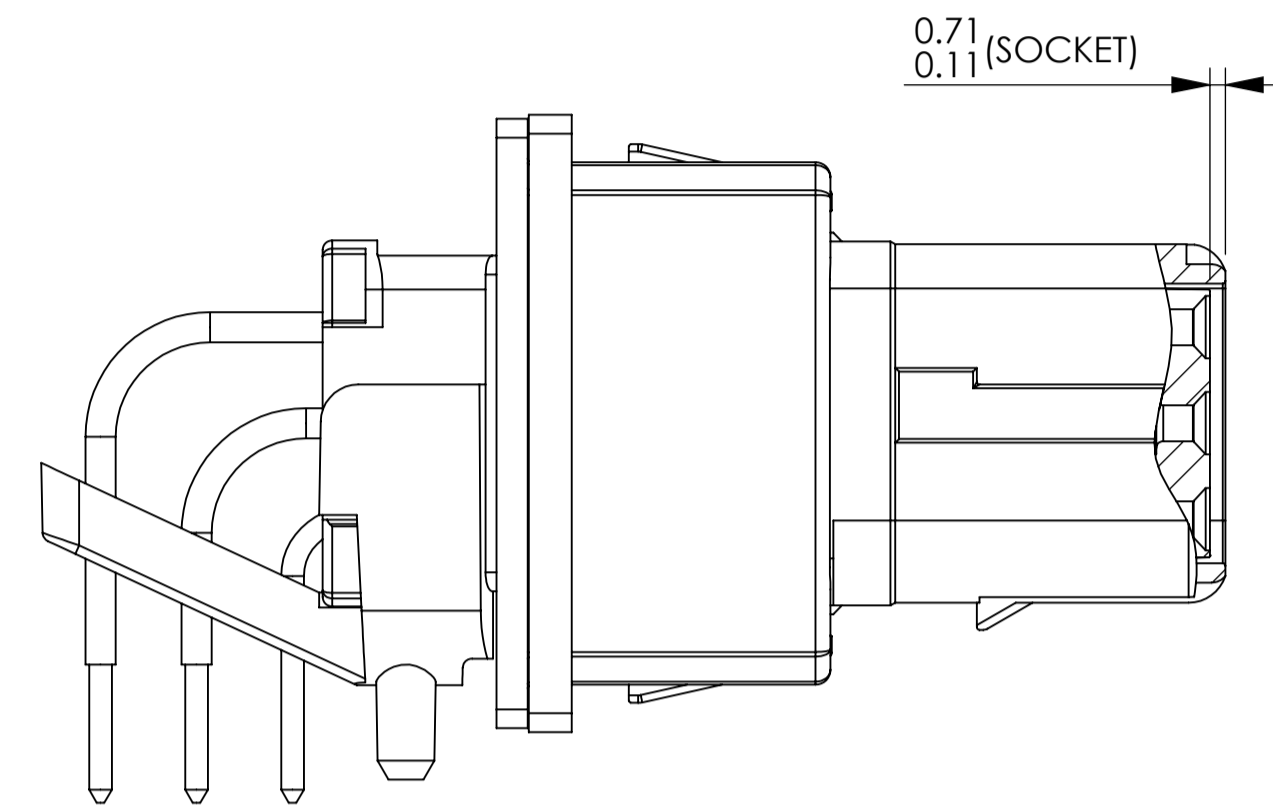
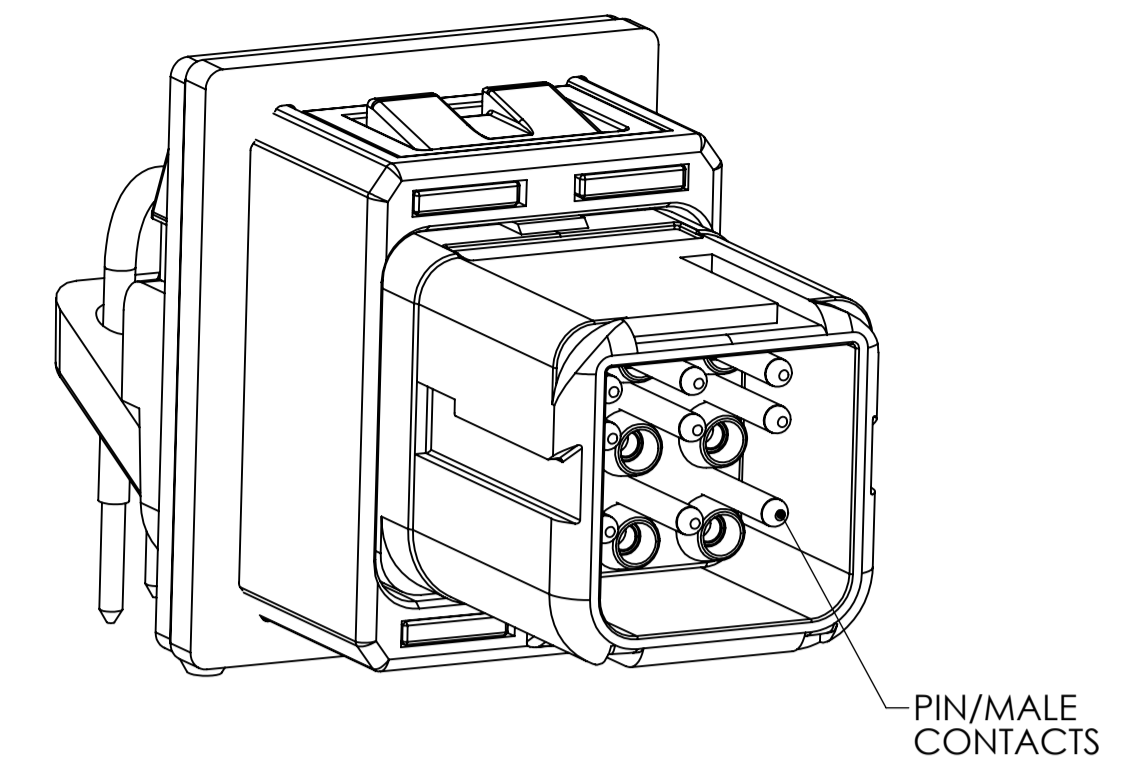
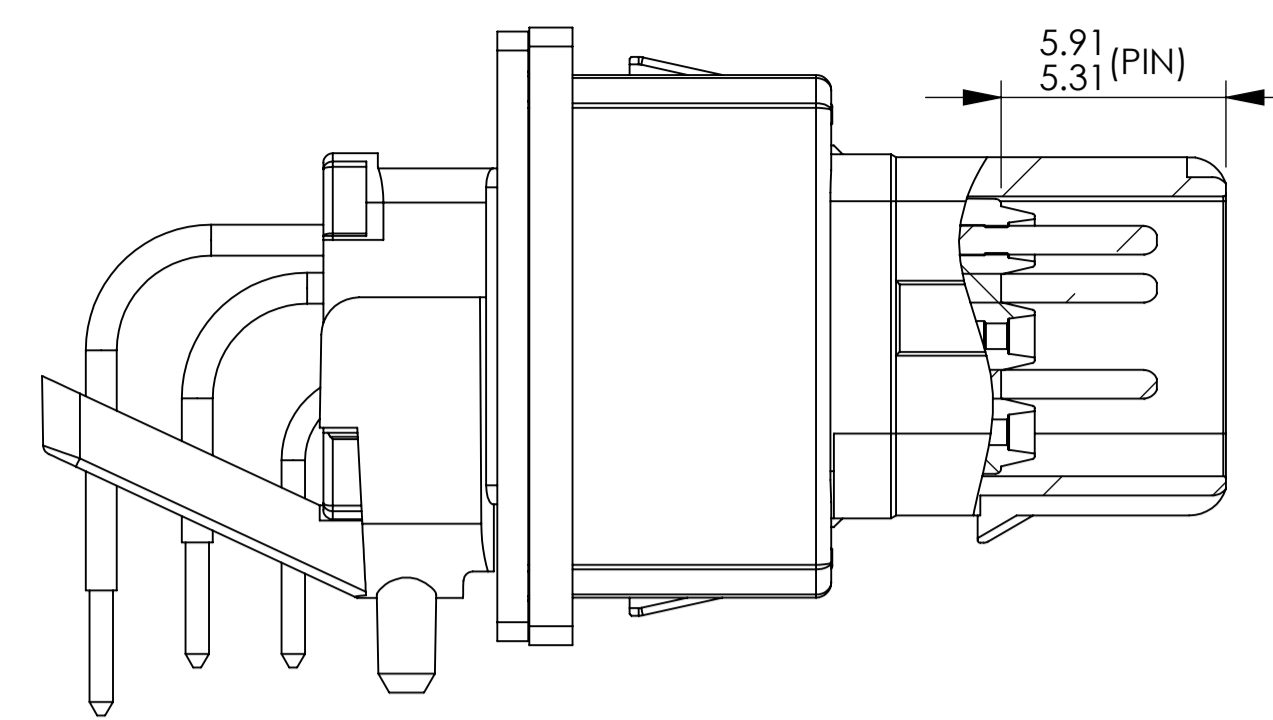
7. DIMENSIONS:

SHELL SIZE	DIM 'A' MAX.	DIM 'B' MAX.
3	9.23	26.8
6	11.77	29.4
9	14.31	32.0

8. 9 WAY CONNECTOR SHOWN IN ALL VIEWS ON SHEET 1 FOR ILLUSTRATION PURPOSES.

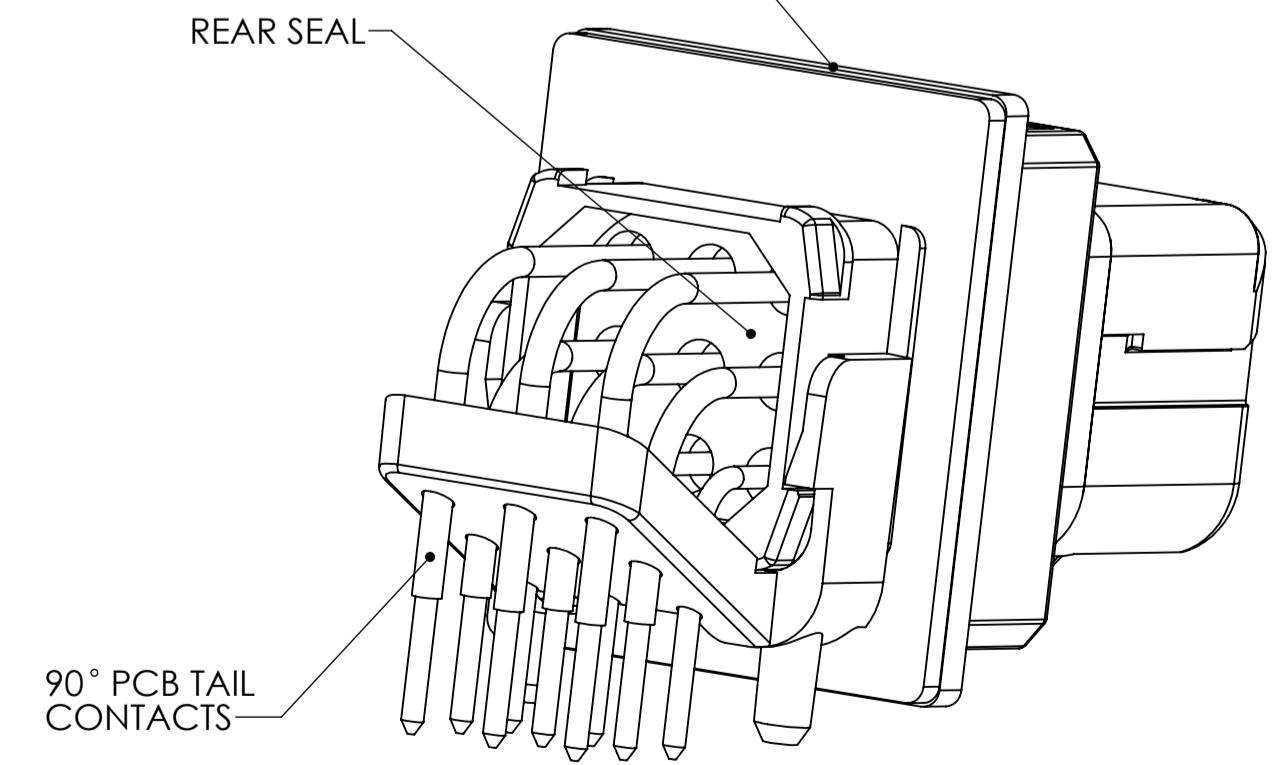
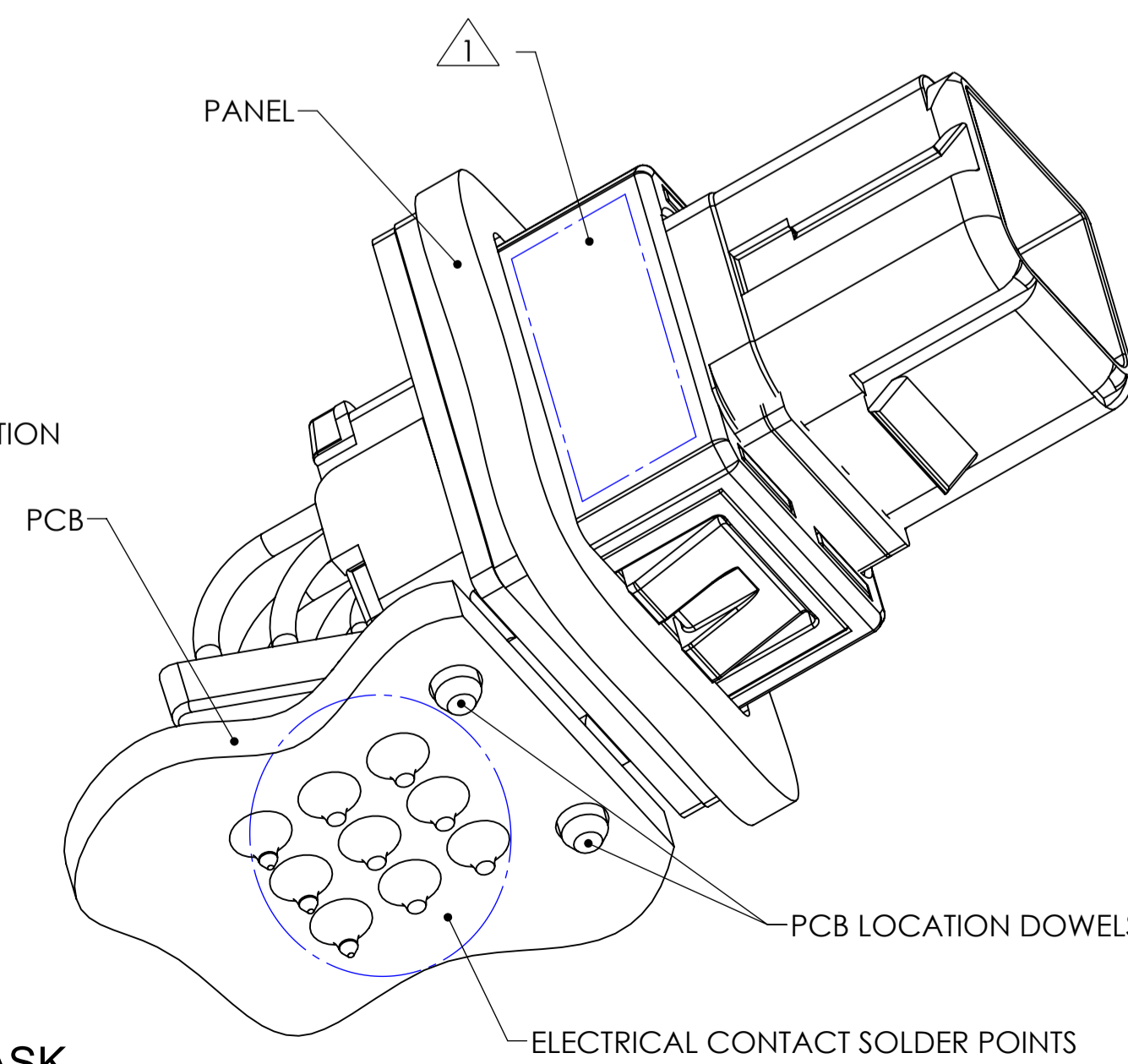
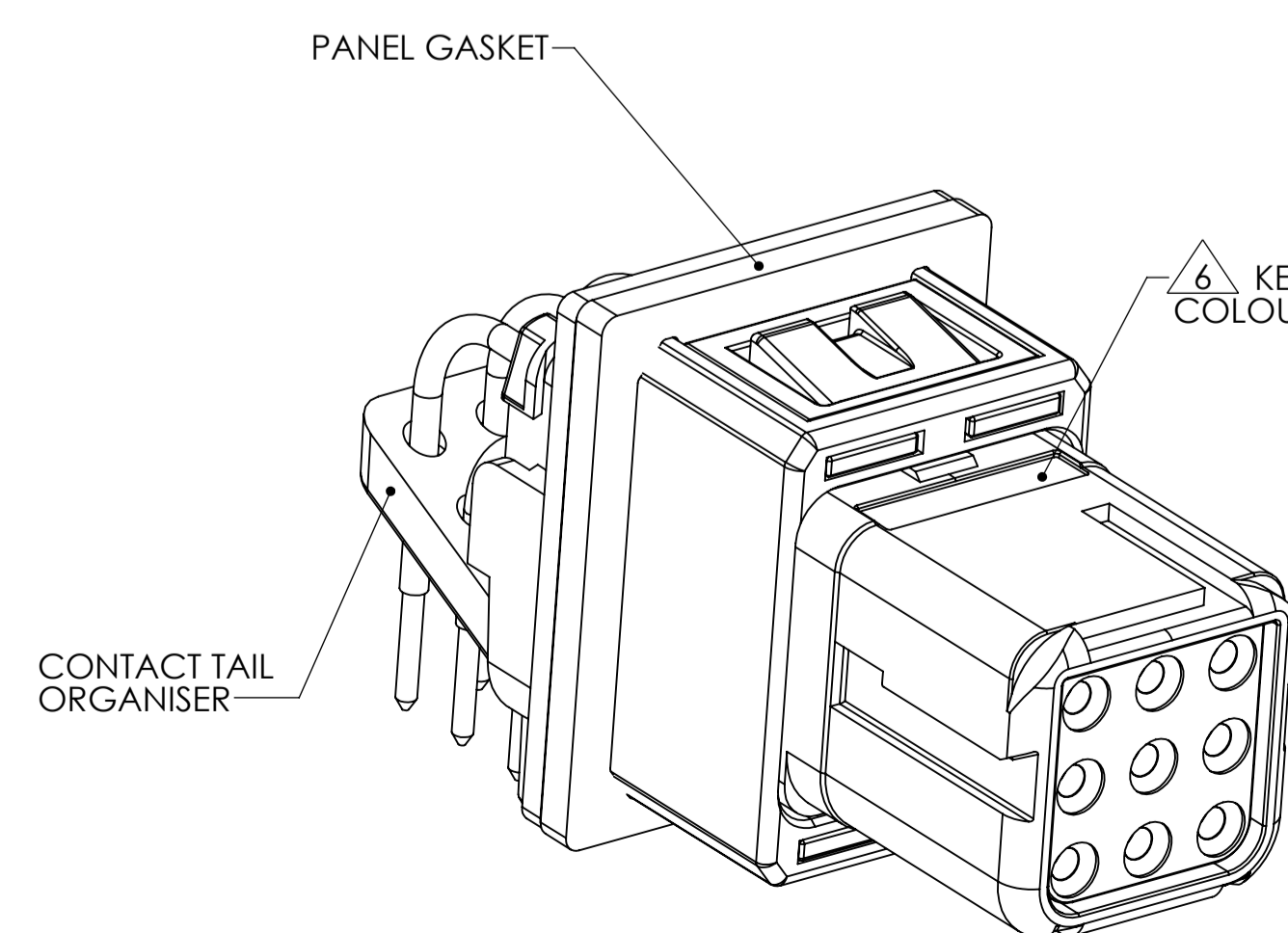
9. RECOMMENDED PANEL THICKNESS LISTED IN TABLE BELOW FOR REFERENCE ONLY. REFER TO INSTRUCTION SHEET 408-32194 FOR PANEL CUTOUT DIMENSIONS.

SHELL SIZE	GASKET CONFIGURATION	NUMBER OF MARKS	RECOMMENDED PANEL THICKNESS	GASKET PART NUMBER
3	A	2	1.27	NOT TOOLED
	B	3	1.60	612154-3-B
	C	4	2.03	NOT TOOLED
6	A	2	1.27	612154-6-A
	B	3	1.60	NOT TOOLED
	C	4	2.03	612154-6-C
9	A	2	1.27	NOT TOOLED
	B	3	1.60	612154-9-B
	C	4	2.03	NOT TOOLED



9. RECOMMENDED PANEL THICKNESS LISTED IN TABLE BELOW FOR REFERENCE ONLY. REFER TO INSTRUCTION SHEET 408-32194 FOR PANEL CUTOUT DIMENSIONS.

SHELL SIZE	GASKET CONFIGURATION	NUMBER OF MARKS	RECOMMENDED PANEL THICKNESS	GASKET PART NUMBER
3	A	2	1.27	NOT TOOLED
	B	3	1.60	612154-3-B
	C	4	2.03	NOT TOOLED
6	A	2	1.27	612154-6-A
	B	3	1.60	NOT TOOLED
	C	4	2.03	612154-6-C
9	A	2	1.27	NOT TOOLED
	B	3	1.60	612154-9-B
	C	4	2.03	NOT TOOLED



ISSUE	CHANGE NOTE	DRAWN	CHECKED	APP. ENG.	APP. MARKETING	DATE
01	DUK-72673	JOB	JP	RJM	CEO	19/03/2021

IF IN DOUBT, ASK

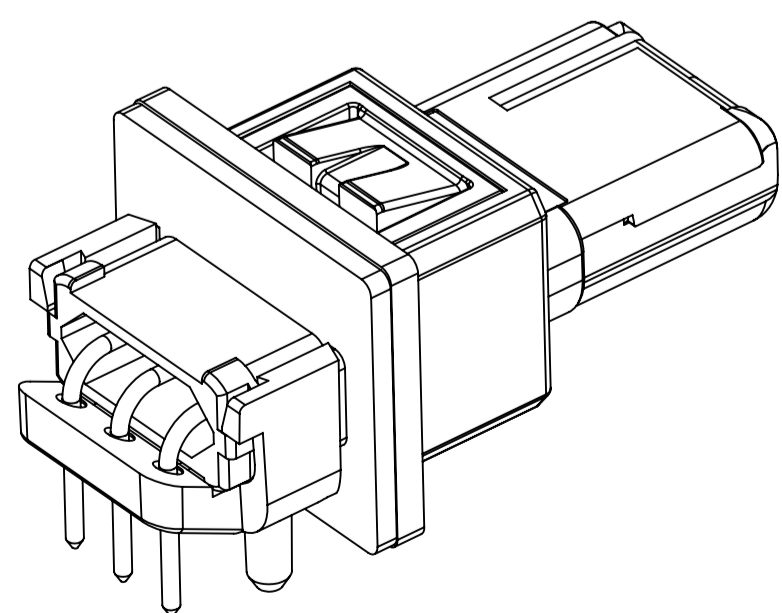
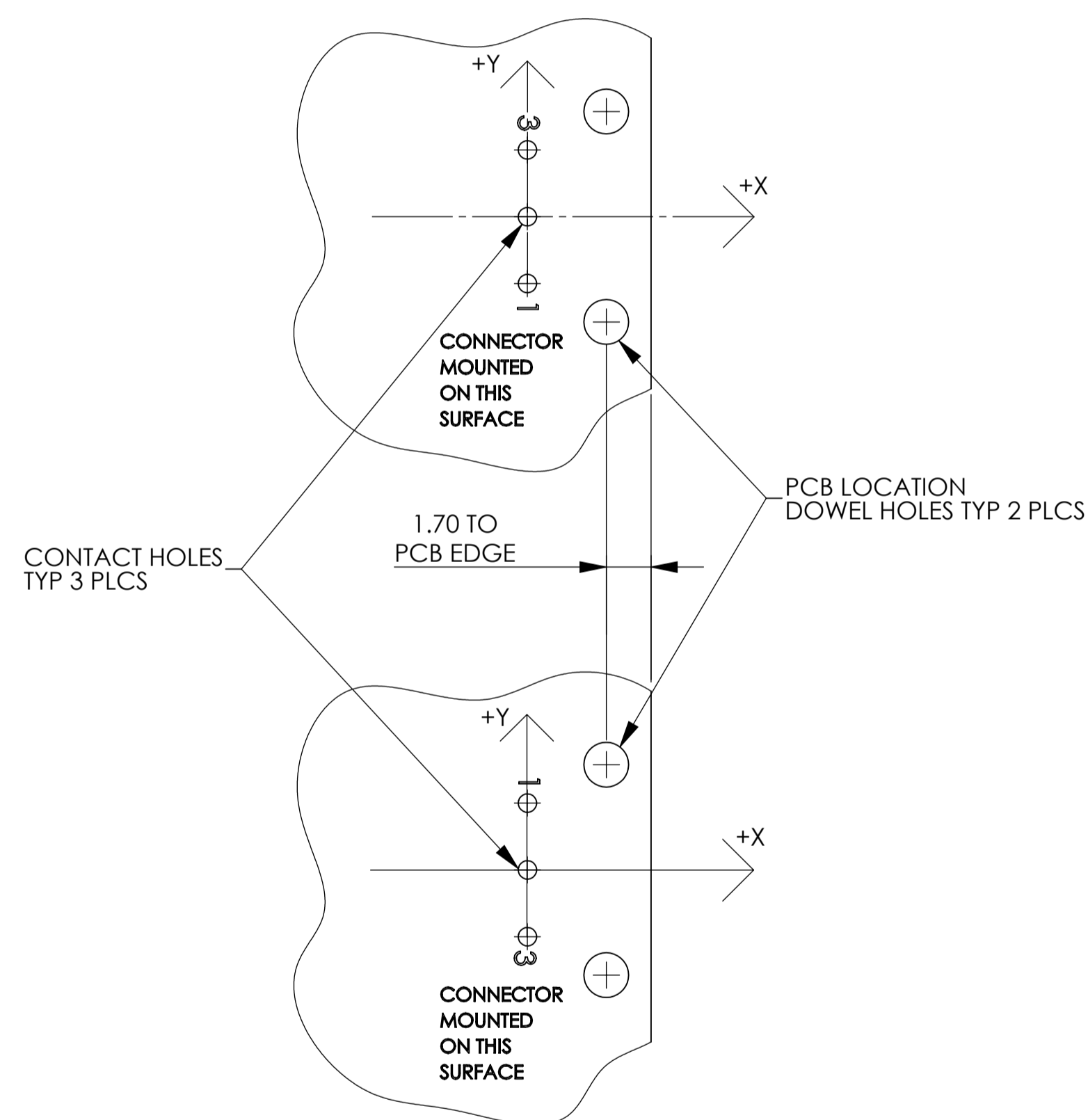
BS8888 THIRD ANGLE PROJECTION UNLESS OTHERWISE STATED: DIMENSIONS: mm [INCHES]	MATERIAL: SEE NOTES	FINISH:	DEUTSCH TE CONNECTIVITY UK LTD., ST. LEONARDS-ON-SEA, TN38 9RF, UK
	TITLE: D369 SHIELDED PANEL MOUNT PCB RECEPTACLE	TYPE: CUSTOMER DRAWING	
IF IN DOUBT, ASK	SIZE: A1	SCALE: 5:1	DRAWING NUMBER: 612849-ENV
			SHEET: 1 OF 2 ISSUE: 01

THIS INFORMATION IS CONFIDENTIAL AND PROPRIETARY TO TYCO ELECTRONICS CORPORATION AND ITS WORLDWIDE SUBSIDIARIES AND AFFILIATES (TE). IT MAY NOT BE DISCLOSED TO ANYONE OTHER THAN THE PERSONNEL WITH AUTHORIZATION FROM TE (WWW.TECO.TI).

PCB HOLE LAYOUT DETAIL

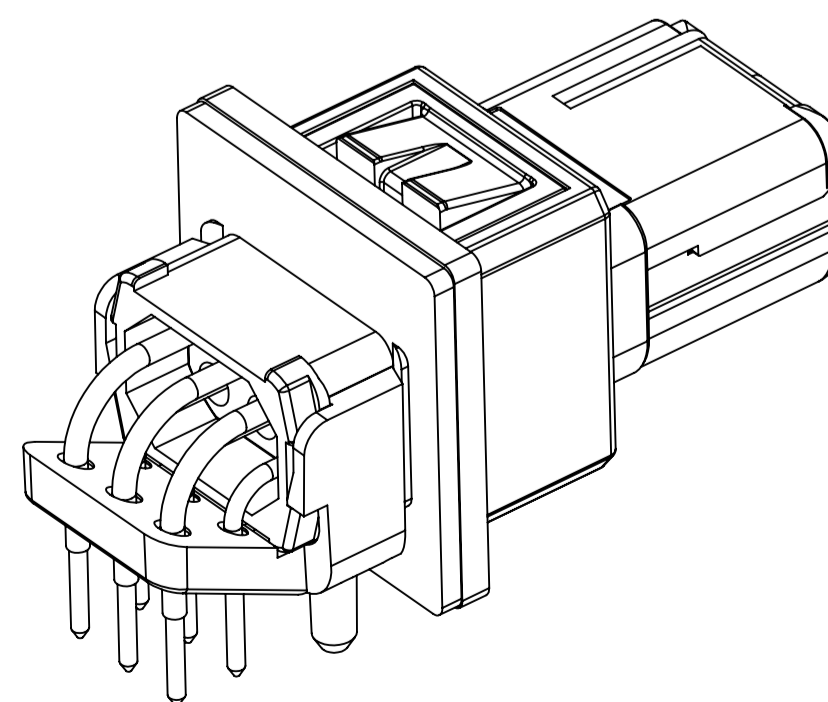
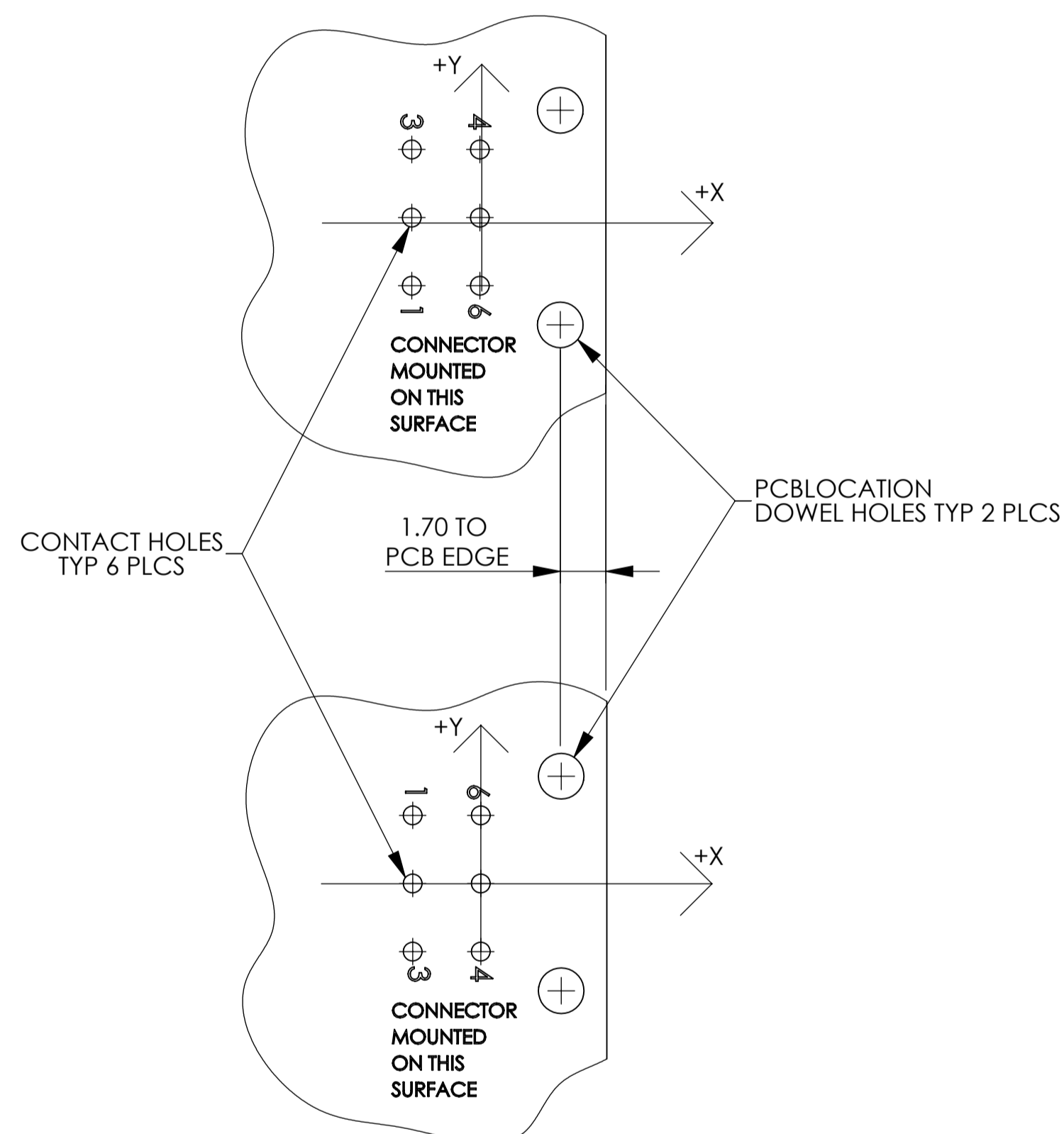
3 WAY CONNECTOR

HOLE TYPE	CO-ORDINATES (mm)				HOLE POSITION TOLERANCE	
	PIN		SOCKET			
	X AXIS	Y AXIS	X AXIS	Y AXIS		
PCB LOCATION HOLES	+3.00 REF	+4.00 REF	+3.00 REF	+4.00 REF	∅0.10	
	+3.00 REF	-4.00 REF	+3.00 REF	-4.00 REF		
CONTACT TAIL HOLES	LOCATION	-	-	-	HOLE DIAMETERS AND TOLERANCES AND HOLE POSITION TOLERANCES TO SUIT CUSTOMER PCB DESIGN GUIDELINES	
	1	0	-2.54	0		+2.54
	2	0	0	0		0
	3	0	+2.54	0		-2.54



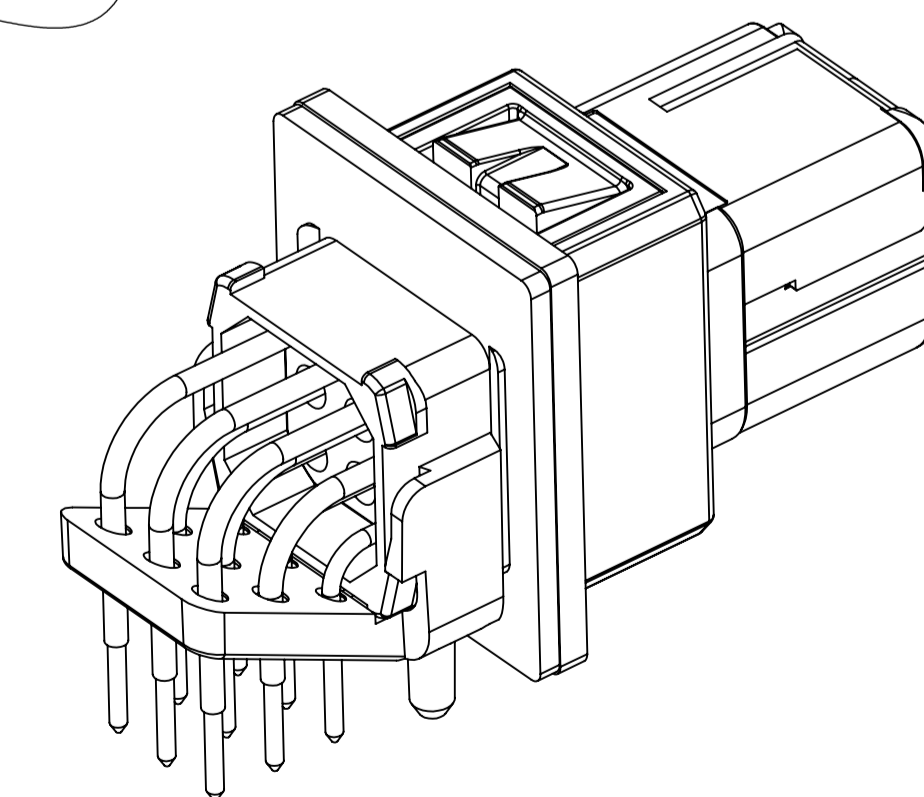
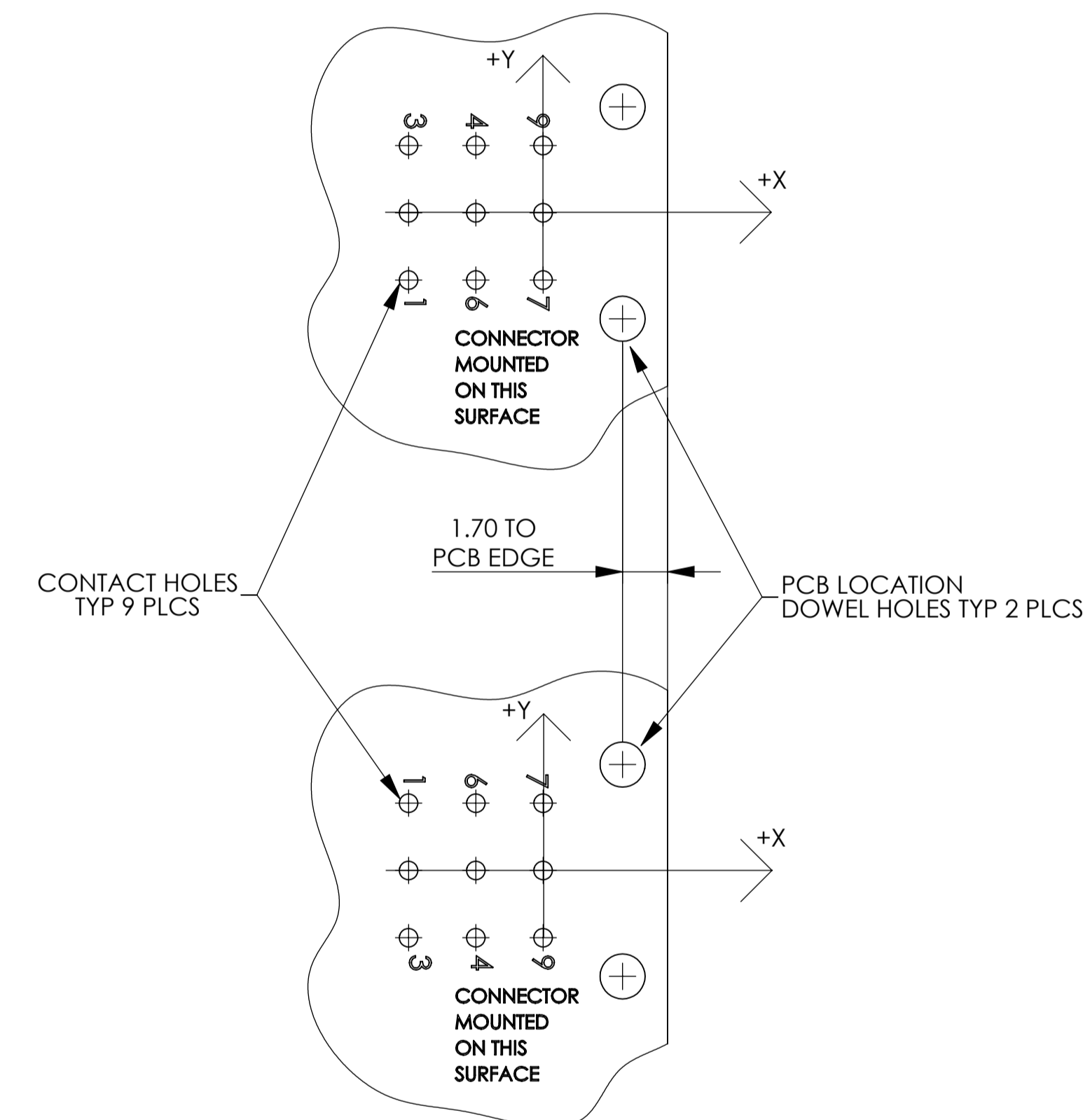
6 WAY CONNECTOR

HOLE TYPE	CO-ORDINATES (mm)				HOLE POSITION TOLERANCE	
	PIN		SOCKET			
	'X'	'Y'	'X'	'Y'		
PCB LOCATION HOLES	+3.00 REF	+4.00 REF	+3.00 REF	+4.00 REF	∅0.10	
	+3.00 REF	-4.00 REF	+3.00 REF	-4.00 REF		
CONTACT TAIL HOLES	LOCATION	-	-	-	HOLE DIAMETERS AND TOLERANCES AND HOLE POSITION TOLERANCES TO SUIT CUSTOMER PCB DESIGN GUIDELINES	
	1	-2.54	-2.54	-2.54		+2.54
	2	-2.54	0	-2.54		0
	3	-2.54	+2.54	-2.54		-2.54
	4	0	+2.54	0		-2.54
	5	0	0	0		0
	6	0	-2.54	0		+2.54



9 WAY CONNECTOR

HOLE TYPE	CO-ORDINATES (mm)				HOLE POSITION TOLERANCE	
	PIN		SOCKET			
	'X'	'Y'	'X'	'Y'		
PCB LOCATION HOLES	+3.00 REF	+4.00 REF	+3.00 REF	+4.00 REF	∅0.10	
	+3.00 REF	-4.00 REF	+3.00 REF	-4.00 REF		
CONTACT TAIL HOLES	LOCATION	-	-	-	HOLE DIAMETERS AND TOLERANCES AND HOLE POSITION TOLERANCES TO SUIT CUSTOMER PCB DESIGN GUIDELINES	
	1	-5.08	-2.54	-5.08		+2.54
	2	-5.08	0	-5.08		0
	3	-5.08	+2.54	-5.08		-2.54
	4	-2.54	+2.54	-2.54		-2.54
	5	-2.54	0	-2.54		0
	6	-2.54	-2.54	-2.54		+2.54
	7	0	-2.54	0		+2.54
	8	0	0	0		0
	9	0	+2.54	0		-2.54



BS8888 THIRD ANGLE PROJECTION	MATERIAL: SEE NOTES	FINISH:	 DEUTSCH <small>TE CONNECTIVITY UK LTD., ST. LEONARDS-ON-SEA, TN38 9RF, UK.</small>	
UNLESS OTHERWISE STATED: DIMENSIONS: mm [INCHES]	TITLE: D369 SHIELDED PANEL MOUNT PCB RECEPTACLE			TYPE: CUSTOMER DRAWING
IF IN DOUBT, ASK	SIZE: A1	SCALE: 5:1		DRAWING NUMBER: 612849-ENV
			SHEET: 2 OF 2	ISSUE: 01

THIS INFORMATION IS CONFIDENTIAL AND PROPRIETARY TO TYCO ELECTRONICS CORPORATION AND ITS WORLDWIDE SUBSIDIARIES AND AFFILIATES (TE). IT MAY NOT BE DISCLOSED TO ANYONE, OTHER THAN TE PERSONNEL, WITHOUT AUTHORIZATION FROM TE (www.teccotti).