

THIS DRAWING IS UNPUBLISHED.

RELEASED FOR PUBLICATION

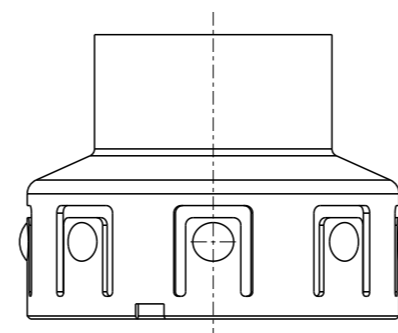
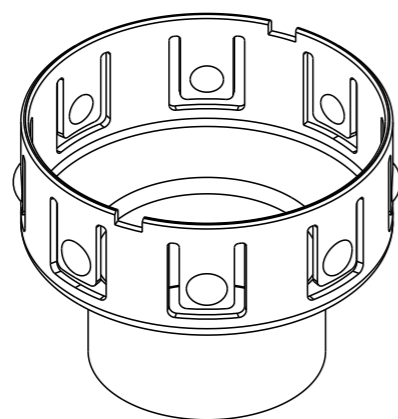
20

© COPYRIGHT 20 BY -

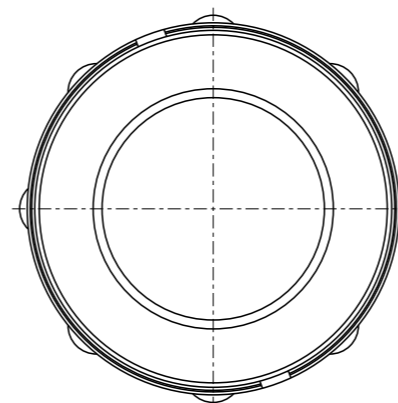
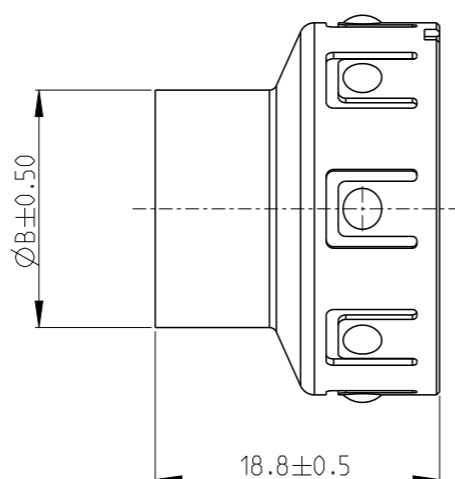
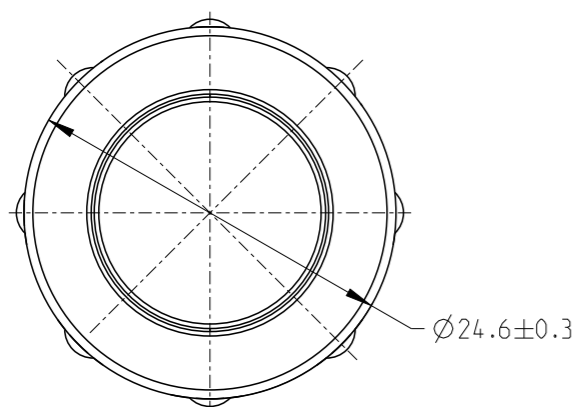
ALL RIGHTS RESERVED.

REVISIONS

P	LTR	DESCRIPTION	DATE	DWN	APVD
	A	INITIAL RELEASE	04JUL2020	F.M	I.Y
	B	DIAMETER OPTIMIZATION	10OCT2020	K.SI	E.J
	B1	ADD NEW PART	31MAR2022	C.C	Z.Z



1. PACKAGING: BULK PACKAGING IN PLASTIC BAG AND SHIPPING BOX



B1	P/N	DESCRIPTION	MATERIAL	PLATING	B
	2355150-8	SHIELDING SLEEVE FOR 95mm ² WIRE	Cu - ALLOY	Sn PLATING OVER Ni	Ø20.3
	2355150-4	SHIELDING SLEEVE FOR 50mm ² WIRE			Ø15.10
	2355150-2	SHIELDING SLEEVE FOR 70mm ² WIRE			Ø17.50

THIS DRAWING IS A CONTROLLED DOCUMENT.

DIMENSIONS: mm	TOLERANCES UNLESS OTHERWISE SPECIFIED: DIN ISO 2768-FH
	0 PLC ±
	1 PLC ±
	2 PLC ±
	3 PLC ±
	4 PLC ±
	ANGLES ±
MATERIAL SEE TABLE	FINISH -

DWN F.MA	27JUN2019
CHK E. JIANG	04JUL2019
APVD I.YIN	04JUL2019
PRODUCT SPEC	108-160140
APPLICATION SPEC	114-160083
WEIGHT	-

TE Connectivity		NAME SHIELDING SLEEVE	
		SIZE A3	CAGE CODE 00779
DRAWING NO C-2355150		RESTRICTED TO -	
CUSTOMER DRAWING		SCALE 2:1	SHEET 1 OF 1
		REV B1	