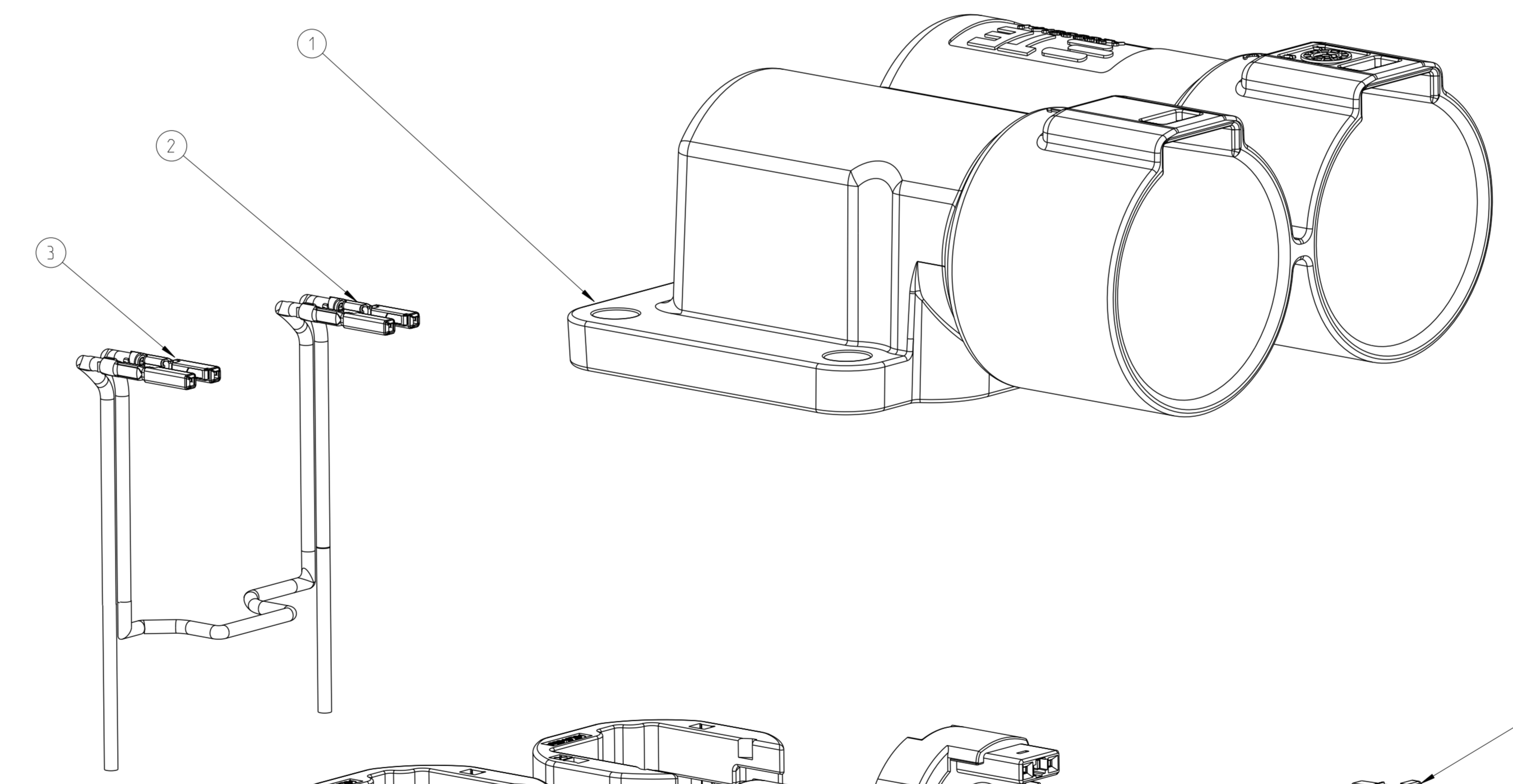
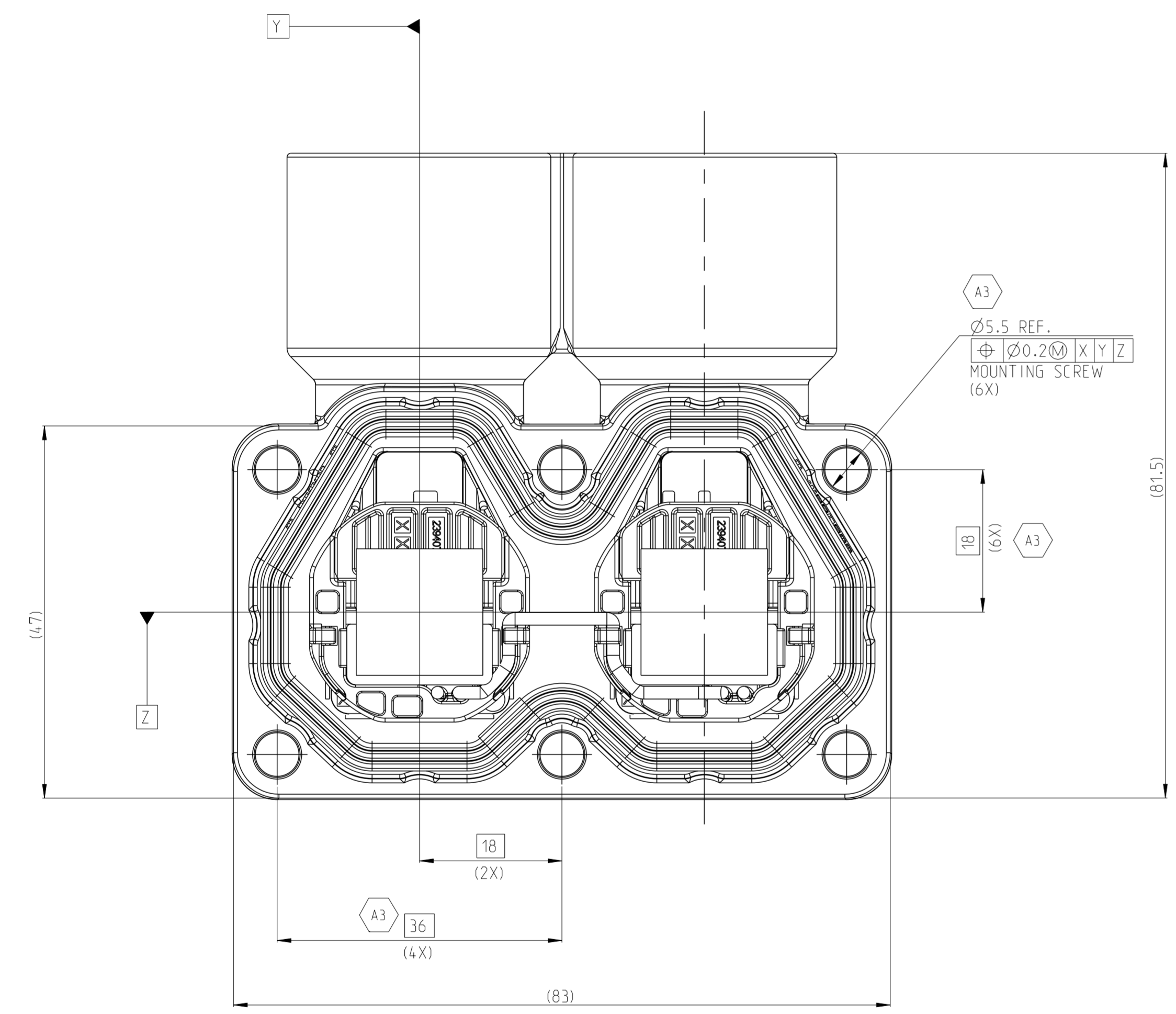
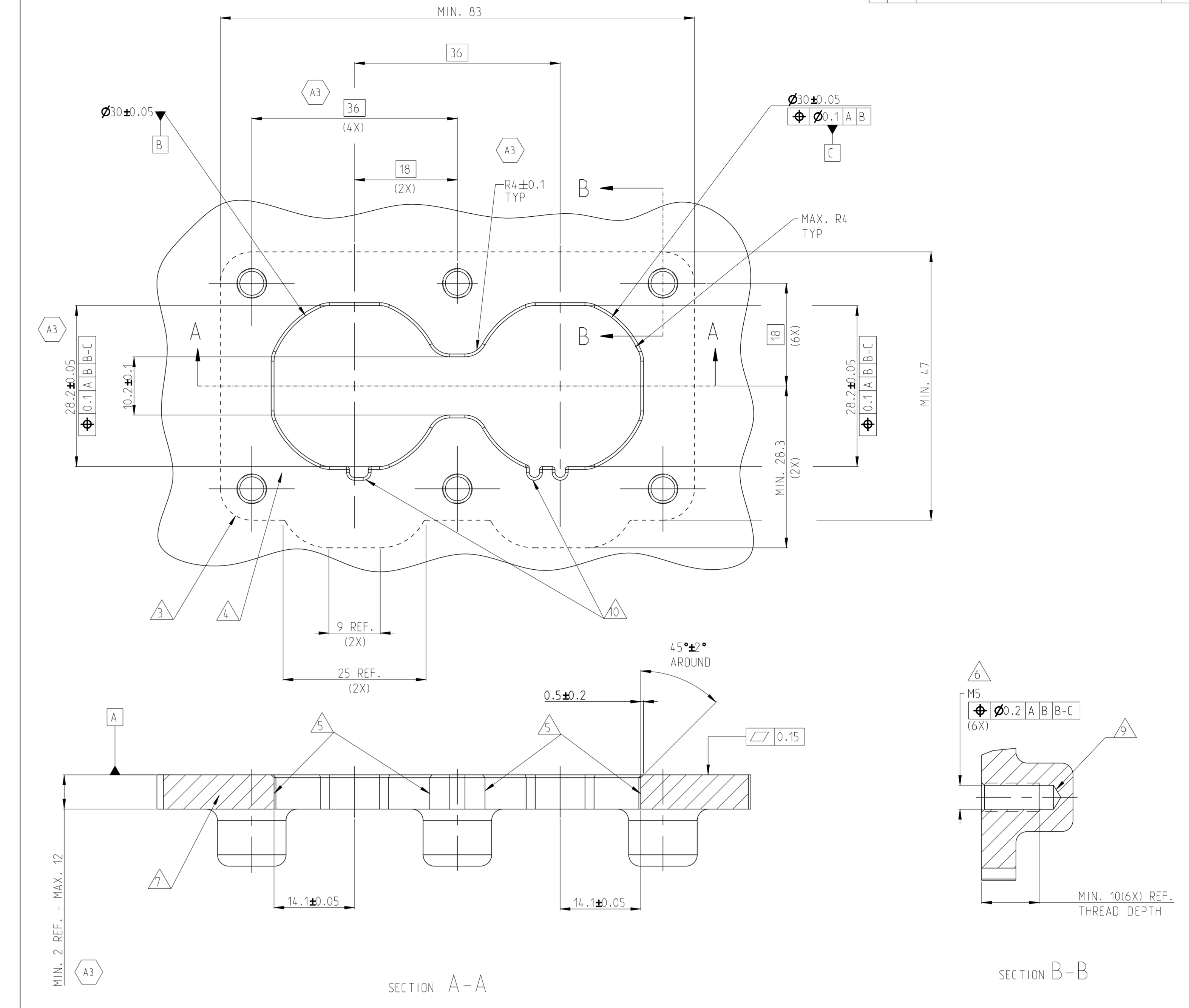
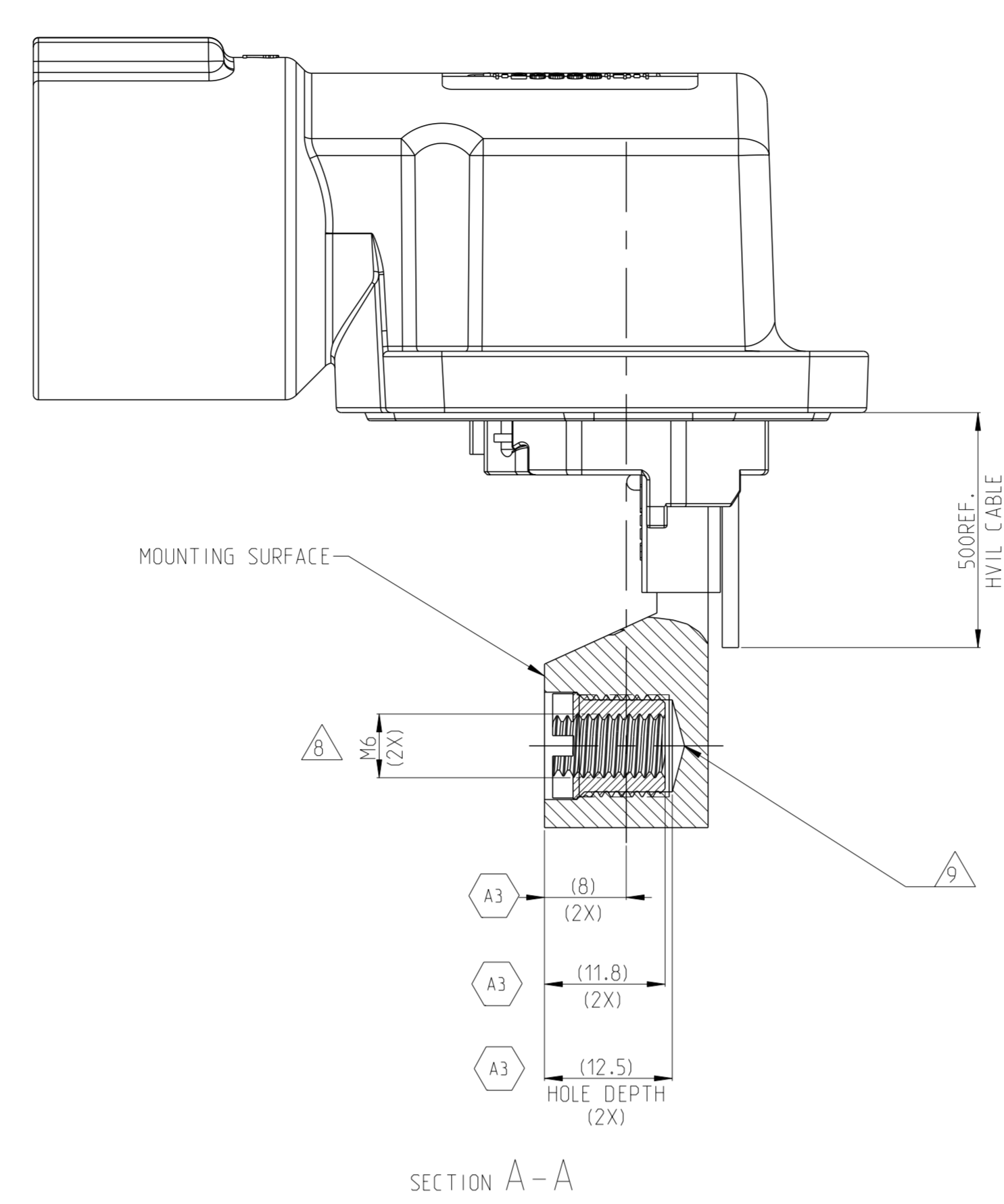
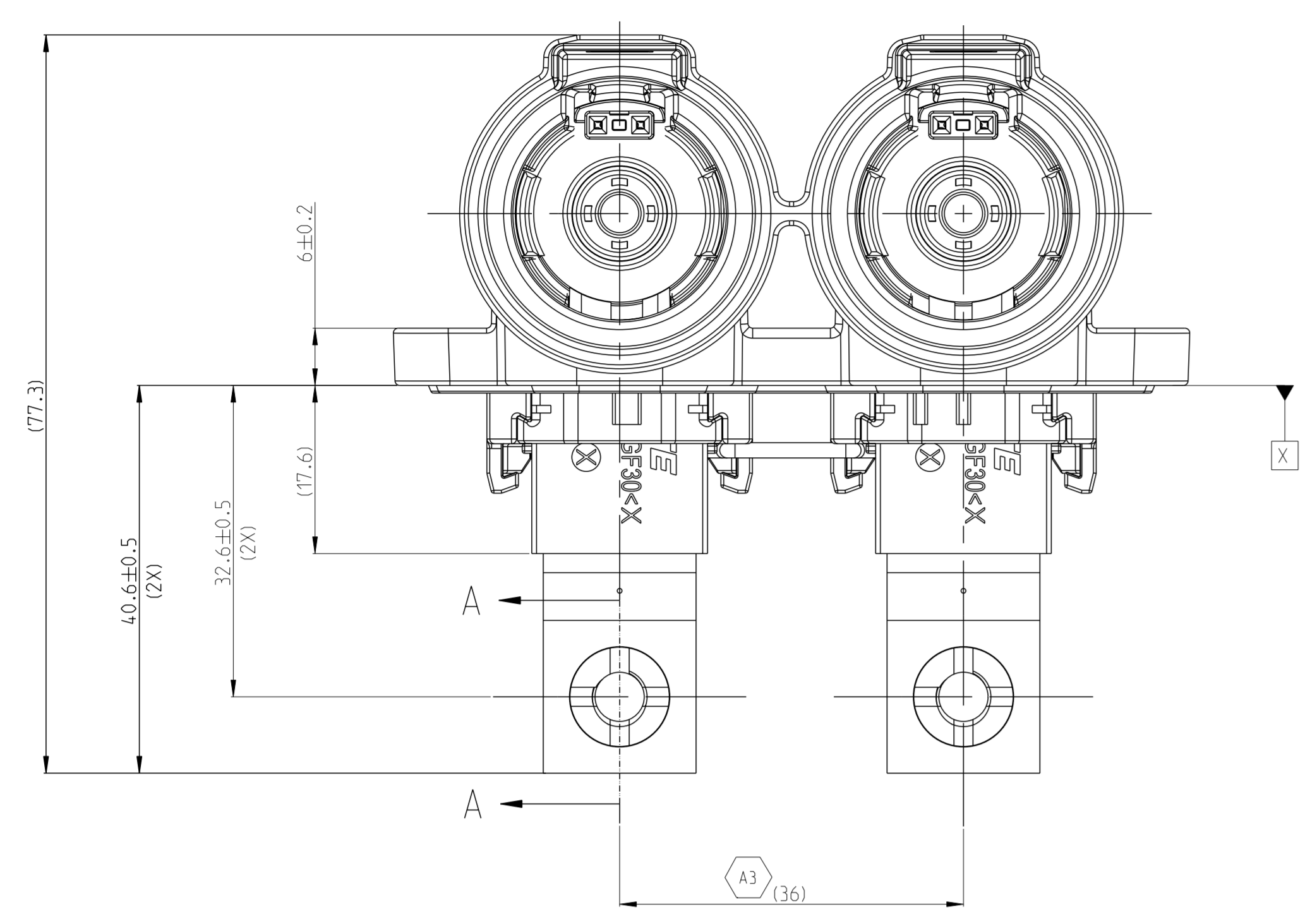


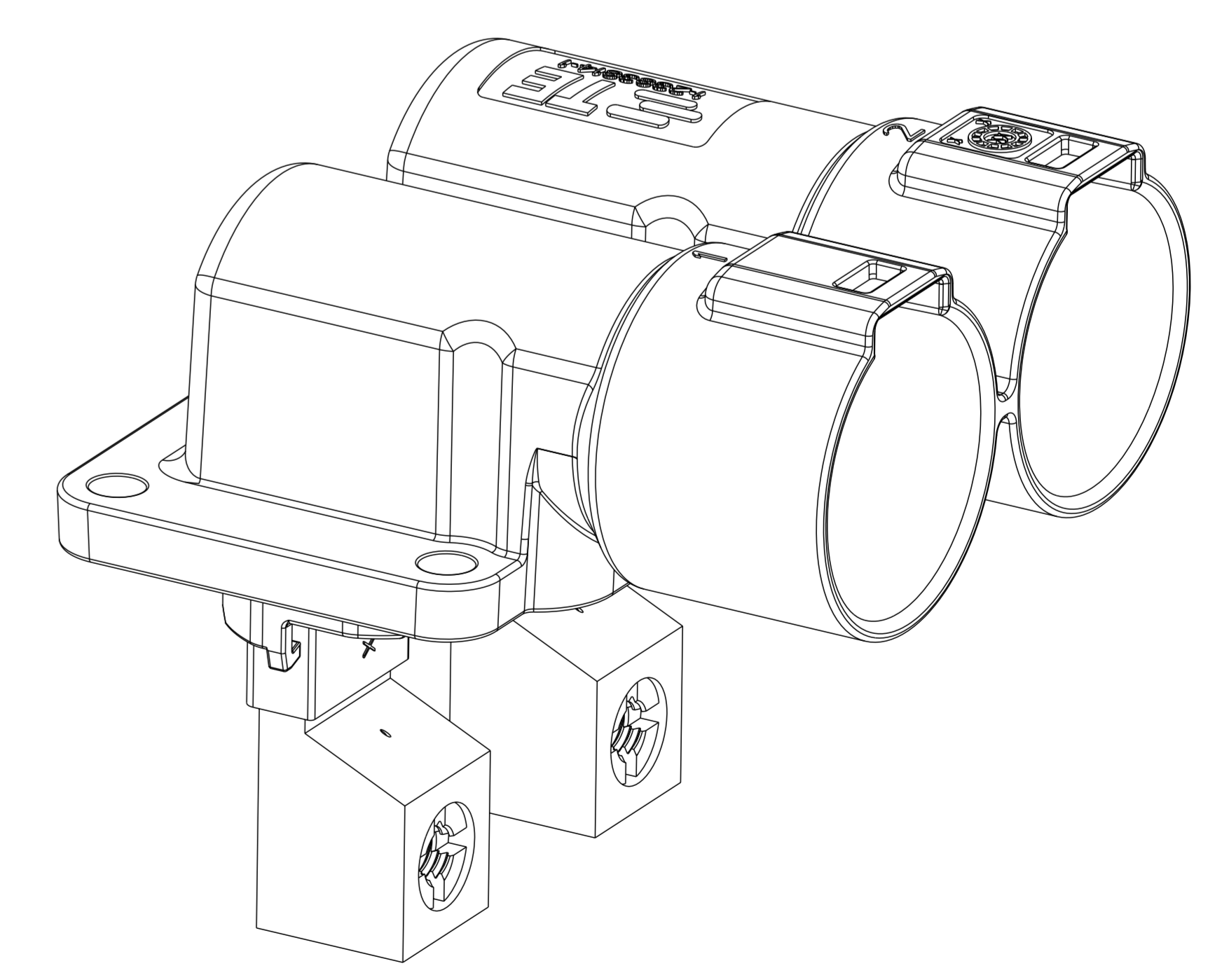
ADAPTER PLATE - HVP-HD1000 2POS HEADER INTERFACE

REVISIONS			
REV	DATE	BY	APPD
A2	26AUG2021	N.S	1.Y
A3	26SEP2022	C.C	2.Z



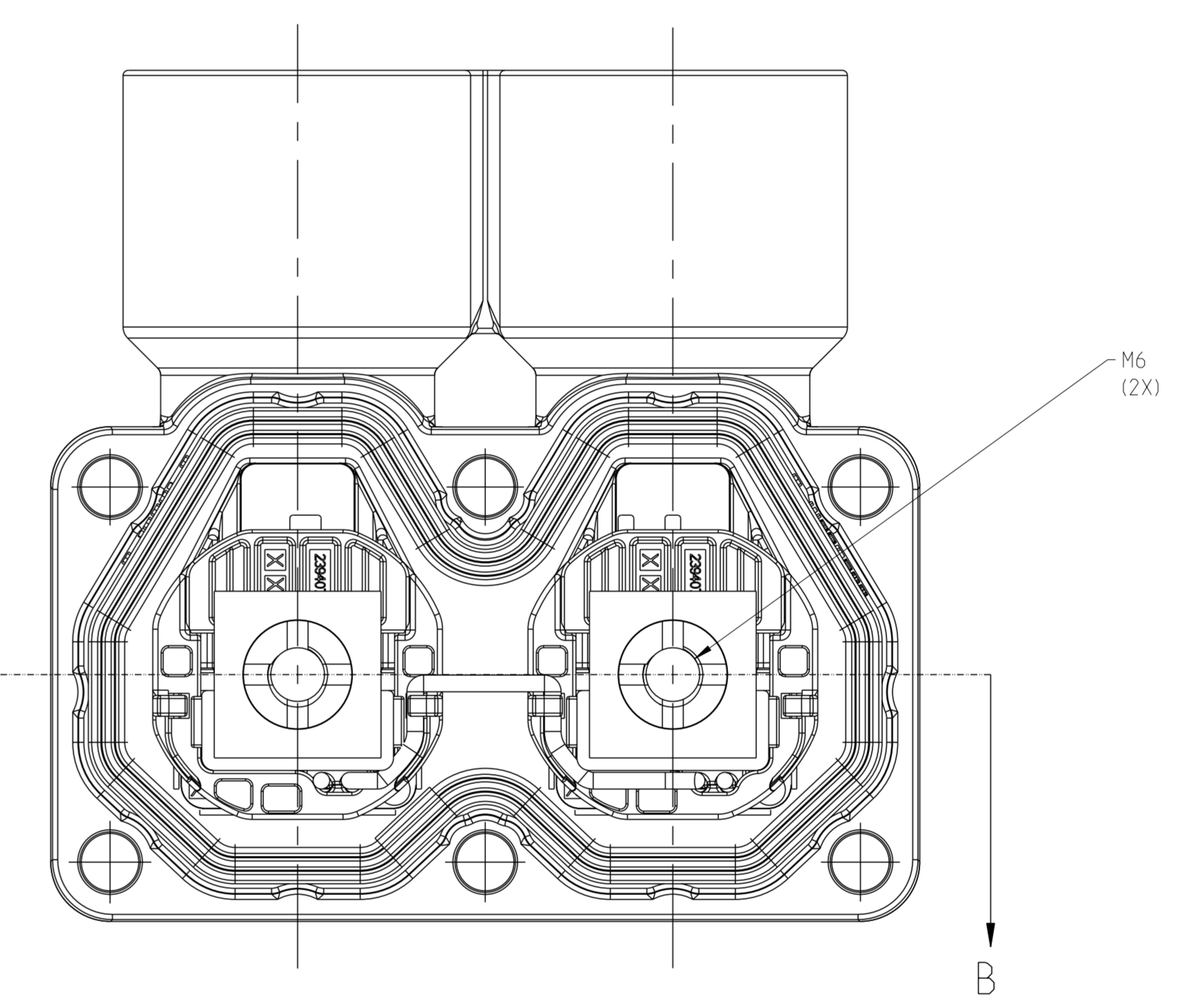
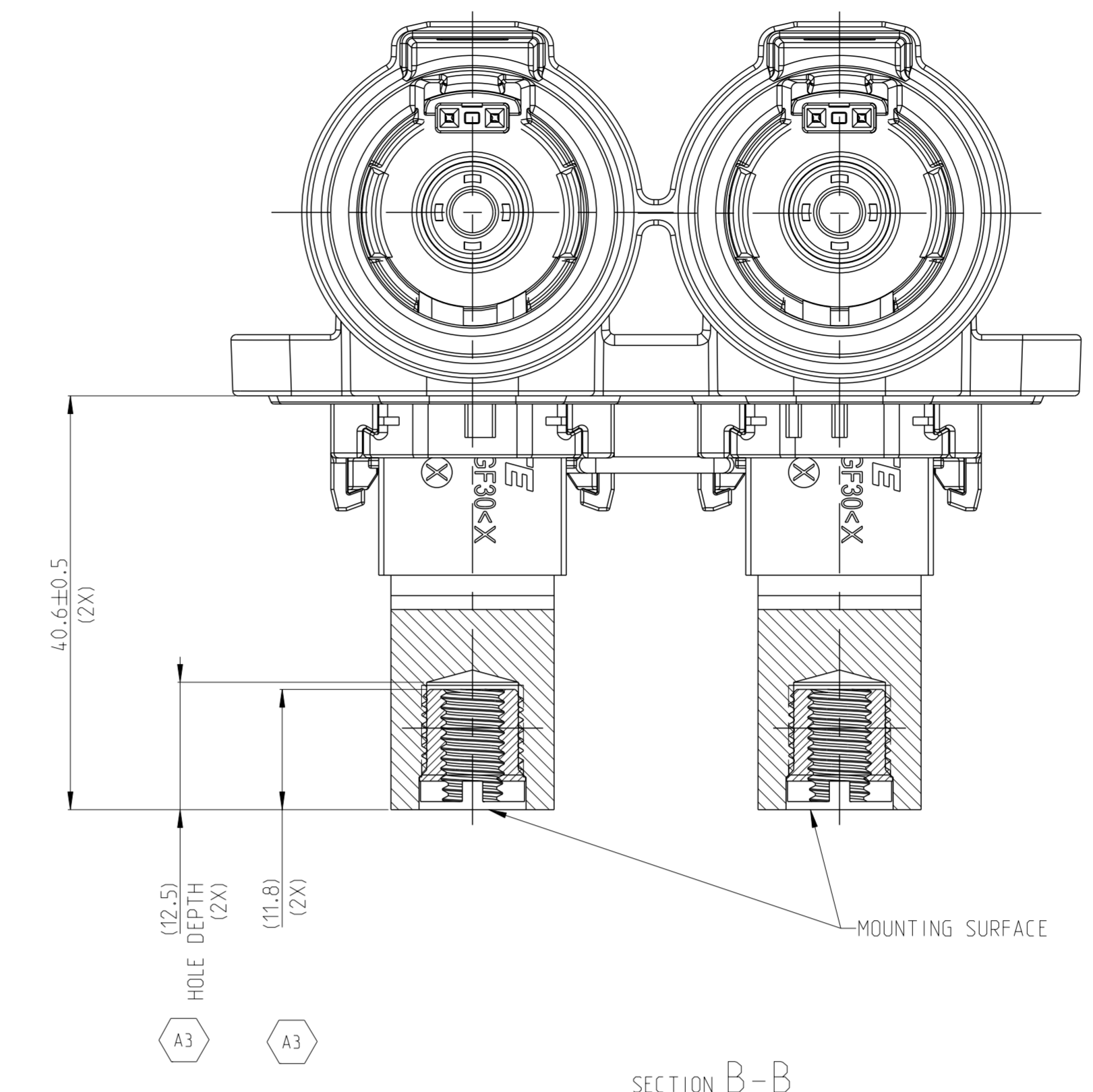
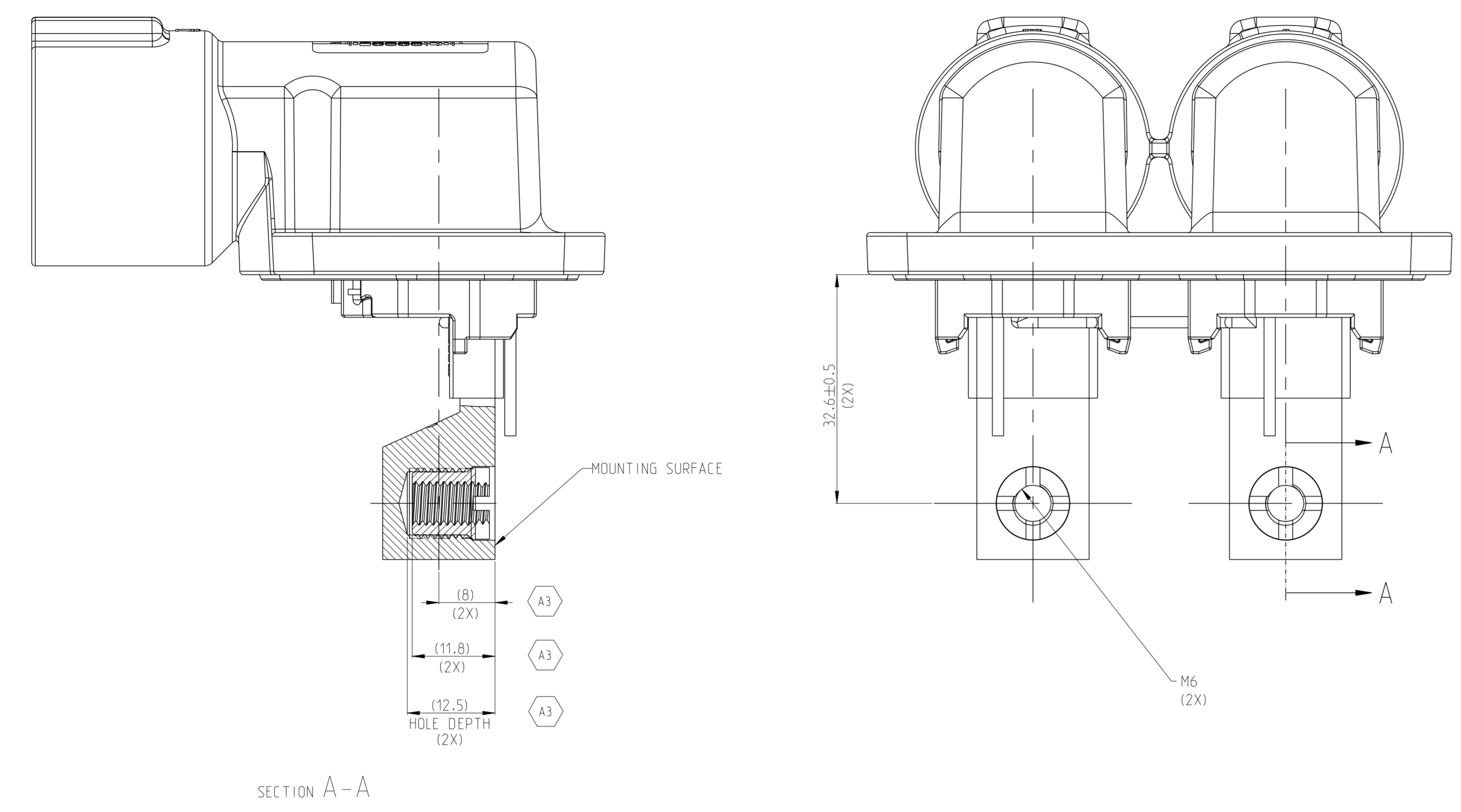
- 1. MATING CONNECTOR REFER TO DRAWING 239415
- △ CODING VARIANT
- △ FREE SPACE FOR HEADER
- △ SEALING AREA: NO BURR, TOOL PARTING, SHRINKAGE. CAVITIES AND GATE MARKS PERMITTED. SURFACE ROUGHNESS: Ra=1.6
- △ DRAFT ANGLE UP TO 0.5° PERMITTED
- △ MOUNTING SCREW MS. SCREW TYPE UP TO MANUFACTURER, DRILL HOLE DESIGN ACCORDING TO SCREW TYPE
- △ MATERIAL: CORROSION RESISTANT, ELECTROCONDUCTIVE
- △ SCREW M6 FOR BUSBAR CONNECTION
- △ ALL THREAD HOLES ARE BLIND HOLES
- △ CODE SEE SHEET 4

TE-ASSY-NO.	CODE	DESCRIPTION	DESCRIPTION	CODE	MATERIAL	SURFACE COLOR	WEIGHT (g)	QTY	ITEM
2394071-6	L/M	2POS.PIN DIA 10.0 HDR ASSY,90DEG	CODE HOUSING	M	PA66-GF	AQUA RED	1	11	
			CODE HOUSING	L	PA66-GF	AQUA BROWN	(325)	1	10
			FOLLOW 2394071-1						
2394071-5	J/K	2POS.PIN DIA 10.0 HDR ASSY,90DEG	CODE HOUSING	K	PA66-GF	AQUA GREEN	1	11	
			CODE HOUSING	J	PA66-GF	ORANGE	(325)	1	10
			FOLLOW 2394071-1						
2394071-4	G/H	2POS.PIN DIA 10.0 HDR ASSY,90DEG	CODE HOUSING	H	PA66-GF	YELLOW	1	11	
			CODE HOUSING	G	PA66-GF	RED	(325)	1	10
			FOLLOW 2394071-1						
2394071-3	E/F	2POS.PIN DIA 10.0 HDR ASSY,90DEG	CODE HOUSING	F	PA66-GF	BROWN	1	11	
			CODE HOUSING	E	PA66-GF	GREEN	(325)	1	10
			FOLLOW 2394071-1						
2394071-2	C/D	2POS.PIN DIA 10.0 HDR ASSY,90DEG	CODE HOUSING	D	PA66-GF	PURPLE	1	11	
			CODE HOUSING	C	PA66-GF	Blue	(325)	1	10
			FOLLOW 2394071-1						
2394071-1	A/B	2POS.PIN DIA 10.0 HDR ASSY,90DEG	CODE HOUSING	B	PA66-GF	NATURE	1	11	
			CODE HOUSING	A	PA66-GF	BLACK	1	10	
			HEADER TPA	-	PA66-GF	RED	2	9	
			FINGER PROTECTION CAP	-	PA66-GF	BLACK	2	8	
			FACE SEAL	-	SILICONE	RED	1	7	
			BUSBAR OVERMOLD,FRONT SIDE	-	-	-	2	6	
			OUTER HOUSING	-	PA66-GF	BLACK	2	5	
			INNER HOUSING	-	PA66-GF	BLACK	2	4	
			HV INTERLOCK CABLE, BRIDGED	-	-	-	1	3	
			HV INTERLOCK CABLE	-	-	-	2	2	
HEADER HOUSING 90DEG,2POS	-	-	-	1	1				
TE-ASSY-NO.	CODE	DESCRIPTION	DESCRIPTION	CODE	MATERIAL	SURFACE COLOR	WEIGHT (g)	QTY	ITEM



THIS DRAWING IS A CONTROLLED DOCUMENT.		REV	26AUG2021	BY	SHI
DIMENSIONS:		CHK	26AUG2021	BY	LL
UNIT:		APPD	26AUG2021	BY	JLYN
TOLERANCES UNLESS OTHERWISE SPECIFIED:		PRODUCT SPEC	108-16034-1	APPROV	26AUG2021
F P L		APPROV SPEC	114-160181	SCALE	1:1
MATERIAL		WEIGHT	SEE TABLE	SIZE	SEE TABLE
FINISH SPEC		CUSTOMER DRAWING	SCALE	2:1	SHEET 1 OF 4

REVISIONS			
REV	DATE	BY	APPV
-	-	-	-
-	-	-	-



1.MISSING DIMENSION REFER TO 2394071-1

TE-ASSY-NO.	CODE	DESCRIPTION	DESCRIPTION	CODE	MATERIAL	SURFACE COLOR	WEIGHT (g)	QTY	ITEM
1-2394071-6	L/M	2POS.PIN DIA 10.0 HDR ASSY.90DEG	CODE HOUSING	M	PA66-GF	AQUA RED	(325)	1	11
			CODE HOUSING	L	PA66-GF	AQUA BROWN		1	10
			FOLLOW 1-2394071-1	-	-	-		-	1-9
1-2394071-5	J/K	2POS.PIN DIA 10.0 HDR ASSY.90DEG	CODE HOUSING	K	PA66-GF	AQUA GREEN	(325)	1	11
			CODE HOUSING	J	PA66-GF	ORANGE		1	10
			FOLLOW 1-2394071-1	-	-	-		-	1-9
1-2394071-4	G/H	2POS.PIN DIA 10.0 HDR ASSY.90DEG	CODE HOUSING	H	PA66-GF	YELLOW	(325)	1	11
			CODE HOUSING	G	PA66-GF	RED		1	10
			FOLLOW 1-2394071-1	-	-	-		-	1-9
1-2394071-3	E/F	2POS.PIN DIA 10.0 HDR ASSY.90DEG	CODE HOUSING	F	PA66-GF	BROWN	(325)	1	11
			CODE HOUSING	E	PA66-GF	GREEN		1	10
			FOLLOW 1-2394071-1	-	-	-		-	1-9
1-2394071-2	C/D	2POS.PIN DIA 10.0 HDR ASSY.90DEG	CODE HOUSING	D	PA66-GF	PURPLE	(325)	1	11
			CODE HOUSING	C	PA66-GF	Blue		1	10
			FOLLOW 1-2394071-1	-	-	-		-	1-9
1-2394071-1	A/B	2POS.PIN DIA 10.0 HDR ASSY.90DEG	CODE HOUSING	B	PA66-GF	NATURE	(325)	1	11
			CODE HOUSING	A	PA66-GF	BLACK		1	10
			HEADER TPA	-	PA66-GF	RED		2	9
			FINGER PROTECTION CAP	-	PA66-GF	BLACK		2	8
			FACE SEAL	-	SILICONE	RED		1	7
			BUSBAR OVERMOLD,Back SIDE	-	-	-		2	6
			OUTER HOUSING	-	PA66-GF	BLACK		2	5
			INNER HOUSING	-	PA66-GF	BLACK		2	4
			HV INTERLOCK CABLE, BRIDGED	-	-	-		1	3
			HV INTERLOCK CABLE	-	-	-		2	2
			HEADER HOUSING 90DEG,2POS	-	AL-ALLOY	NICKEL PLATED		1	1

1.MISSING DIMENSION REFER TO 2394071-1

TE-ASSY-NO.	CODE	DESCRIPTION	DESCRIPTION	CODE	MATERIAL	SURFACE COLOR	WEIGHT (g)	QTY	ITEM
2-2394071-6	L/M	2POS.PIN DIA 10.0 HDR ASSY.90DEG	CODE HOUSING	M	PA66-GF	AQUA RED	(325)	1	11
			CODE HOUSING	L	PA66-GF	AQUA BROWN		1	10
			FOLLOW 2-2394071-1	-	-	-		-	1-9
2-2394071-5	J/K	2POS.PIN DIA 10.0 HDR ASSY.90DEG	CODE HOUSING	K	PA66-GF	AQUA GREEN	(325)	1	11
			CODE HOUSING	J	PA66-GF	ORANGE		1	10
			FOLLOW 2-2394071-1	-	-	-		-	1-9
2-2394071-4	G/H	2POS.PIN DIA 10.0 HDR ASSY.90DEG	CODE HOUSING	H	PA66-GF	YELLOW	(325)	1	11
			CODE HOUSING	G	PA66-GF	RED		1	10
			FOLLOW 2-2394071-1	-	-	-		-	1-9
2-2394071-3	E/F	2POS.PIN DIA 10.0 HDR ASSY.90DEG	CODE HOUSING	F	PA66-GF	BROWN	(325)	1	11
			CODE HOUSING	E	PA66-GF	GREEN		1	10
			FOLLOW 2-2394071-1	-	-	-		-	1-9
2-2394071-2	C/D	2POS.PIN DIA 10.0 HDR ASSY.90DEG	CODE HOUSING	D	PA66-GF	PURPLE	(325)	1	11
			CODE HOUSING	C	PA66-GF	Blue		1	10
			FOLLOW 2-2394071-1	-	-	-		-	1-9
2-2394071-1	A/B	2POS.PIN DIA 10.0 HDR ASSY.90DEG	CODE HOUSING	B	PA66-GF	NATURE	(325)	1	11
			CODE HOUSING	A	PA66-GF	BLACK		1	10
			HEADER TPA	-	PA66-GF	RED		2	9
			FINGER PROTECTION CAP	-	PA66-GF	BLACK		2	8
			FACE SEAL	-	SILICONE	RED		1	7
			BUSBAR OVERMOLD, TOP SIDE	-	-	-		2	6
			OUTER HOUSING	-	PA66-GF	BLACK		2	5
			INNER HOUSING	-	PA66-GF	BLACK		2	4
			HV INTERLOCK CABLE, BRIDGED	-	-	-		1	3
			HV INTERLOCK CABLE	-	-	-		2	2
			HEADER HOUSING 90DEG,2POS	-	AL-ALLOY	NICKEL PLATED		1	1

THIS DRAWING IS A CONTROLLED DOCUMENT. DATE: 26AUG2021

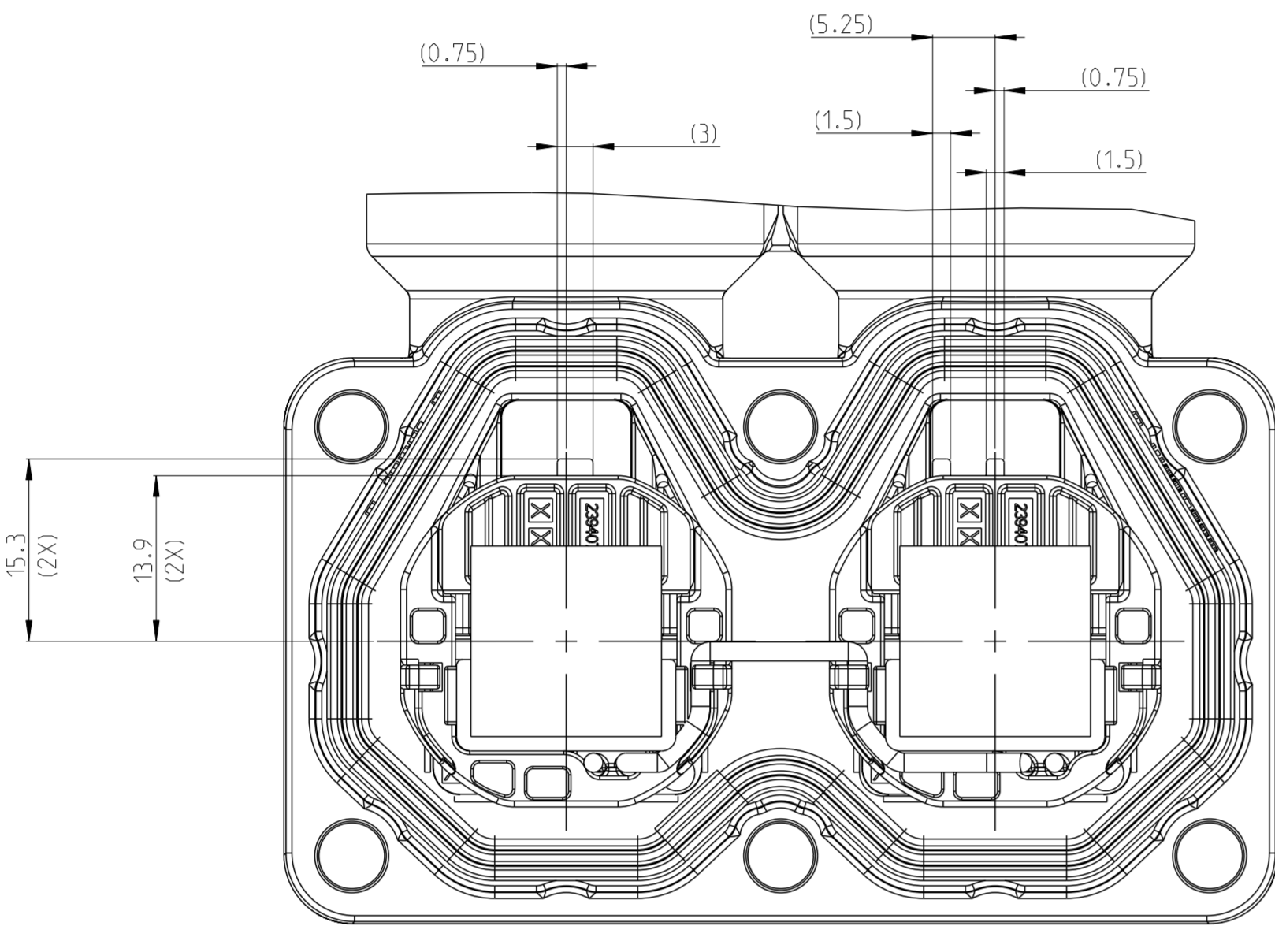
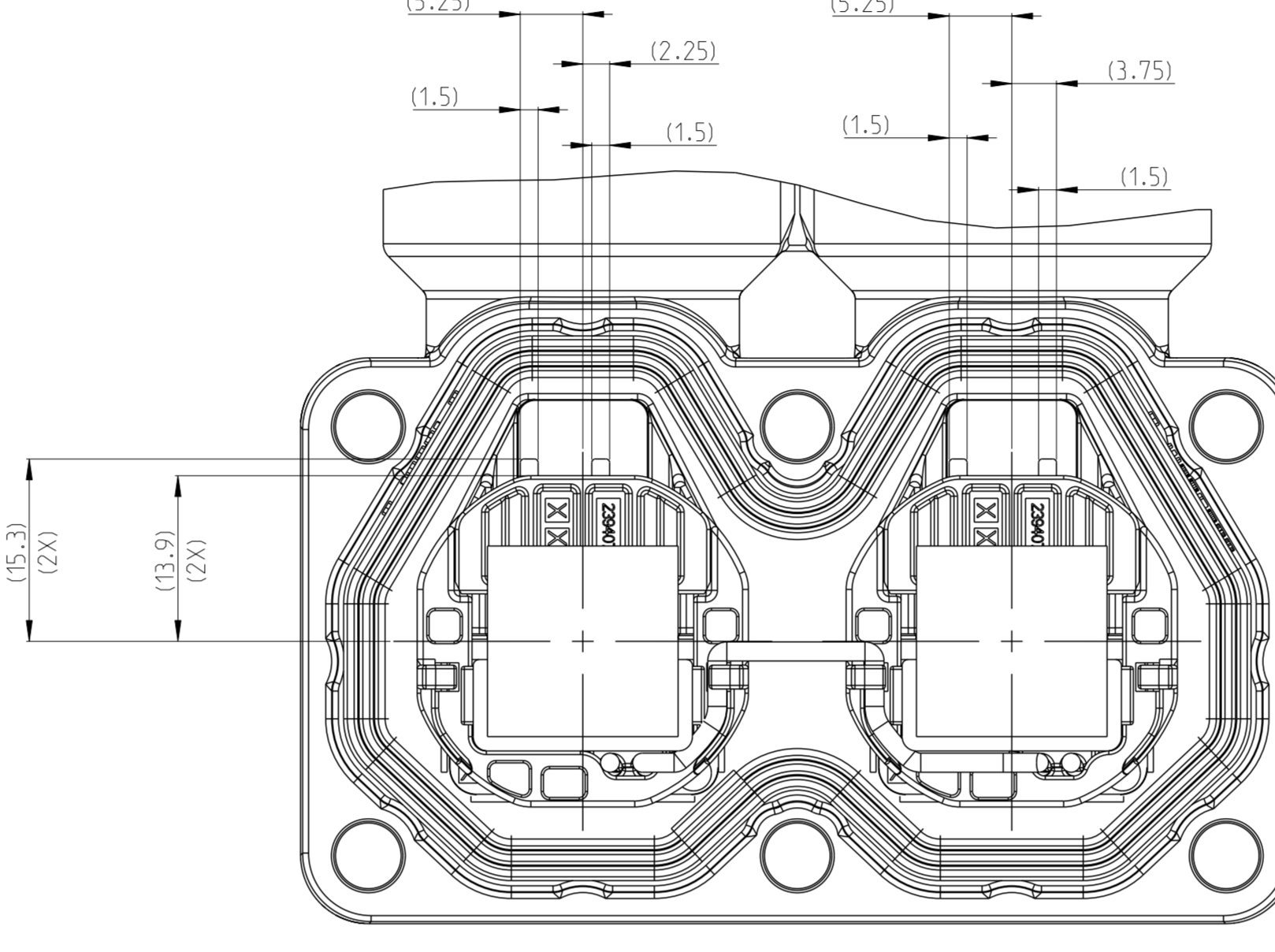
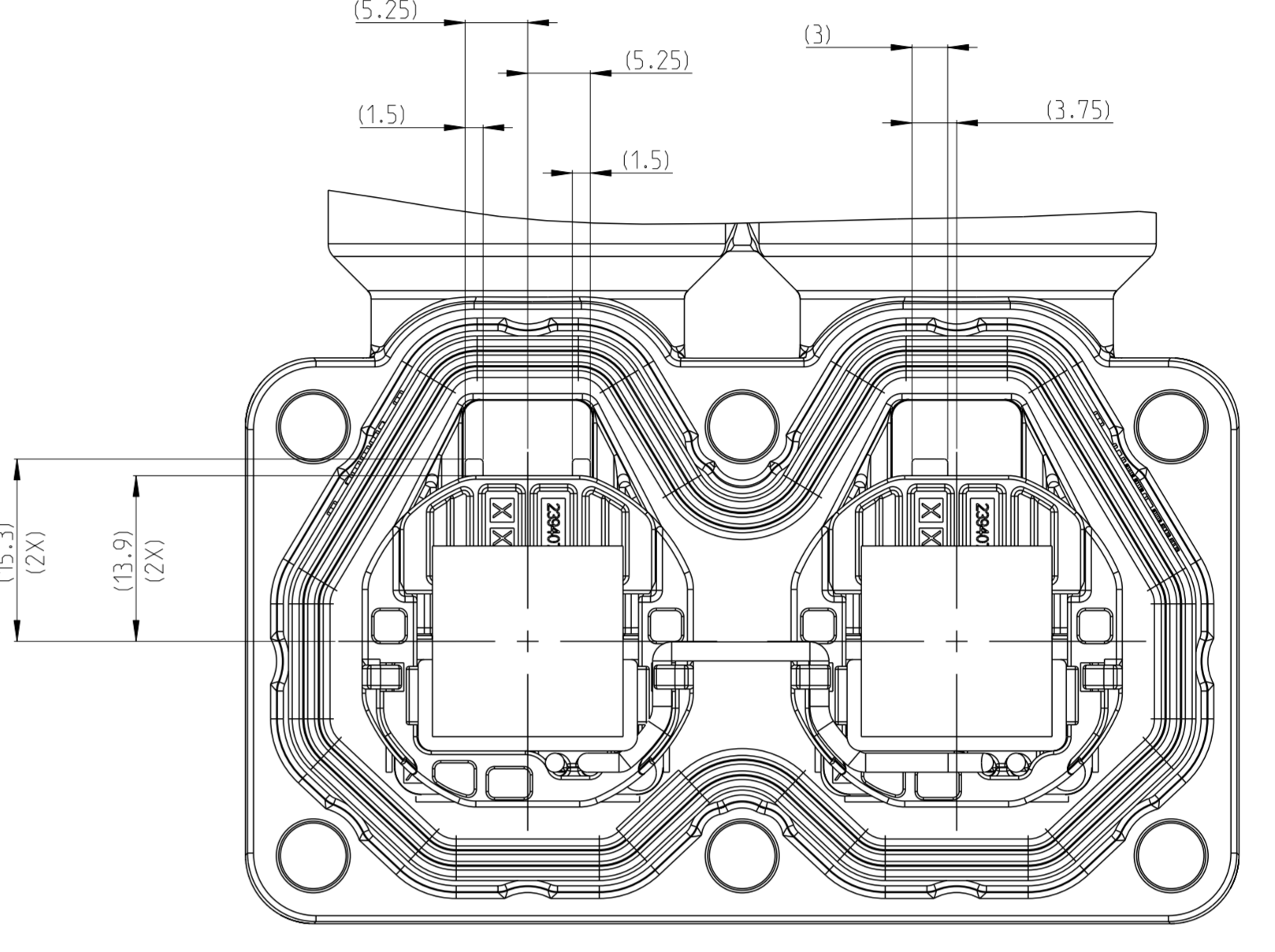
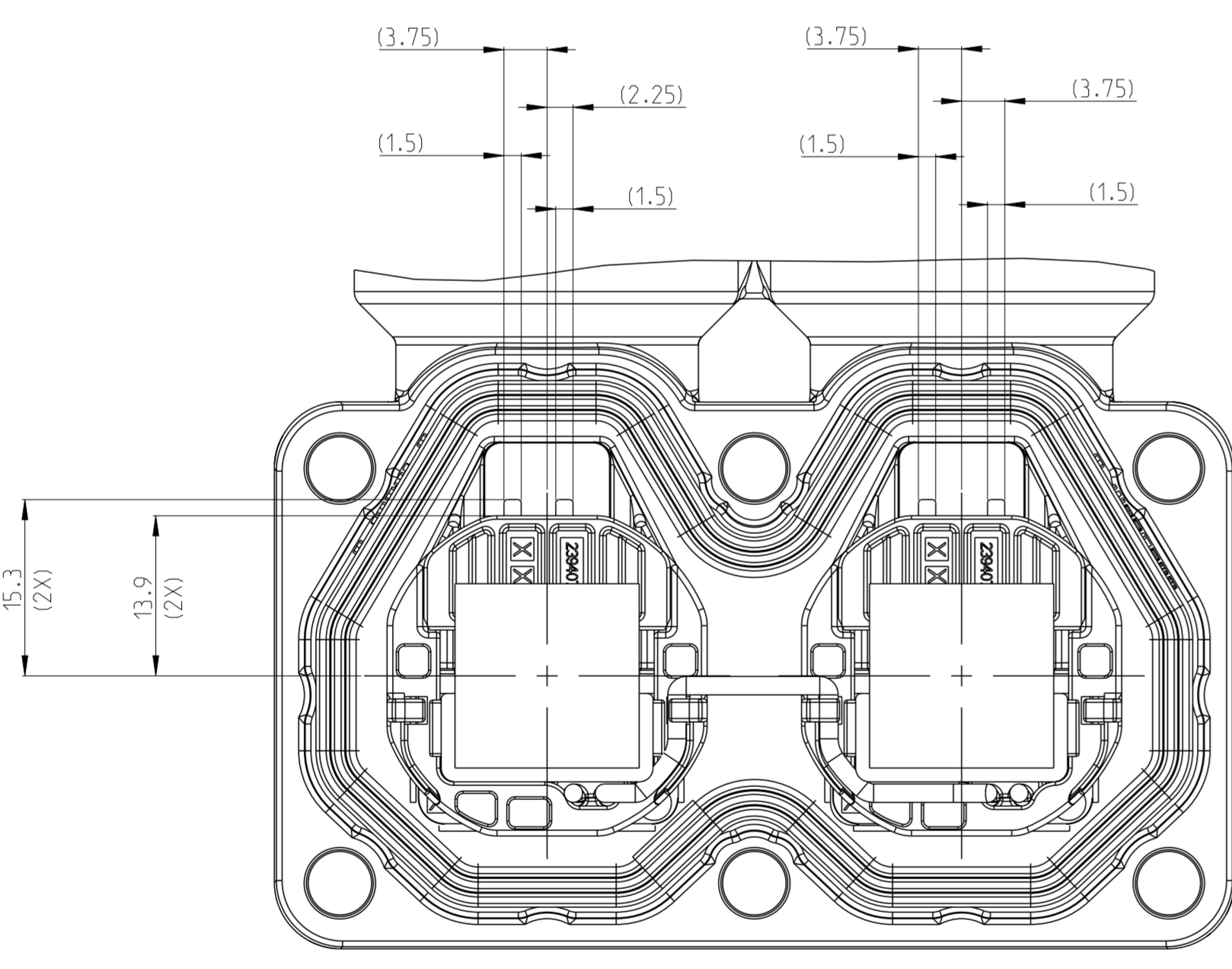
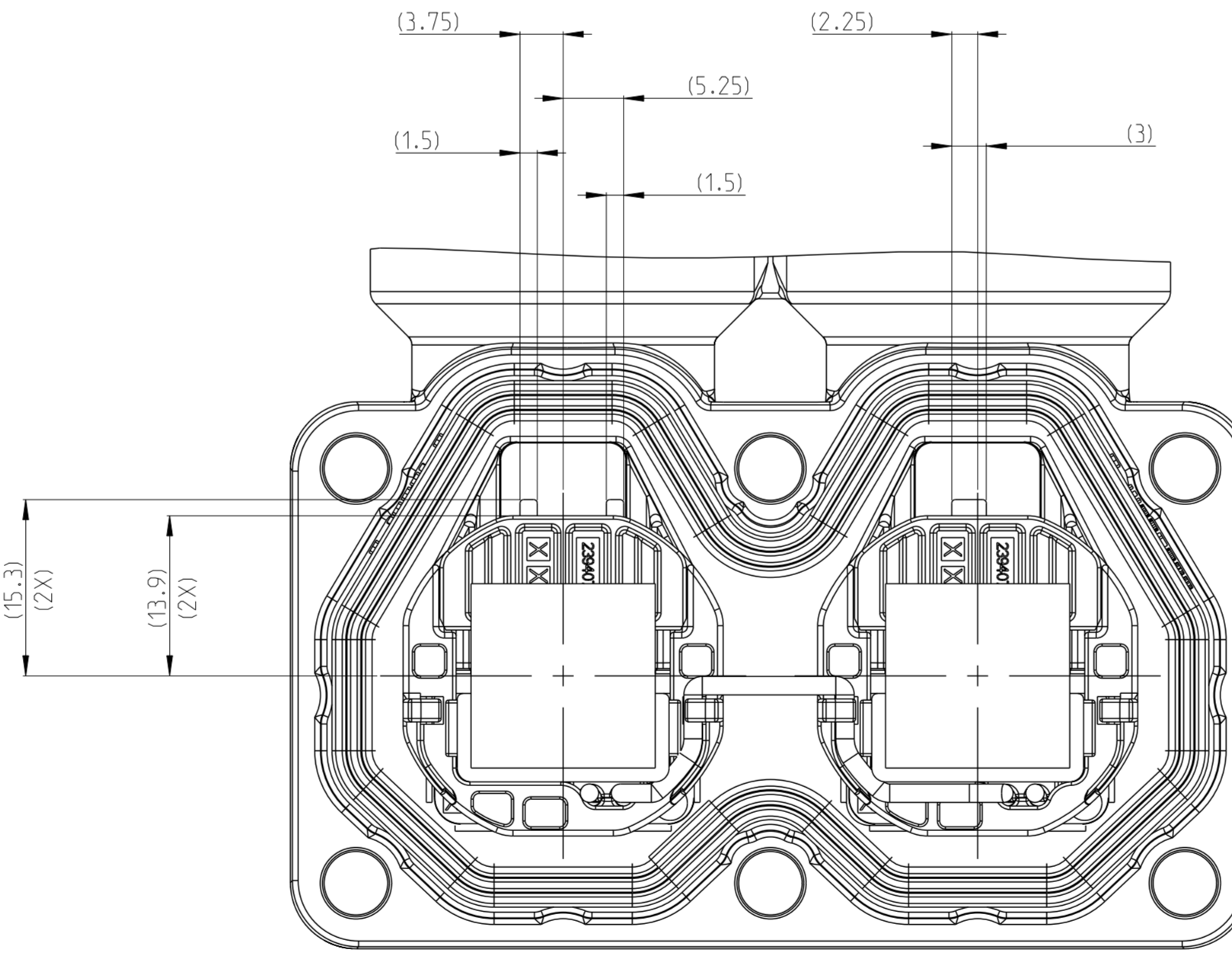
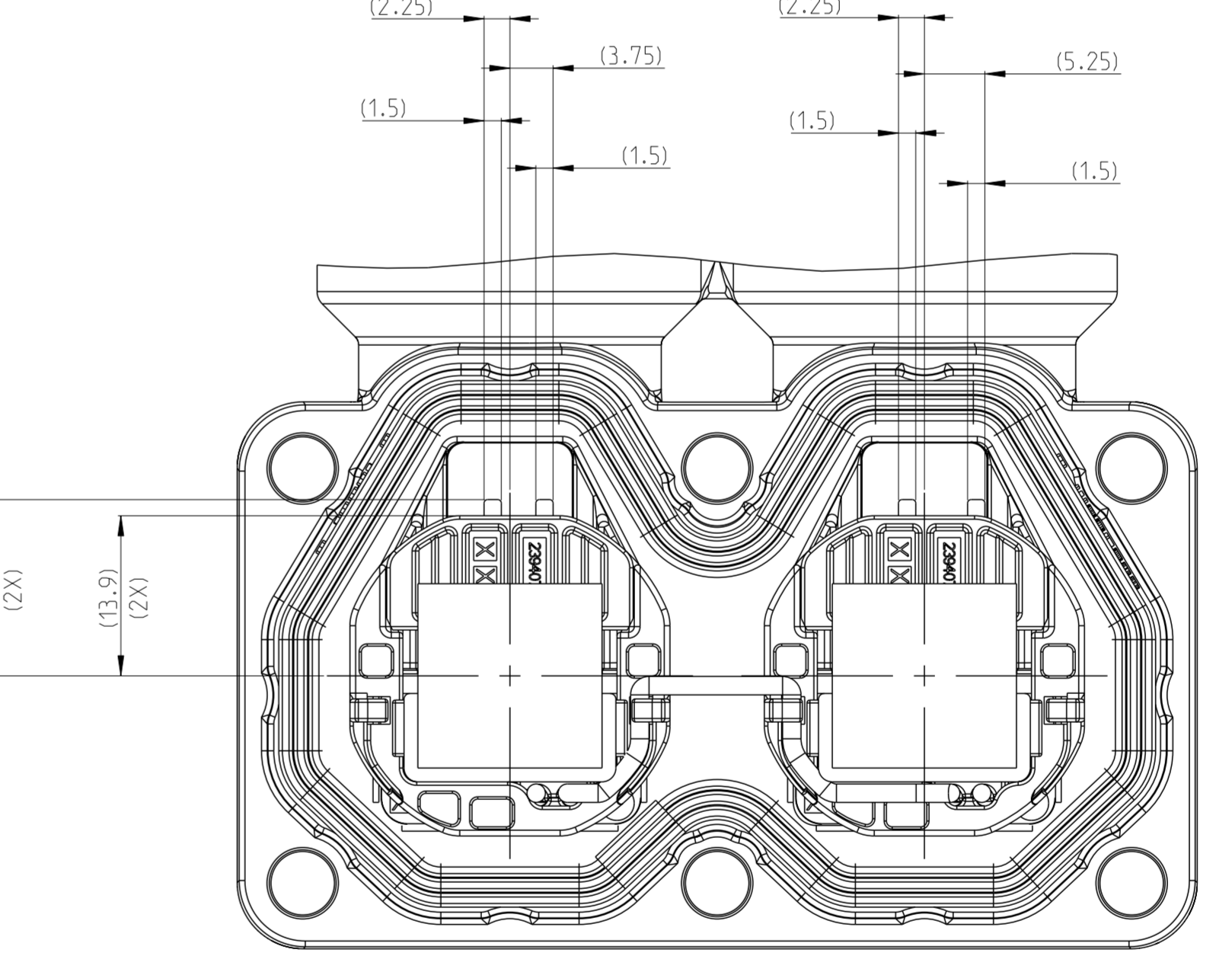
TE Connectivity

2POS.PIN DIA 10.0 HDR ASSY.90DEG
HVP-HD1000

SCALE: 2:1 SHEET 2 OF 4

REVISIONS			
REV	DATE	BY	APPV
-	-	-	-
-	-	-	-

TABLE 4

•-1		•-2		•-3	
CODE A	CODE B	CODE C	CODE D	CODE E	CODE F
					
•-4		•-5		•-6	
CODE G	CODE H	CODE J	CODE K	CODE L	CODE M
					

THIS DRAWING IS A CONTROLLED DOCUMENT.

DATE	26AUG2021
CHK	L.L.
APPV	J.Y.I.N.
DATE	26AUG2021

TE Connectivity

2POS.PIN DIA 10.0 HDR ASSY.90DEG
HVP-HD1000

108-16034-1

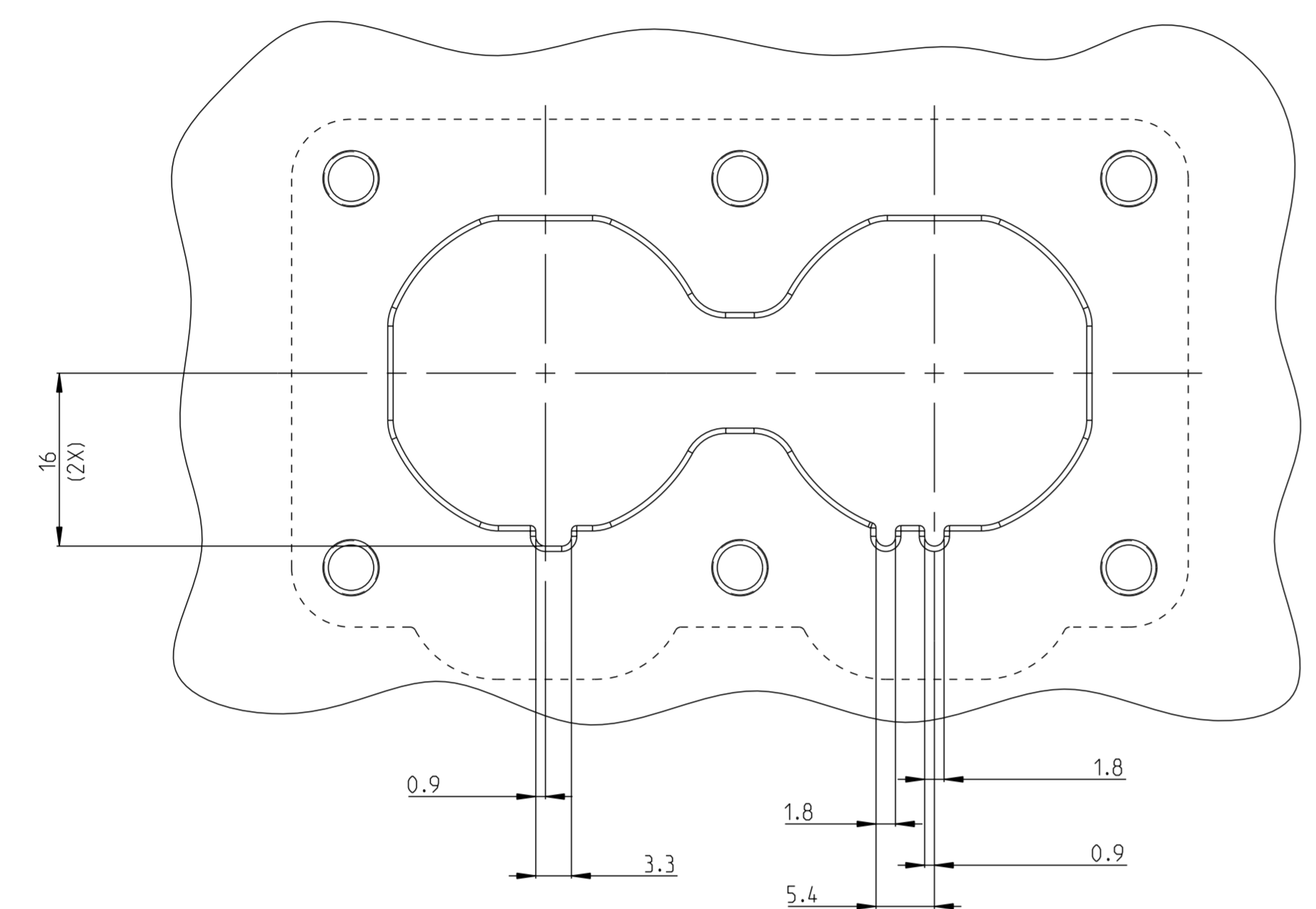
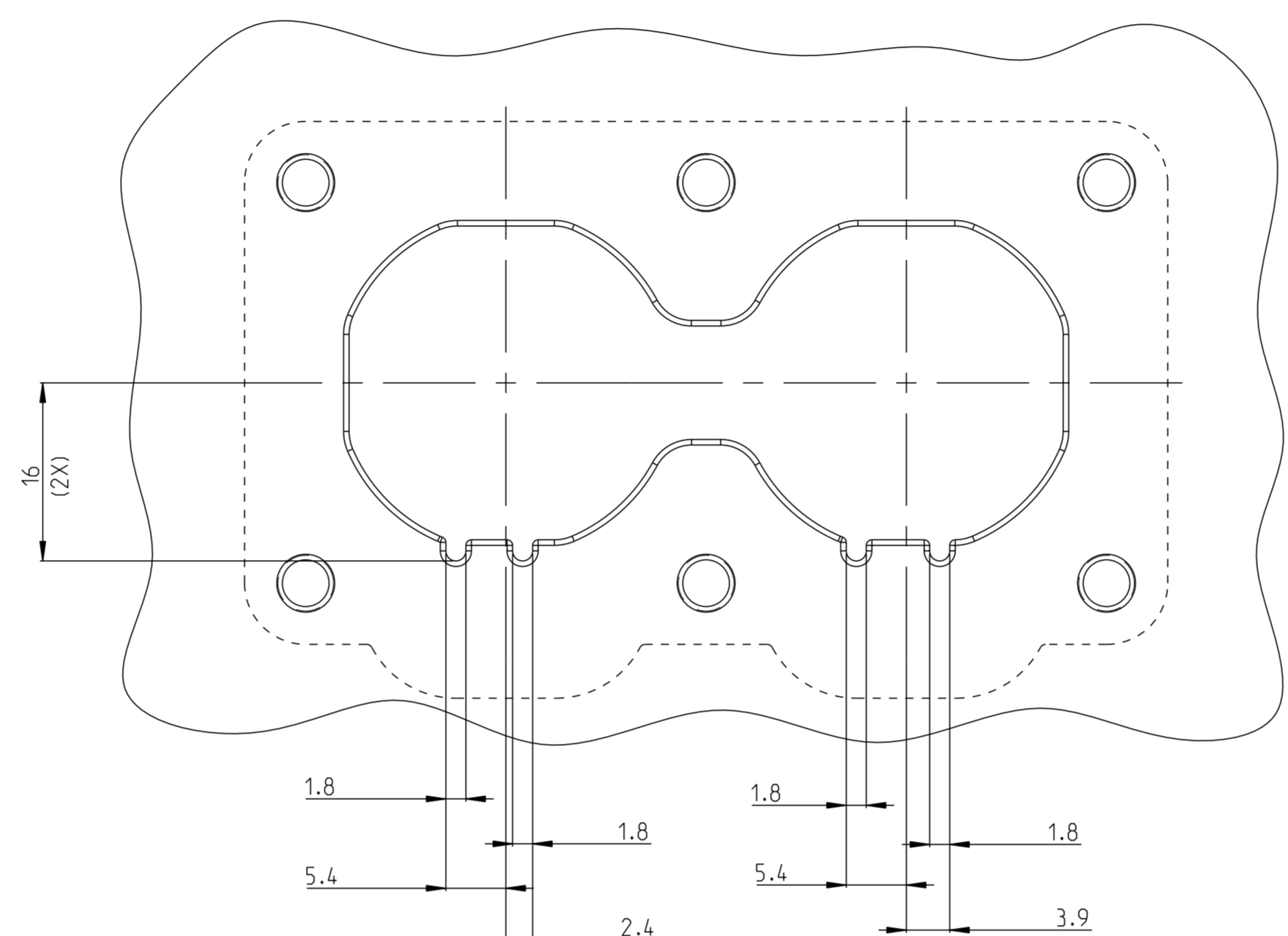
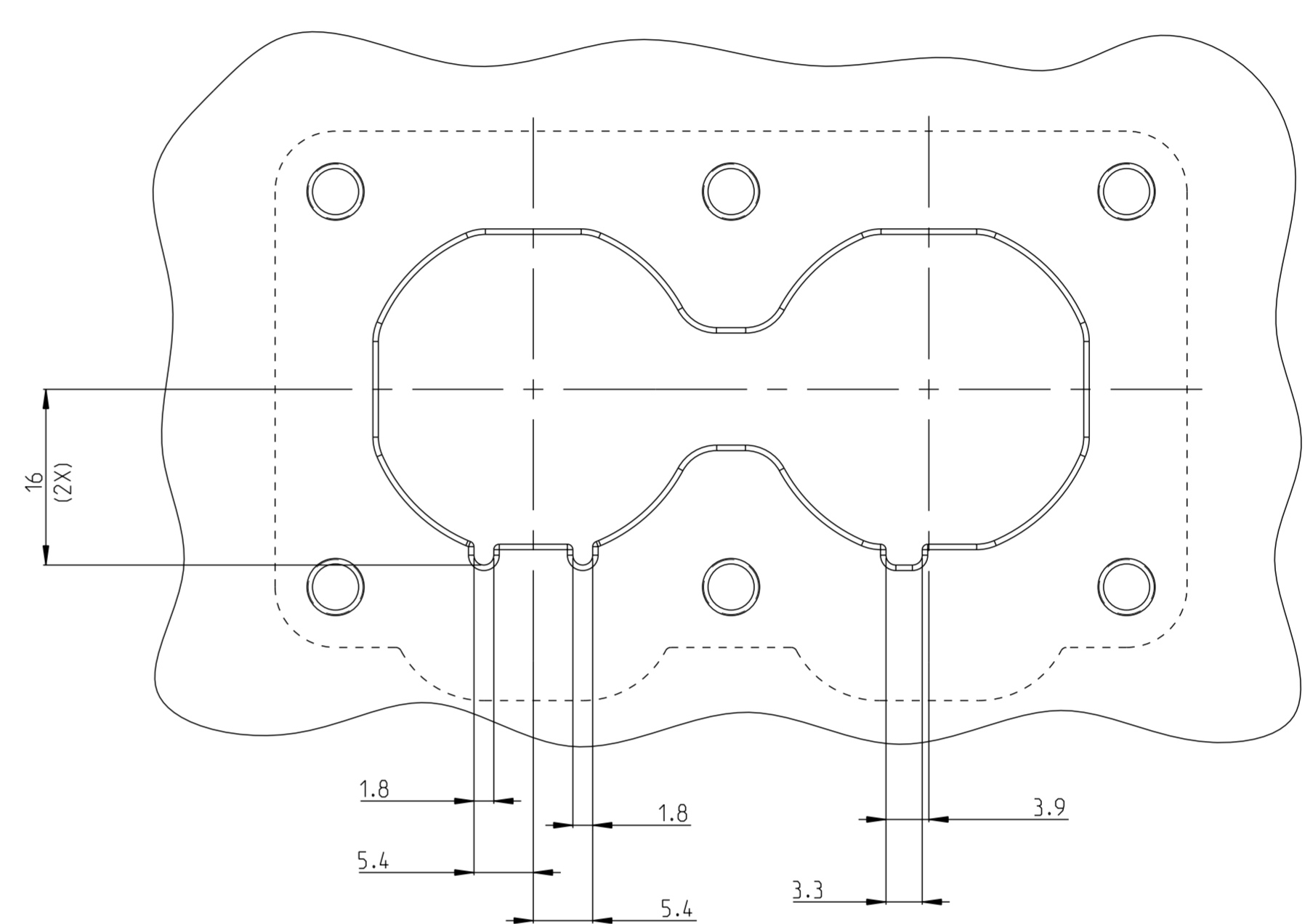
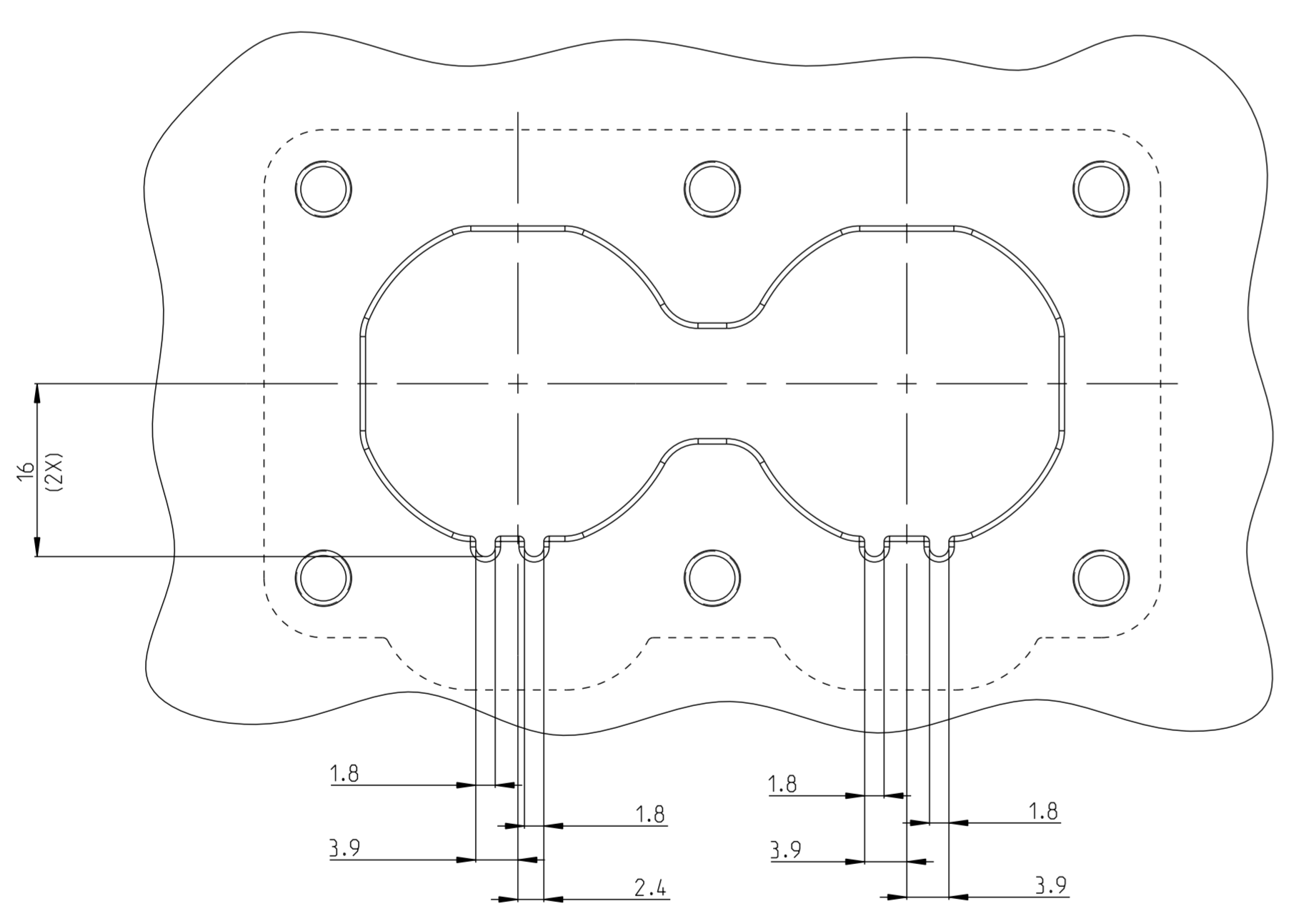
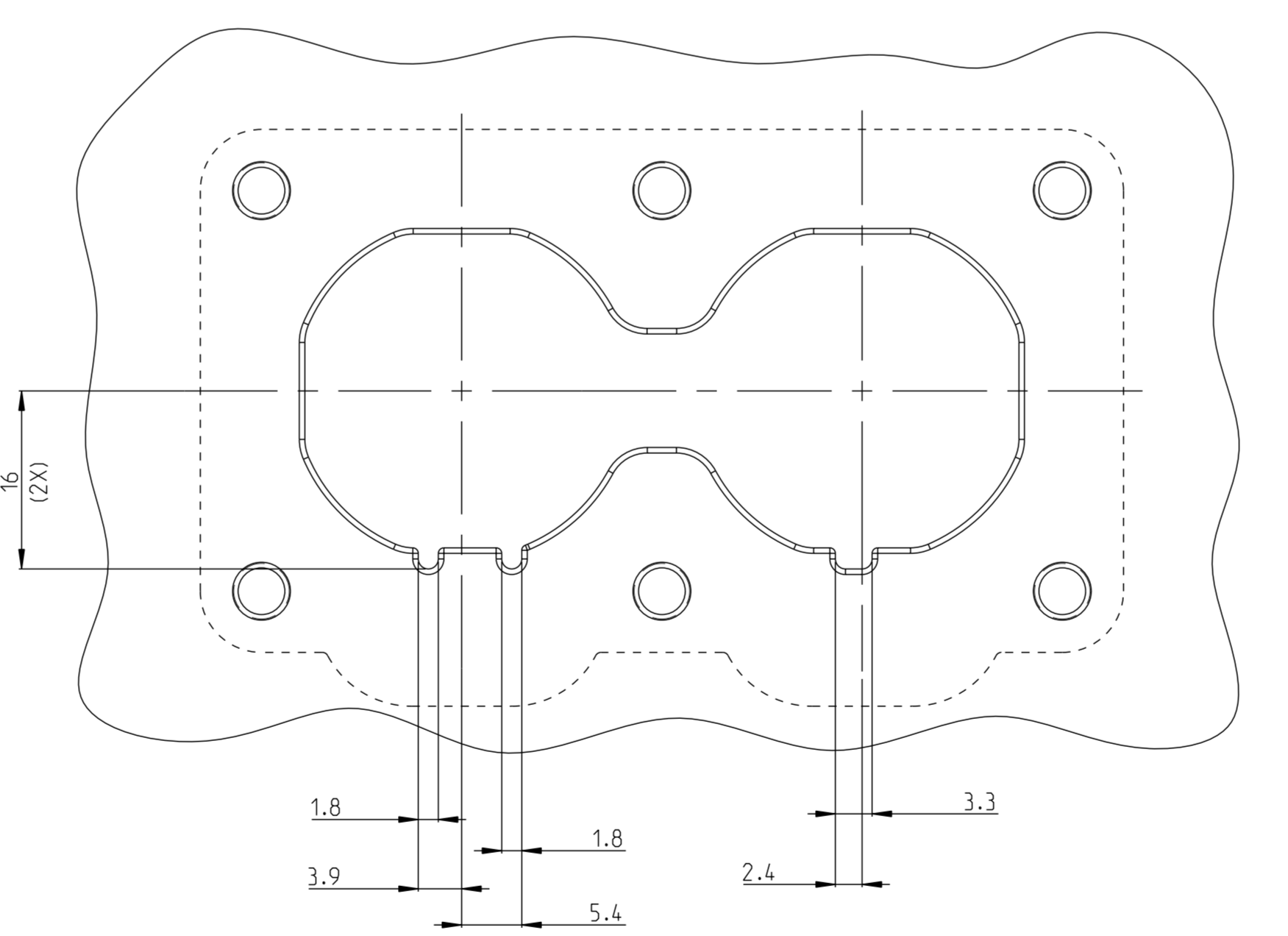
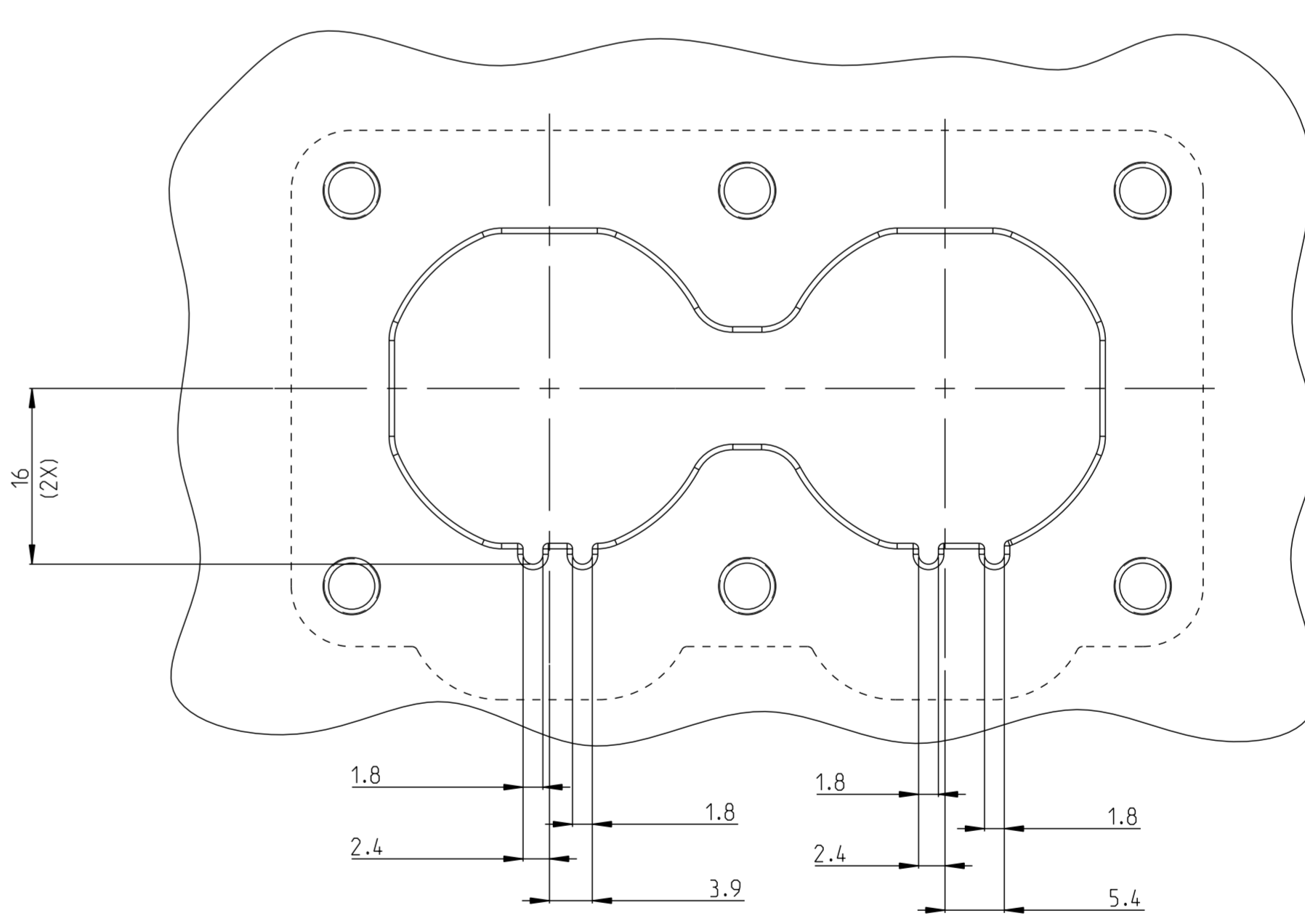
114-160181

00779


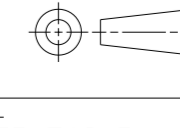
SCALE 2:1 SHEET 3 OF 4

printed on 08/26/2021 09:05 (Chip) Standard Time from 1648995

REVISIONS			
REV	DATE	BY	APPV
-	SEE SHEET 1	-	-

TABLE 5					
*-1		*-2		*-3	
CODE A	CODE B	CODE C	CODE D	CODE E	CODE F
					
CODE G	CODE H	CODE J	CODE K	CODE L	CODE M
					

1. MISSING DIMENSIONS FOR CODING ACC. DRAWING 2394070

THIS DRAWING IS A CONTROLLED DOCUMENT.		REV: 11	DATE: 26AUG2021	 TE Connectivity
DIMENSIONS: DIMS		CHK: L.L.	DATE: 26AUG2021	
 DIMS: 1.0000 2.0000 3.0000 4.0000 5.0000 6.0000 7.0000 8.0000 9.0000 10.0000 11.0000 12.0000 13.0000 14.0000 15.0000 16.0000 17.0000 18.0000 19.0000 20.0000 21.0000 22.0000 23.0000 24.0000 25.0000 26.0000 27.0000 28.0000 29.0000 30.0000 31.0000 32.0000 33.0000 34.0000 35.0000 36.0000 37.0000 38.0000 39.0000 40.0000 41.0000 42.0000 43.0000 44.0000 45.0000 46.0000 47.0000 48.0000 49.0000 50.0000 51.0000 52.0000 53.0000 54.0000 55.0000 56.0000 57.0000 58.0000 59.0000 60.0000 61.0000 62.0000 63.0000 64.0000 65.0000 66.0000 67.0000 68.0000 69.0000 70.0000 71.0000 72.0000 73.0000 74.0000 75.0000 76.0000 77.0000 78.0000 79.0000 80.0000 81.0000 82.0000 83.0000 84.0000 85.0000 86.0000 87.0000 88.0000 89.0000 90.0000 91.0000 92.0000 93.0000 94.0000 95.0000 96.0000 97.0000 98.0000 99.0000 100.0000		NAME: 2POS. PIN DIA 10.0 HDR ASSY.90DEG HVP-HD1000 PRODUCT SPEC: 108-160341 APPLICATION SPEC: 114-160181	SIZE: A0 CASE CODE: 00779 DRAWING NO: 2394071	
MATERIAL: SEE TABLE		WEIGHT: SEE TABLE		SCALE: 2:1 SHEET: 4 of 4 REV: A3

printed on 08/26/2021 10:05:00 AM (Printed Time: 10:05:00 AM)