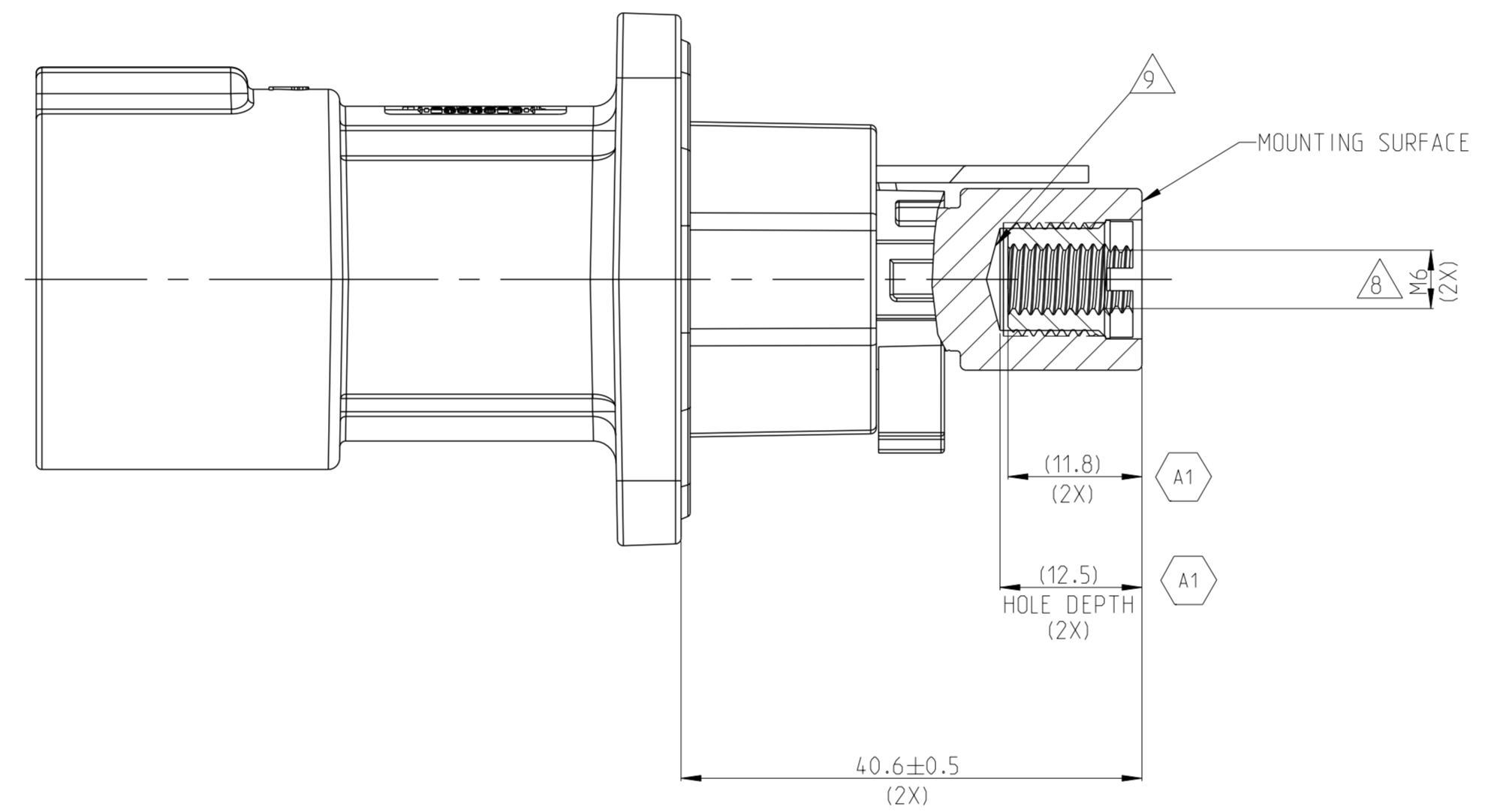
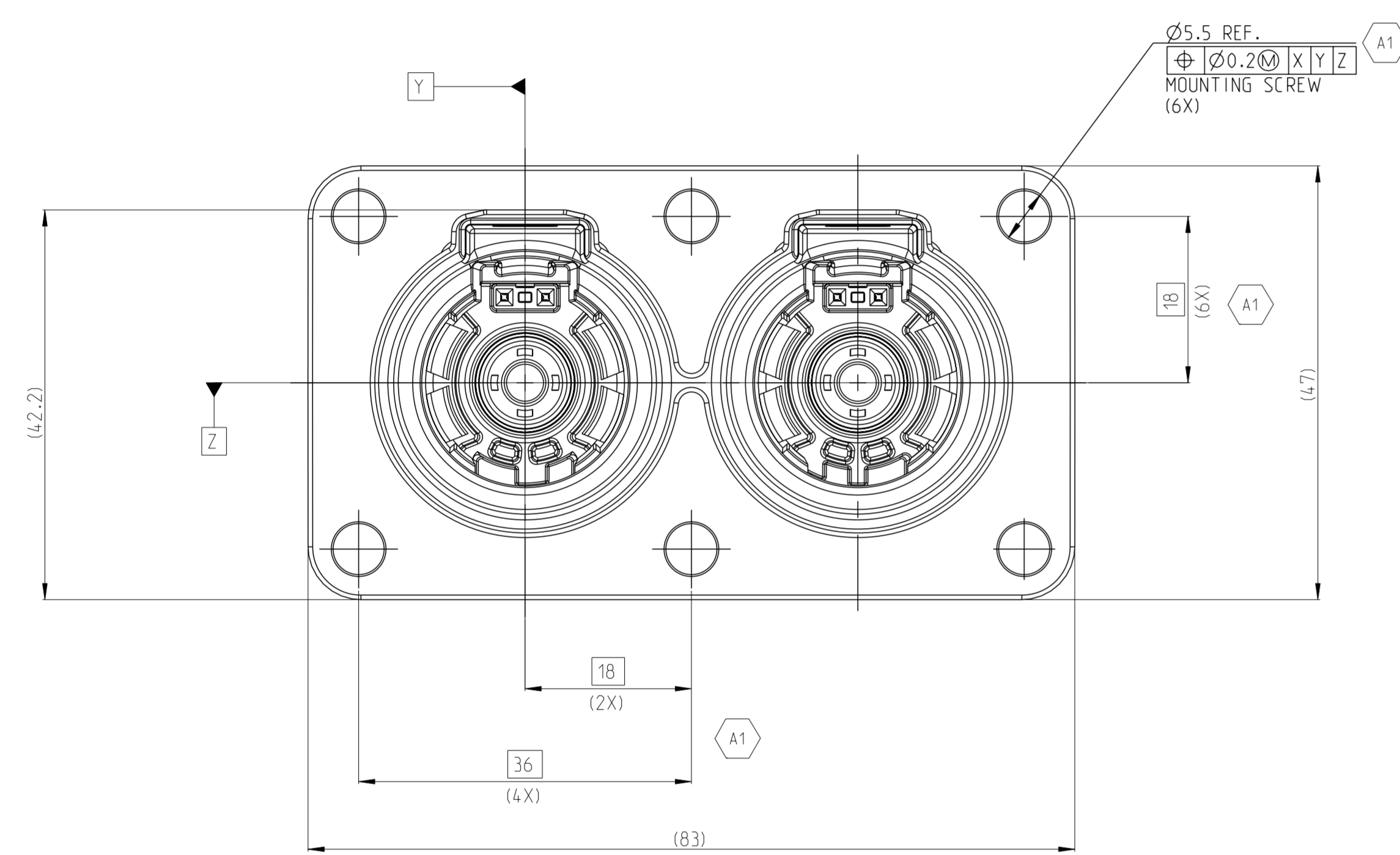
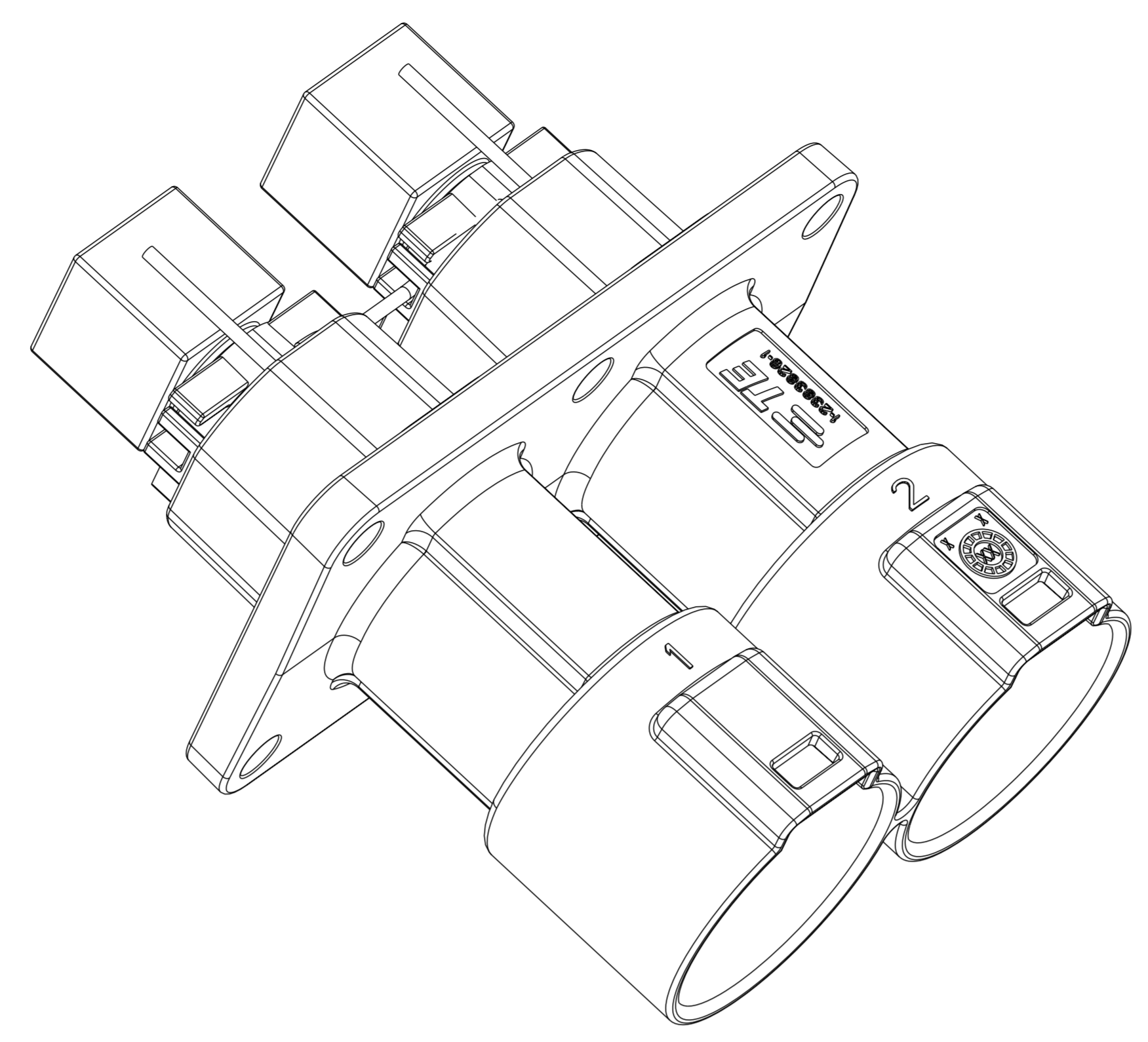
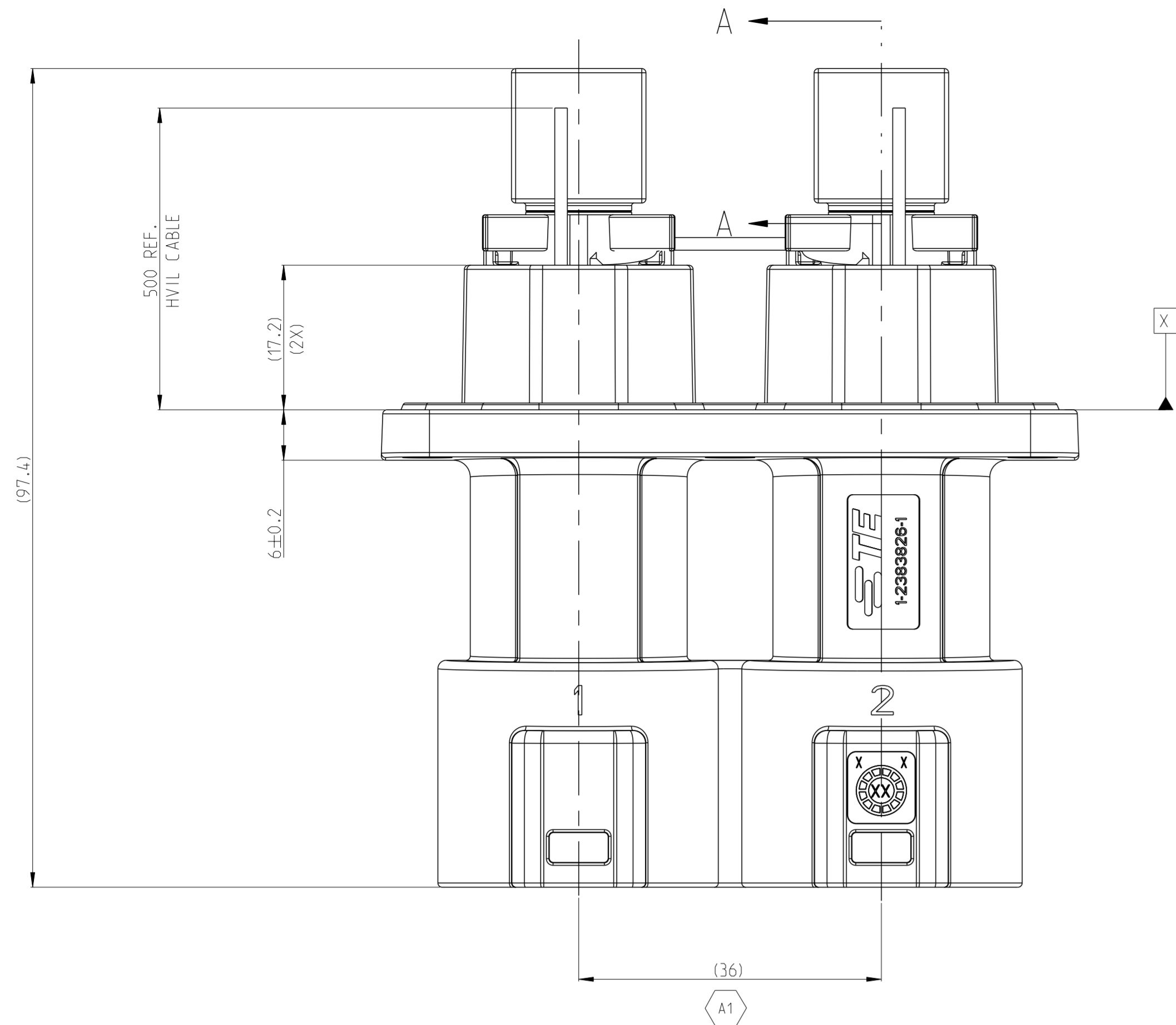
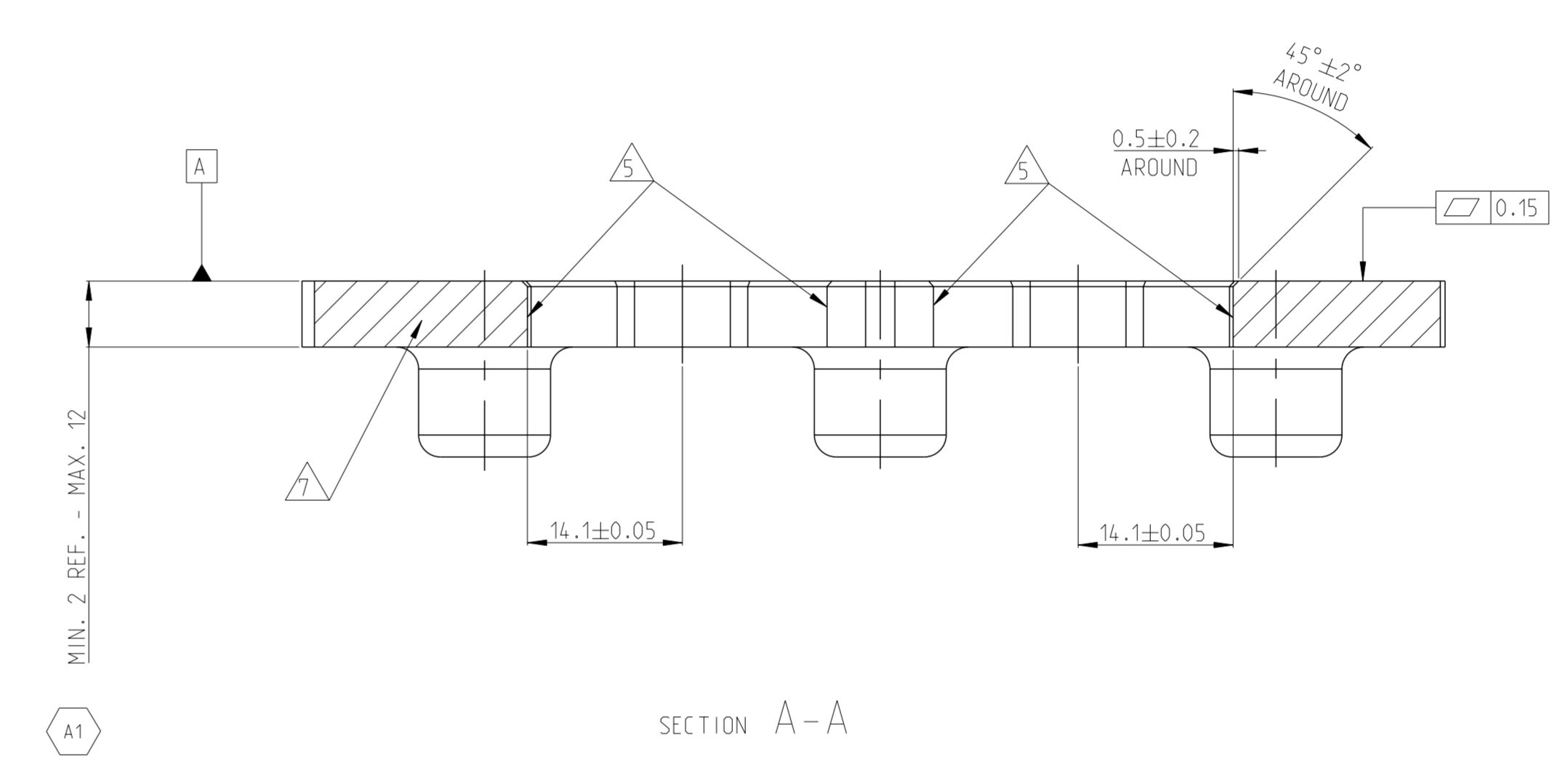
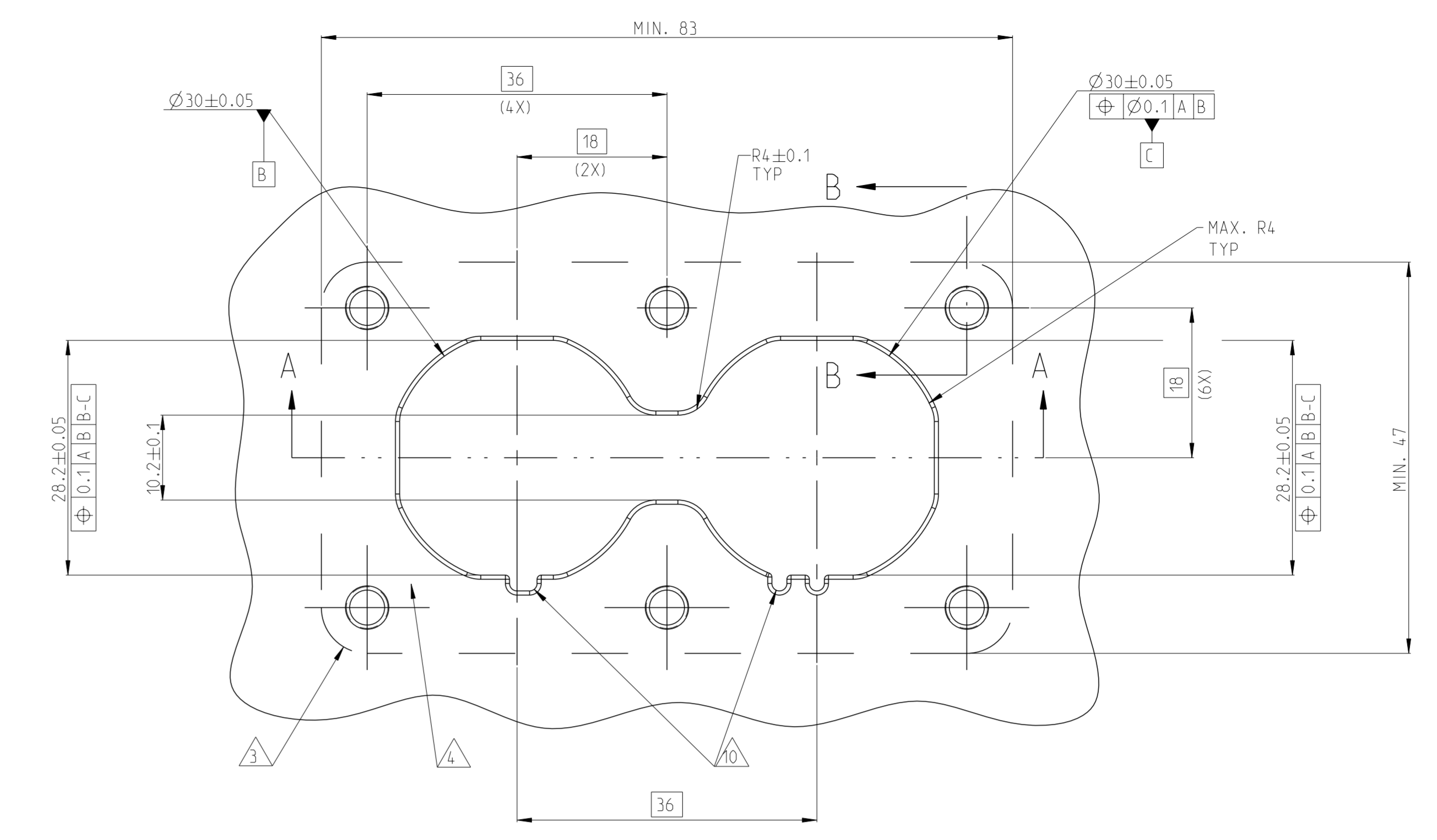


REVISIONS			
REV	DESCRIPTION	DATE	BY
A	INITIAL DRAWING	30AUG2021	P.L.
A1	REVISE	07MAY2022	C.C.

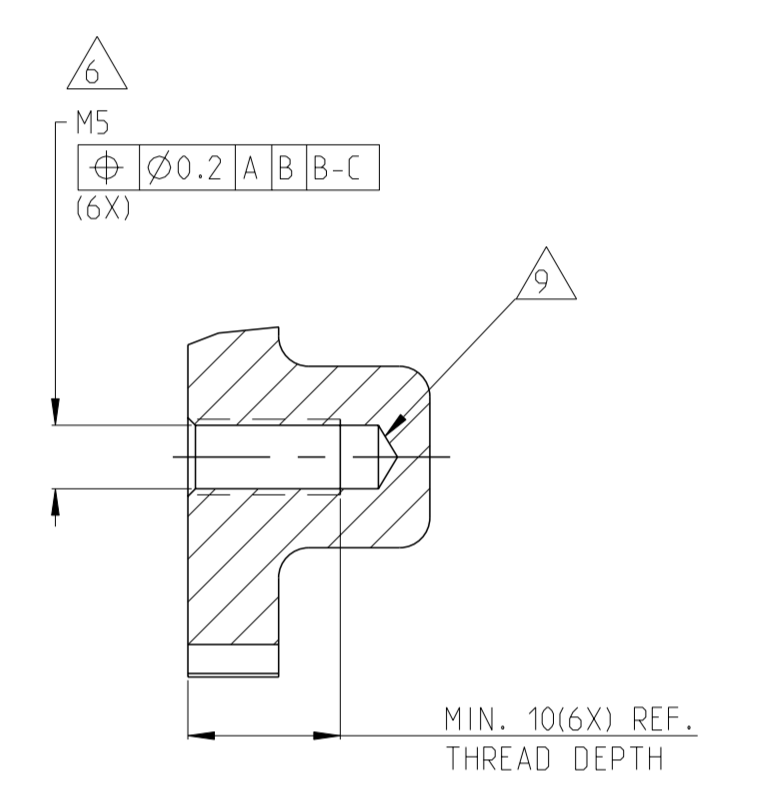


SECTION A-A

ADAPTER PLATE - HVP-HD1000 2POS HEADER INTERFACE

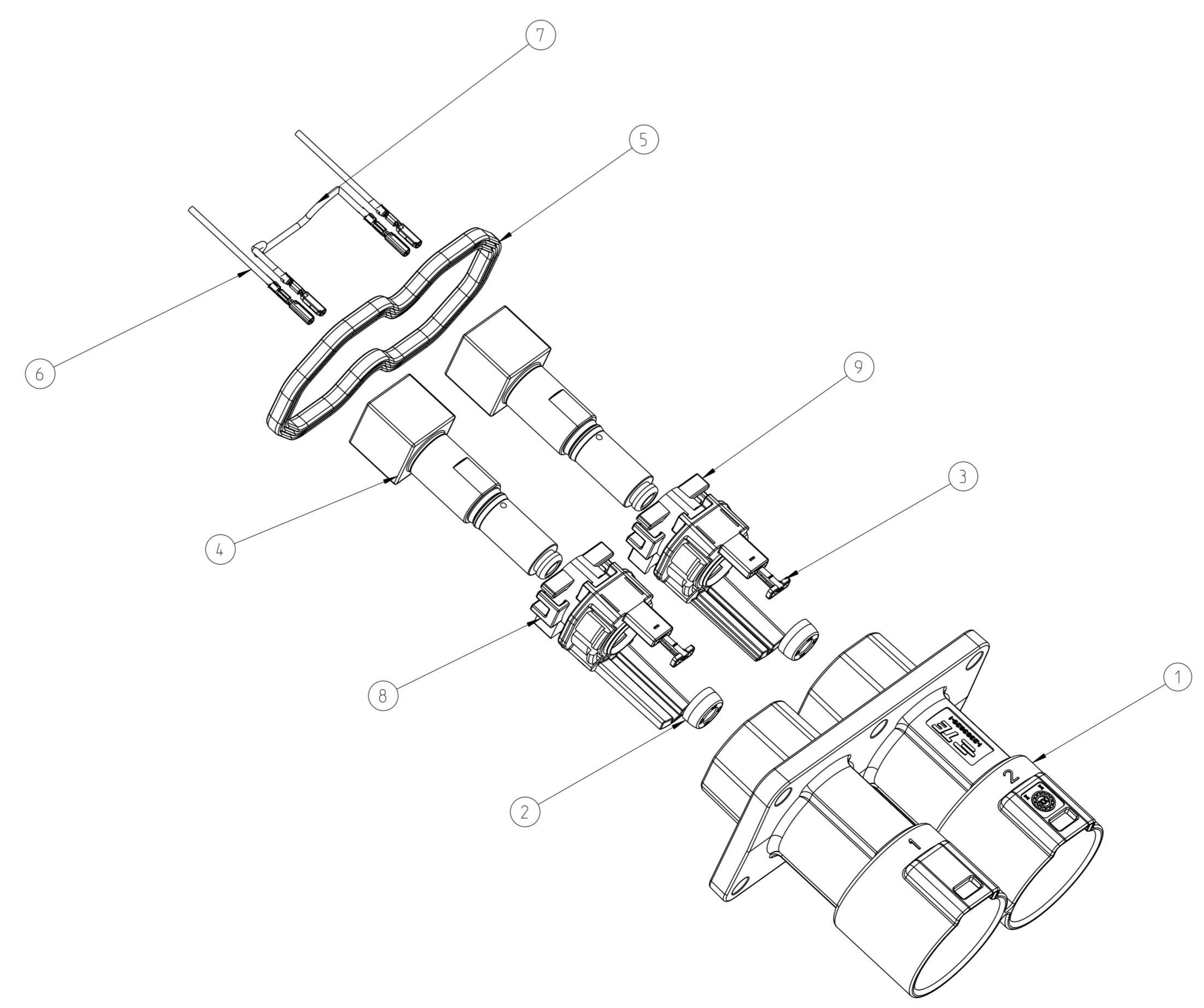


SECTION A-A



SECTION B-B

TE-ASSY-NO.	CODE	DESCRIPTION	DESCRIPTION	CODE	MATERIAL	SURFACE COLOR	WEIGHT (g)	QTY	ITEM	
2-2394061-6	L/M	2POS.PIN DIA 10.0 HDR ASSY.180DEG	CODE HOUSING	M	PA66-GF	AQUA RED	1	9		
			CODE HOUSING	L	PA66-GF	AQUA BROWN	(275)	1	8	
			FOLLOW	2-2394061-1	-	-	-	-	1-7	
2-2394061-5	J/K	2POS.PIN DIA 10.0 HDR ASSY.180DEG	CODE HOUSING	K	PA66-GF	AQUA GREEN	1	9		
			CODE HOUSING	J	PA66-GF	ORANGE	(275)	1	8	
			FOLLOW	2-2394061-1	-	-	-	-	1-7	
2-2394061-4	G/H	2POS.PIN DIA 10.0 HDR ASSY.180DEG	CODE HOUSING	H	PA66-GF	YELLOW	1	9		
			CODE HOUSING	G	PA66-GF	RED	(275)	1	8	
			FOLLOW	2-2394061-1	-	-	-	-	1-7	
2-2394061-3	E/F	2POS.PIN DIA 10.0 HDR ASSY.180DEG	CODE HOUSING	F	PA66-GF	BROWN	1	9		
			CODE HOUSING	E	PA66-GF	GREEN	(275)	1	8	
			FOLLOW	2-2394061-1	-	-	-	-	1-7	
2-2394061-2	C/D	2POS.PIN DIA 10.0 HDR ASSY.180DEG	CODE HOUSING	D	PA66-GF	PURPLE	1	9		
			CODE HOUSING	C	PA66-GF	BLUE	(275)	1	8	
			FOLLOW	2-2394061-1	-	-	-	-	1-7	
2-2394061-1	A/B	2POS.PIN DIA 10.0 HDR ASSY.180DEG	CODE HOUSING	B	PA66-GF	NATURE	1	9		
			CODE HOUSING	A	PA66-GF	BLACK	1	8		
			HV INTERLOCK TERMINAL WIRE 2	-	-	-	1	7		
			HV INTERLOCK TERMINAL WIRE 1	-	-	-	2	6		
			FACE SEAL	-	SILICONE	RED	1	5		
			BUSBAR TOP SIDE	-	COPPER	Ag PLATED	2	4		
			HEADER TPA	-	PA66-GF	RED	2	3		
			FINGER PROTECTION CAP	-	PA66-GF	BLACK	2	2		
HEADER HOUSING 180DEG.2POS	-	AL-ALLOY	NICKEL PLATED	1	1					



SCALE 1:1

2--1 AS SHOWN

- 1. MATING CONNECTOR REFER TO DRAWING 2394115
- △ CODING VARIANT
- △ FREE SPACE FOR HEADER
- △ SEALING AREA NO BURR, TOOL PARTING, SHRINKAGE. CAVITIES AND GATE MARKS PERMITTED. SURFACE ROUGHNESS: Ra=1.6
- △ DRAFT ANGLE UP TO 0.5° PERMITTED
- △ MOUNTING SCREW MS. SCREW TYPE UP TO MANUFACTURER, DRILL HOLE DESIGN ACCORDING TO SCREW TYPE
- △ MATERIAL: CORROSION RESISTANT, ELECTROCONDUCTIVE
- △ SCREW INSERT M6 FOR BUSBAR CONNECTION
- △ ALL THREAD HOLES ARE BLIND HOLES
- △ INTERFACE PANEL CODE SEE SHEET 4

THIS DRAWING IS A CONTROLLED DOCUMENT.

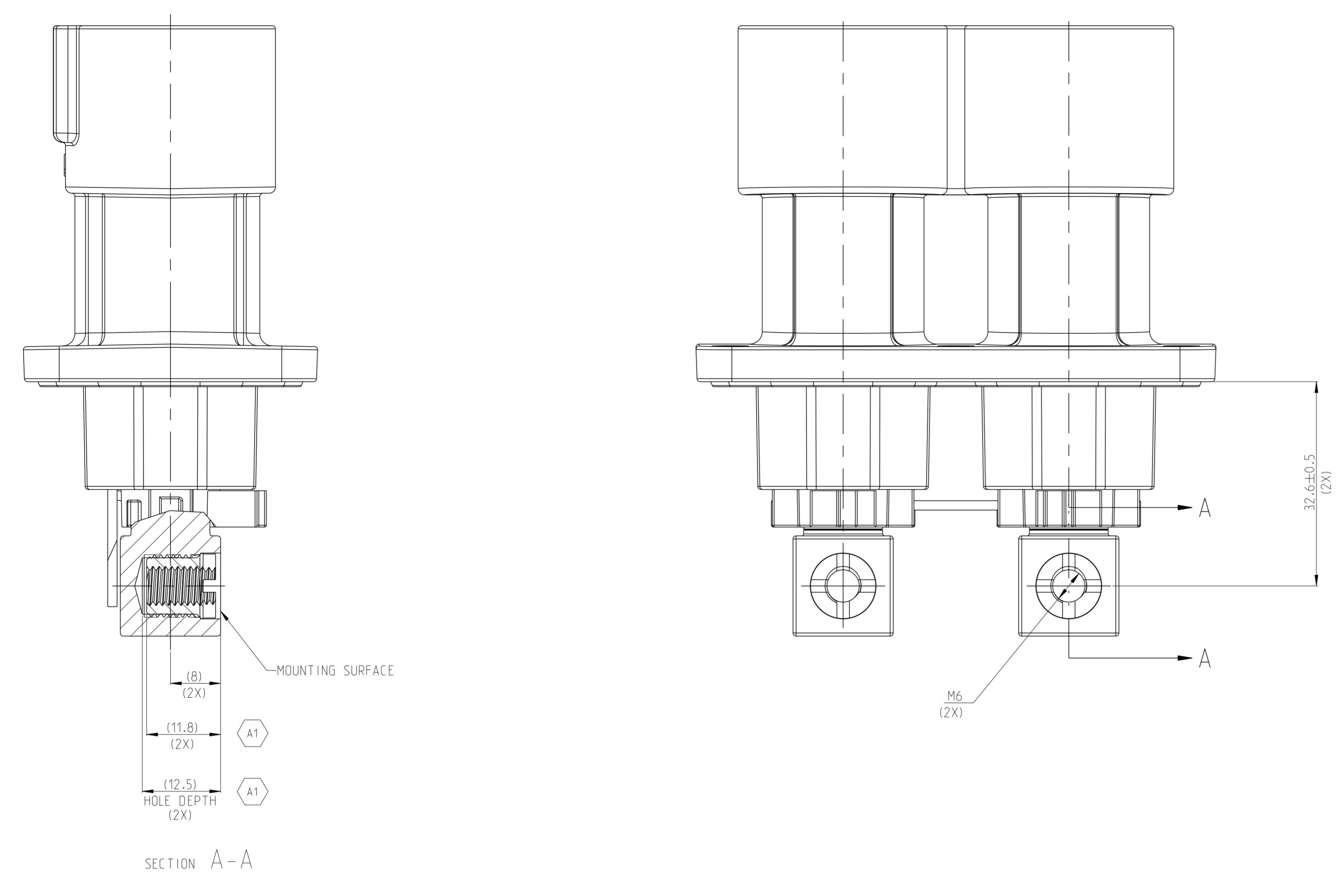
DATE: 30AUG2021	BY: P.L.	DATE: 30AUG2021	CHK: J.L.L.
DATE: 30AUG2021	BY: J.L.L.	DATE: 30AUG2021	CHK: J.L.L.

TE Connectivity

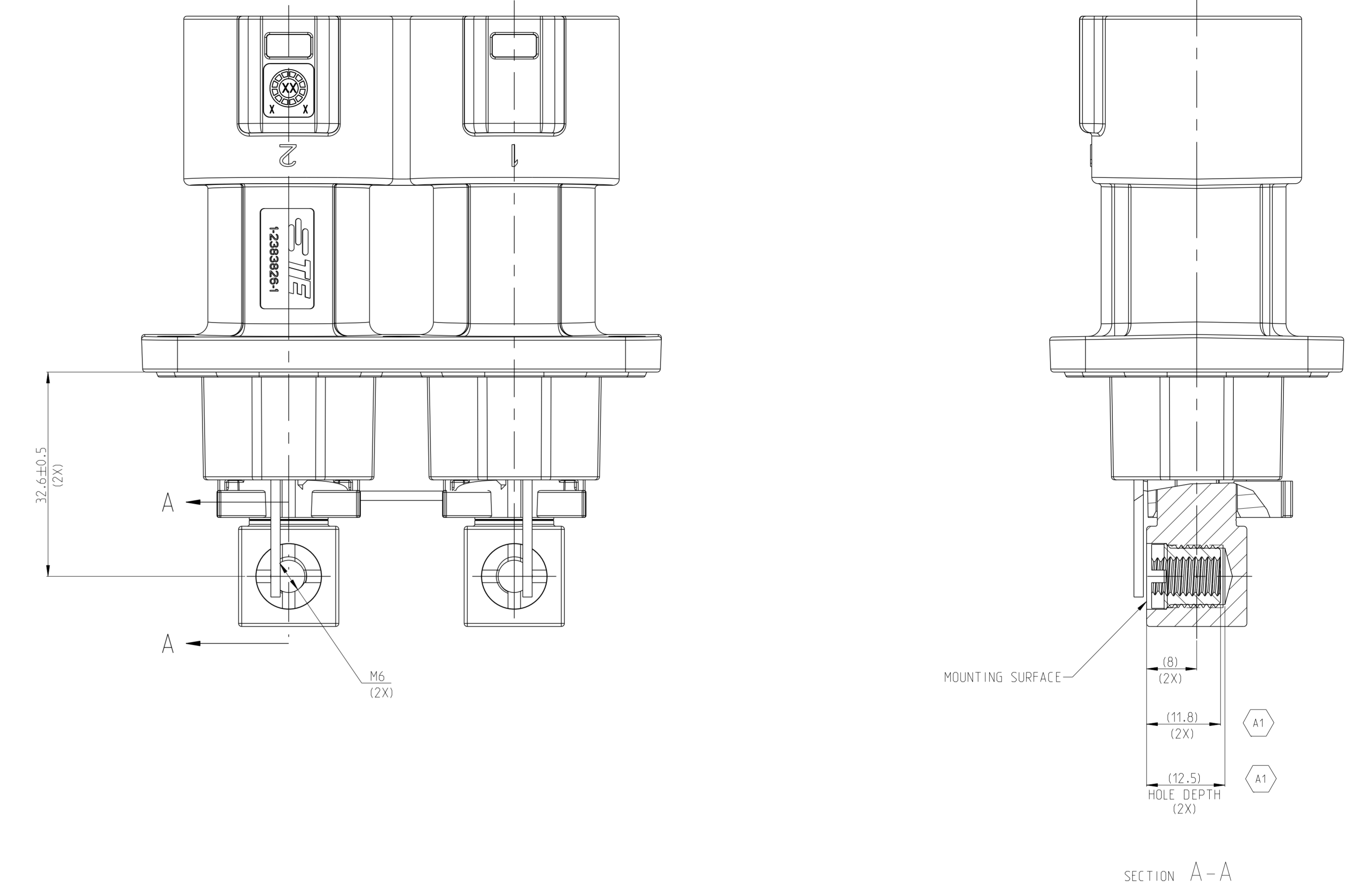
2POS.PIN DIA 10.0 HDR ASSY.180DEG  
HVP-HD1000

SCALE: 2:1 SHEET 1 OF 4

REVISIONS			
REV	DATE	BY	APPD
-	-	-	-
-	-	-	-



1. MISSING DIMENSIONS REFER TO 2-2394061-1



1. MISSING DIMENSIONS REFER TO 2-2394061-1

TE-ASSY-NO.	CODE	DESCRIPTION	DESCRIPTION	CODE	MATERIAL	SURFACE COLOR	WEIGHT (g)	QTY	ITEM
2394061-6	L/M	2POS.PIN DIA 10.0 HDR ASSY.180DEG	CODE HOUSING	M	PA66-GF	AQUA RED	(275)	1	9
			CODE HOUSING	L	PA66-GF	AQUA BROWN		1	8
			FOLLOW 2394061-1	-	-	-		-	1-7
2394061-5	J/K	2POS.PIN DIA 10.0 HDR ASSY.180DEG	CODE HOUSING	K	PA66-GF	AQUA GREEN	(275)	1	9
			CODE HOUSING	J	PA66-GF	ORANGE		1	8
			FOLLOW 2394061-1	-	-	-		-	1-7
2394061-4	G/H	2POS.PIN DIA 10.0 HDR ASSY.180DEG	CODE HOUSING	H	PA66-GF	YELLOW	(275)	1	9
			CODE HOUSING	G	PA66-GF	RED		1	8
			FOLLOW 2394061-1	-	-	-		-	1-7
2394061-3	E/F	2POS.PIN DIA 10.0 HDR ASSY.180DEG	CODE HOUSING	F	PA66-GF	BROWN	(275)	1	9
			CODE HOUSING	E	PA66-GF	GREEN		1	8
			FOLLOW 2394061-1	-	-	-		-	1-7
2394061-2	C/D	2POS.PIN DIA 10.0 HDR ASSY.180DEG	CODE HOUSING	D	PA66-GF	PURPLE	(275)	1	9
			CODE HOUSING	C	PA66-GF	BLUE		1	8
			FOLLOW 2394061-1	-	-	-		-	1-7
2394061-1	A/B	2POS.PIN DIA 10.0 HDR ASSY.180DEG	CODE HOUSING	B	PA66-GF	NATURE	(275)	1	9
			CODE HOUSING	A	PA66-GF	BLACK		1	8
			HV INTERLOCK TERMINAL WIRE 2	-	-	-		1	7
			HV INTERLOCK TERMINAL WIRE 1	-	-	-		2	6
			FACE SEAL	-	SILICONE	RED		1	5
			BUSBAR.FRONT SIDE	-	COPPER	AG PLATED		2	4
			HEADER TPA	-	PA66-GF	RED		2	3
			FINGER PROTECTION CAP	-	PA66-GF	BLACK		2	2
			HEADER HOUSING 180DEG.2POS	-	AL-ALLOY	NICKEL PLATED		1	1

TE-ASSY-NO.	CODE	DESCRIPTION	DESCRIPTION	CODE	MATERIAL	SURFACE COLOR	WEIGHT (g)	QTY	ITEM
1-2394061-6	L/M	2POS.PIN DIA 10.0 HDR ASSY.180DEG	CODE HOUSING	M	PA66-GF	AQUA RED	(275)	1	9
			CODE HOUSING	L	PA66-GF	AQUA BROWN		1	8
			FOLLOW 1-2394061-1	-	-	-		-	1-7
1-2394061-5	J/K	2POS.PIN DIA 10.0 HDR ASSY.180DEG	CODE HOUSING	K	PA66-GF	AQUA GREEN	(275)	1	9
			CODE HOUSING	J	PA66-GF	ORANGE		1	8
			FOLLOW 1-2394061-1	-	-	-		-	1-7
1-2394061-4	G/H	2POS.PIN DIA 10.0 HDR ASSY.180DEG	CODE HOUSING	H	PA66-GF	YELLOW	(275)	1	9
			CODE HOUSING	G	PA66-GF	RED		1	8
			FOLLOW 1-2394061-1	-	-	-		-	1-7
1-2394061-3	E/F	2POS.PIN DIA 10.0 HDR ASSY.180DEG	CODE HOUSING	F	PA66-GF	BROWN	(275)	1	9
			CODE HOUSING	E	PA66-GF	GREEN		1	8
			FOLLOW 1-2394061-1	-	-	-		-	1-7
1-2394061-2	C/D	2POS.PIN DIA 10.0 HDR ASSY.180DEG	CODE HOUSING	D	PA66-GF	PURPLE	(275)	1	9
			CODE HOUSING	C	PA66-GF	BLUE		1	8
			FOLLOW 1-2394061-1	-	-	-		-	1-7
1-2394061-1	A/B	2POS.PIN DIA 10.0 HDR ASSY.180DEG	CODE HOUSING	B	PA66-GF	NATURE	(275)	1	9
			CODE HOUSING	A	PA66-GF	BLACK		1	8
			HV INTERLOCK TERMINAL WIRE 2	-	-	-		1	7
			HV INTERLOCK TERMINAL WIRE 1	-	-	-		5	6
			FACE SEAL	-	SILICONE	RED		1	5
			BUSBAR.BACK SIDE	-	COPPER	AG PLATED		2	4
			HEADER TPA	-	PA66-GF	RED		2	3
			FINGER PROTECTION CAP	-	PA66-GF	BLACK		2	2
			HEADER HOUSING 180DEG.2POS	-	AL-ALLOY	NICKEL PLATED		1	1

THIS DRAWING IS A CONTROLLED DOCUMENT. DATE: 30AUG2021

TE Connectivity

2POS.PIN DIA 10.0 HDR ASSY.180DEG HVP-HD1000

108-160341

114-160181

00779 ©=2394061

SCALE: 2:1 SHEET 2 OF 4

REVISIONS			
REV	DATE	BY	APPD
-	-	-	-
-	-	-	-
-	-	-	-



TABLE 4

••-1		••-2		••-3	
CODE A	CODE B	CODE C	CODE D	CODE E	CODE F
CODE G	CODE H	CODE J	CODE K	CODE L	CODE M

printed on 8/10/2022 10:07:00 AM, Standard Time from 1649955

THIS DRAWING IS A CONTROLLED DOCUMENT.		DATE: 30AUG2021		TE Connectivity
DIMENSIONS: MILLIMETERS		CHK: L.L.		DATE: 30AUG2021
TOLERANCES UNLESS OTHERWISE SPECIFIED:		APPV: J.V.V.	DATE: 30AUG2021	NAME: HVP-HD1000
FRACTIONAL DECIMALS		PRODUCT SPEC		
DECIMALS		10B-160341		
HOLE POSITION		APPLICATION SPEC		
HOLE SIZE		114-160181		
MATERIAL: SEE TABLE		WEIGHT: SEE TABLE		
FINISH: SPEC 2		CUSTOMER DRAWING		
		SCALE: 2:1	SHEET: 3 of 4	REV: A.1

REVISIONS			
REV	DATE	DESCRIPTION	BY
-	-	SEE SHEET 1	-



TABLE 5

*-1		*-2		*-3	
CODE A	CODE B	CODE C	CODE D	CODE E	CODE F
*-4		*-5		*-6	
CODE G	CODE H	CODE J	CODE K	CODE L	CODE M

printed on 08/30/2022 10:07 (0110) Standard Time from 1636955

THIS DRAWING IS A CONTROLLED DOCUMENT.

DATE: 30AUG2021	BY: J.LING
DATE: 30AUG2021	CHK: L.L.
DATE: 30AUG2021	APPV: J.VIN

TE Connectivity

2POS.PIN DIA 10.0 HDR ASSY.180DEG  
HVP-HD1000

108-160341  
APPLICATION SPEC: 114-160181

SCALE: 2:1 SHEET 4 OF 4