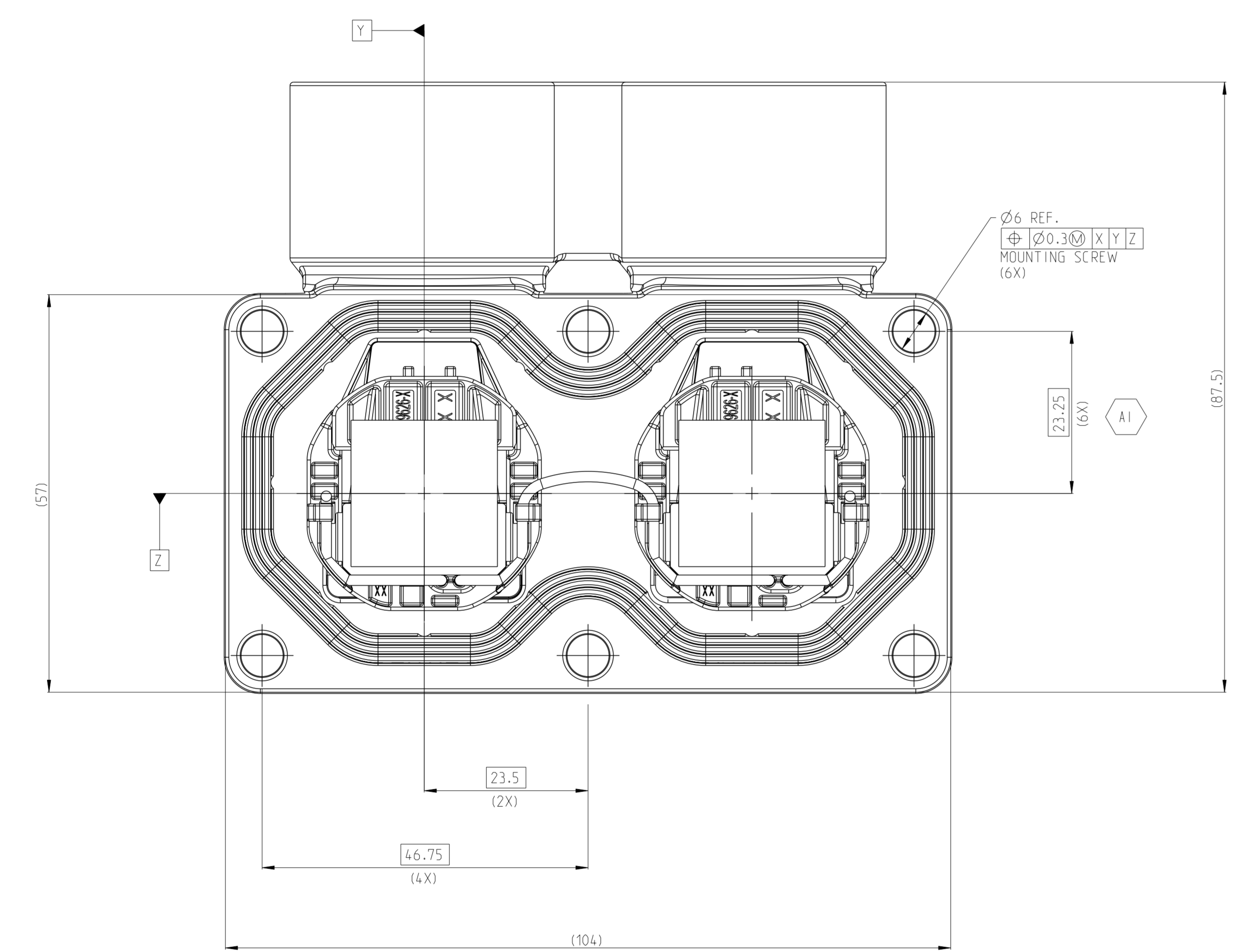
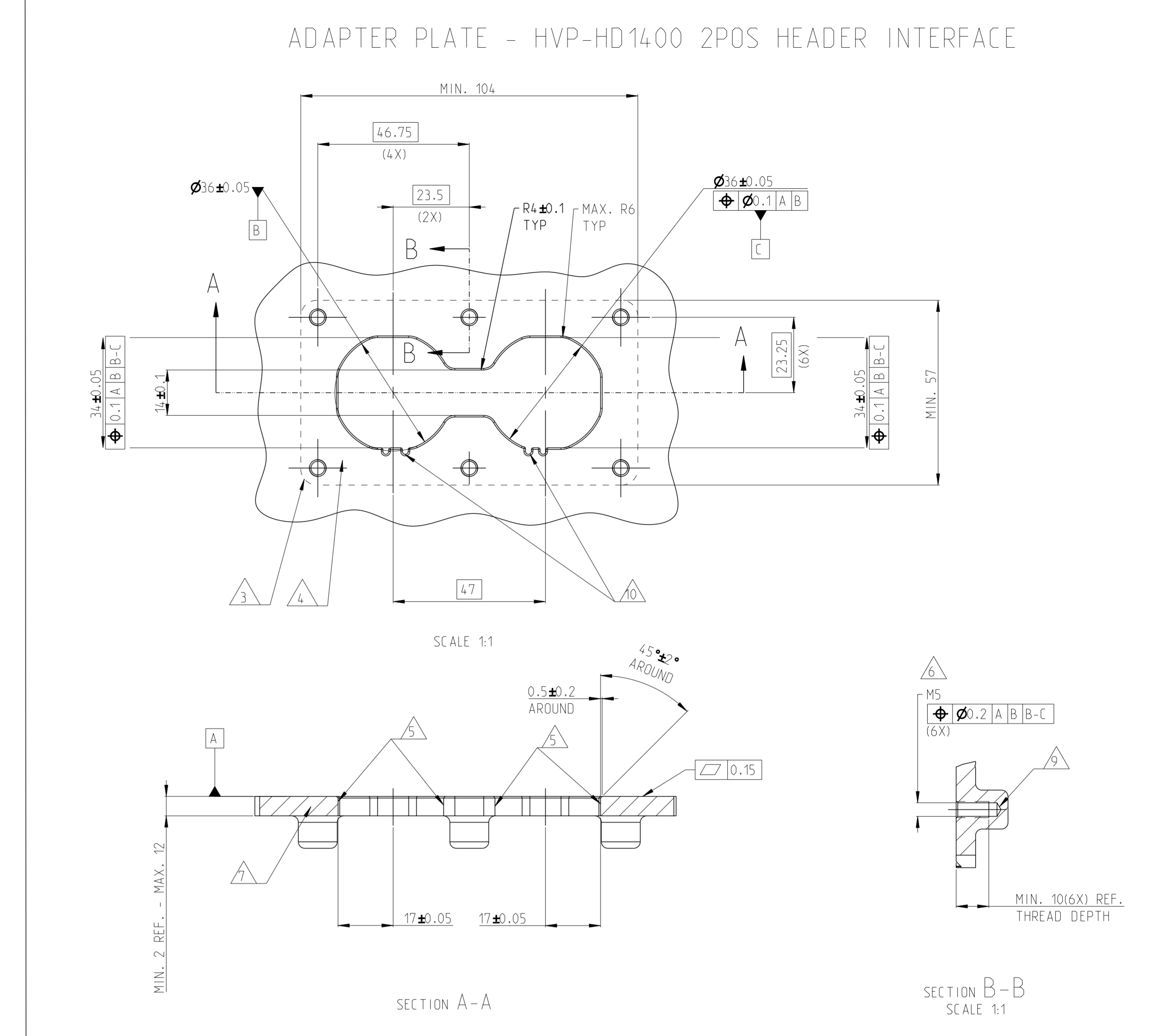
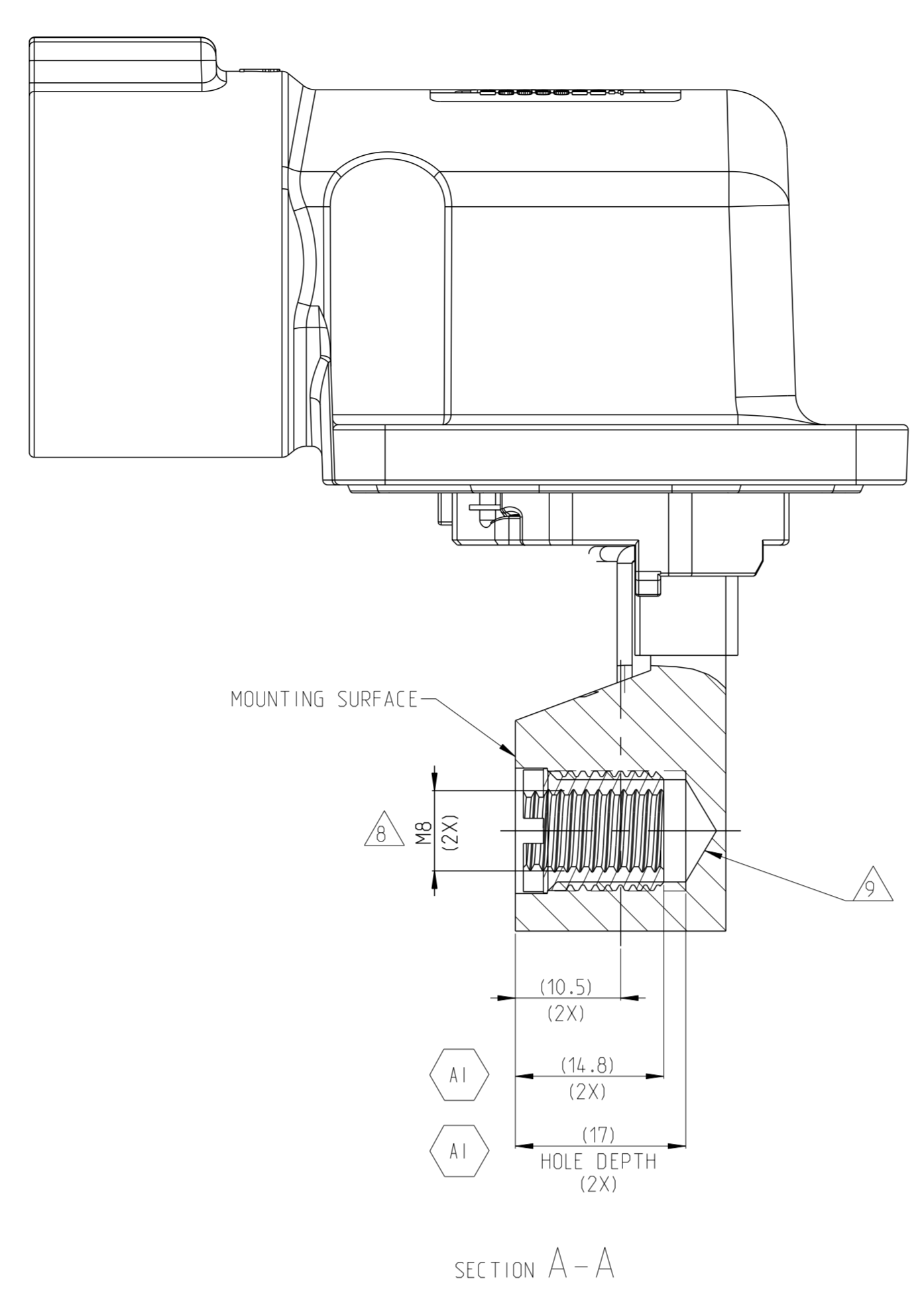
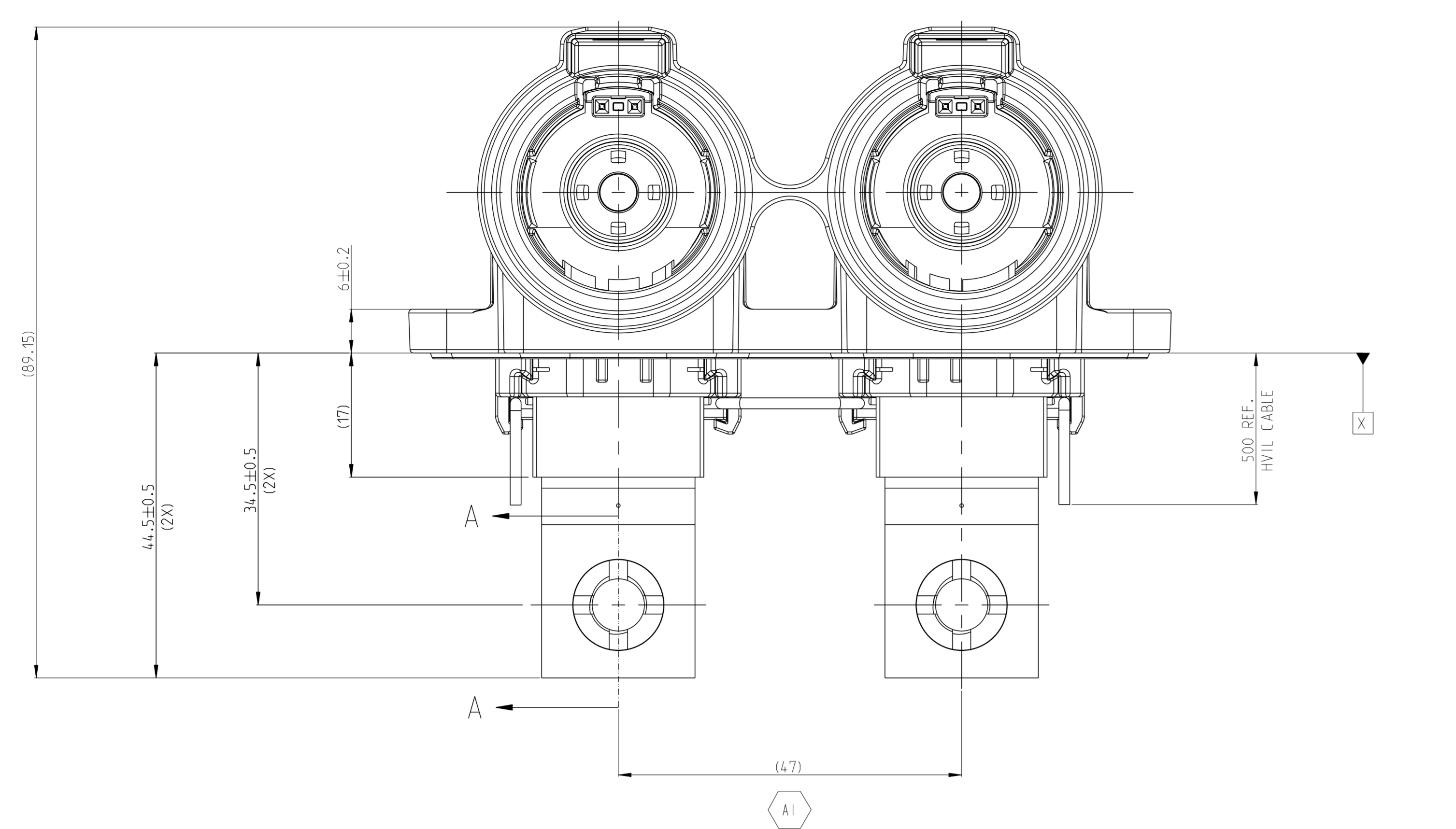
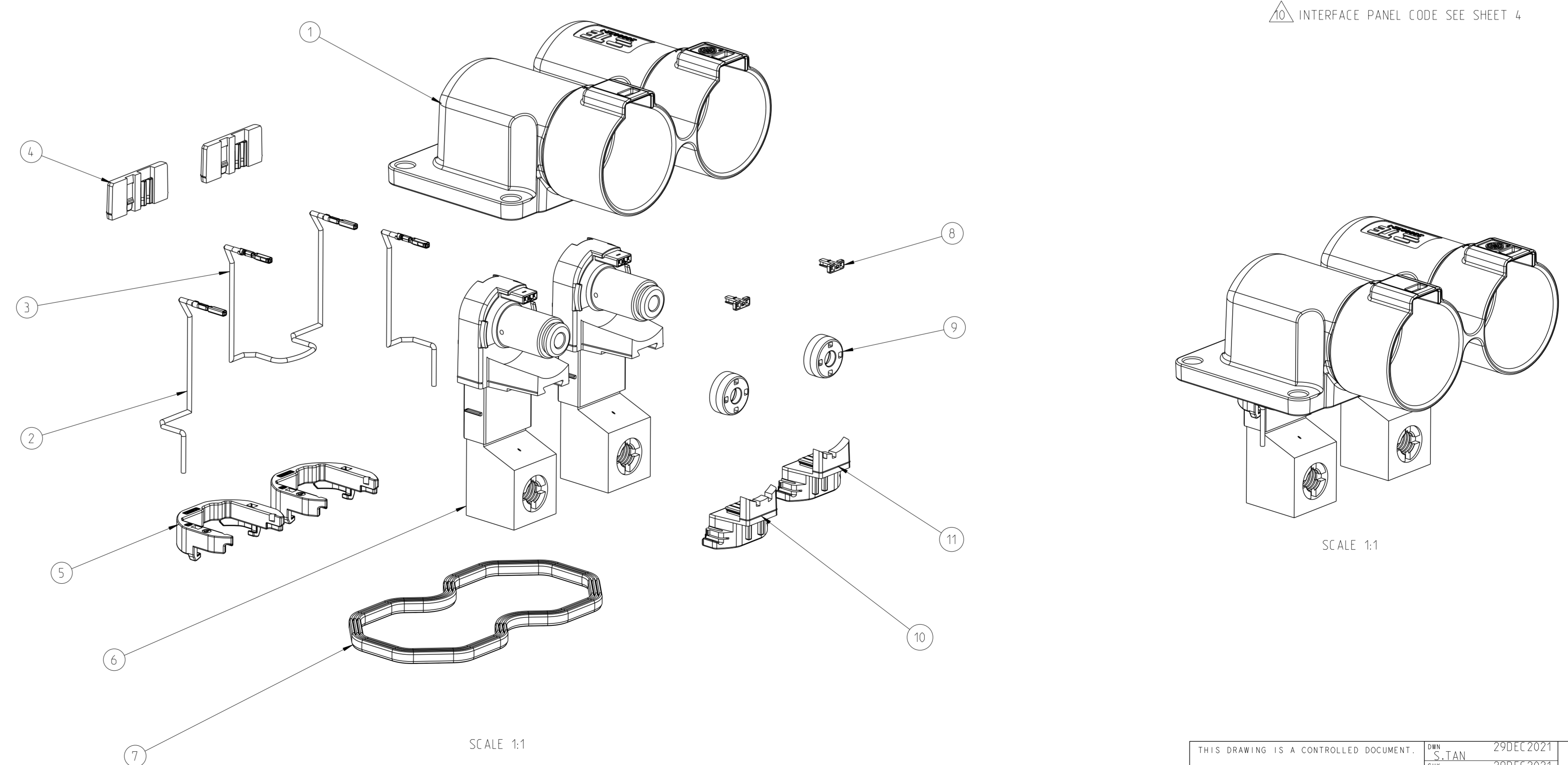


REVISIONS			
REV	DATE	BY	APPV
A1	ECR-22-13644Z	MAR0202	S.T. Z.Z



1. MATING CONNECTOR REFER TO DRAWING 2400957
- △ CODING VARIANT
- △ FREE SPACE FOR HEADER
- △ SEALING AREA NO BURR, TOOL PARTING, SHRINKAGE. CAVITIES AND GATE MARKS PERMITTED. SURFACE ROUGHNESS: Ra=1.6
- △ DRAFT ANGLE UP TO 0.5° PERMITTED
- △ MOUNTING SCREW MS. SCREW TYPE UP TO MANUFACTURER, DRILL HOLE DESIGN ACCORDING TO SCREW TYPE
- △ MATERIAL CORROSION RESISTANT, ELECTROCONDUCTIVE
- △ SCREW M8 FOR BUSBAR CONNECTION
- △ ALL THREAD HOLES ARE BLIND HOLES
- △ INTERFACE PANEL CODE SEE SHEET 4

TE-ASSY-NO	CODE	DESCRIPTION	DESCRIPTION	CODE	MATERIAL	SURFACE COLOR	WEIGHT (g)	QTY	ITEM
2399610-6	L/M	2POS.PIN DIA 14.0 HDR ASSY.90DEG	CODE HOUSING	M	PA66-GF	AQUA RED	(625)	1	11
			CODE HOUSING	L	PA66-GF	AQUA BROWN		1	10
			FOLLOW 2399610-1	-	-	-		-	1-9
2399610-5	J/K	2POS.PIN DIA 14.0 HDR ASSY.90DEG	CODE HOUSING	K	PA66-GF	AQUA GREEN	(625)	1	11
			CODE HOUSING	J	PA66-GF	DRANGE		1	10
			FOLLOW 2399610-1	-	-	-		-	1-9
2399610-4	G/H	2POS.PIN DIA 14.0 HDR ASSY.90DEG	CODE HOUSING	H	PA66-GF	YELLOW	(625)	1	11
			CODE HOUSING	G	PA66-GF	RED		1	10
			FOLLOW 2399610-1	-	-	-		-	1-9
2399610-3	E/F	2POS.PIN DIA 14.0 HDR ASSY.90DEG	CODE HOUSING	F	PA66-GF	BROWN	(625)	1	11
			CODE HOUSING	E	PA66-GF	GREEN		1	10
			FOLLOW 2399610-1	-	-	-		-	1-9
2399610-2	C/D	2POS.PIN DIA 14.0 HDR ASSY.90DEG	CODE HOUSING	D	PA66-GF	PURPLE	(625)	1	11
			CODE HOUSING	C	PA66-GF	BLUE		1	10
			FOLLOW 2399610-1	-	-	-		-	1-9
2399610-1	A/B	2POS.PIN DIA 14.0 HDR ASSY.90DEG	CODE HOUSING	B	PA66-GF	NATURE	(625)	1	11
			CODE HOUSING	A	PA66-GF	BLACK		1	10
			HEADER TPA	-	PA66-GF	RED		2	9
			FINGER PROTECTION CAP	-	PA66-GF	BLACK		2	8
			FACE SEAL	-	SILICONE	RED		1	7
			BUSBAR OVERMOLD, FRONT SIDE	-	-	-		2	6
			OUTER HOUSING	-	PA66-GF	BLACK		2	5
			INNER HOUSING	-	PA66-GF	BLACK		2	4
			HV INTERLOCK CABLE, BRIDGED	-	-	-		1	3
			HV INTERLOCK CABLE	-	-	-		2	2
			HEADER HOUSING, 90DEG, 2POS	-	AL-ALLOY	NICKEL PLATED		1	1



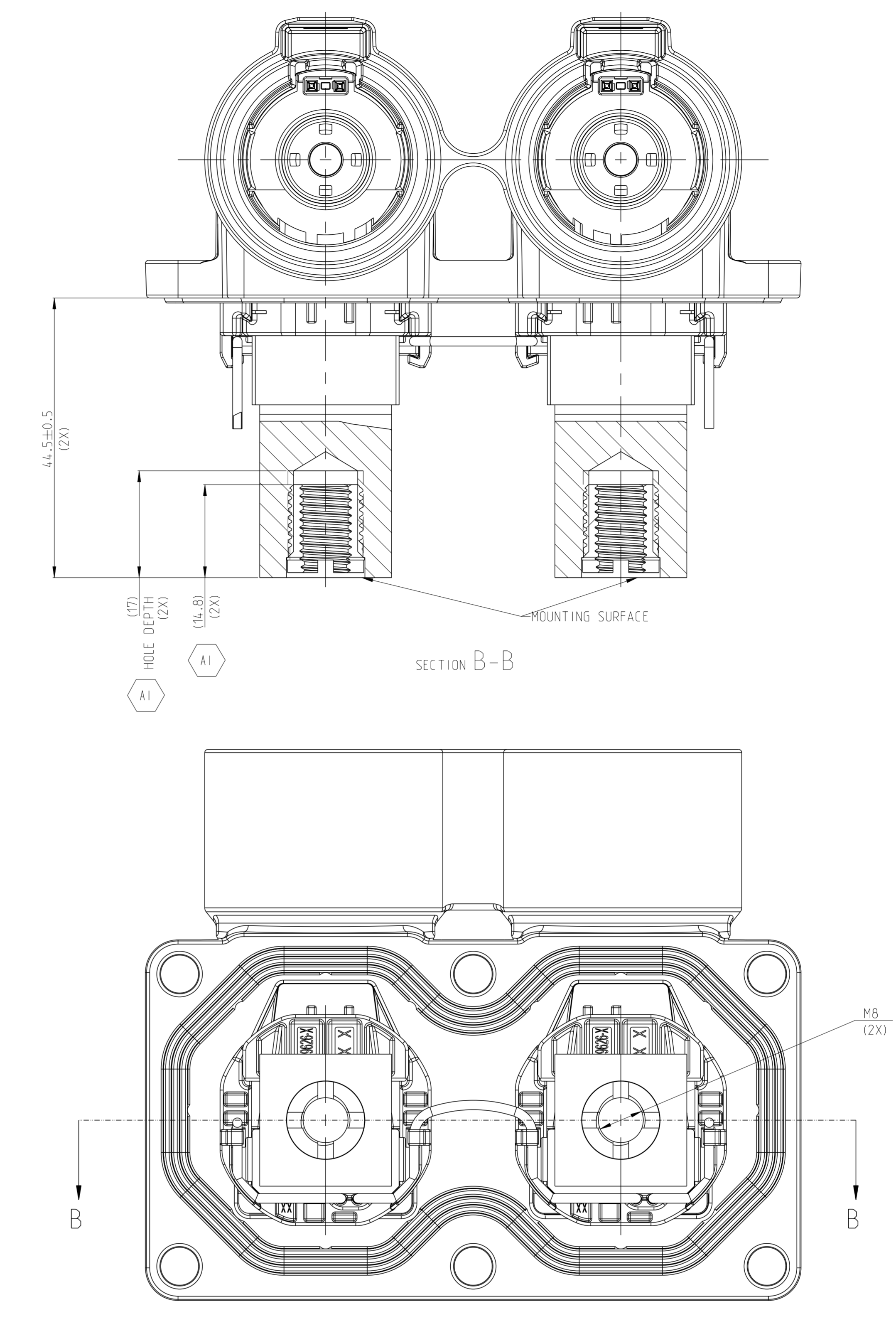
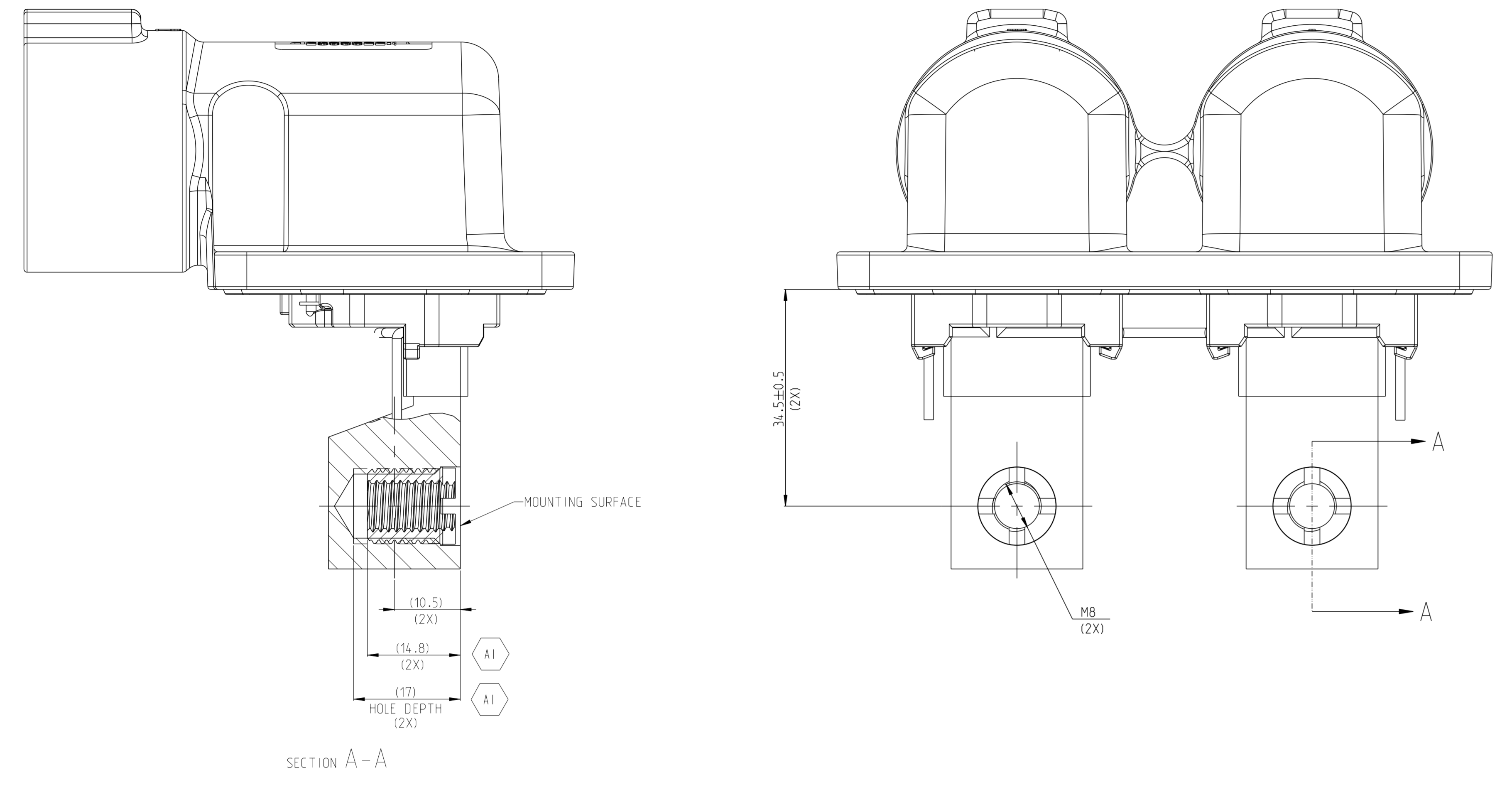
THIS DRAWING IS A CONTROLLED DOCUMENT. DATE: 29DEC2021. DRAWN BY: S.TAN. CHECKED BY: J.L.L. APPROVED BY: J.L.VIN. PRODUCT SPEC: 108-160407. APPLICATION SPEC: 114-160222. WEIGHT: SEE TABLE. CUSTOMER DRAWING.

STE TE Connectivity

2POS.PIN DIA 14.0.HDR ASSY.90DEG HVP-HD1400

SCALE: 2:1 SHEET 1 OF 4 REV: A1

REVISIONS			
REV	DATE	BY	APP'D
-	SEE SHEET 1	-	-



1. MISSING DIMENSIONS ACC. TO 2399610-1

TE-ASSY-NO	CODE	DESCRIPTION	DESCRIPTION	CODE	MATERIAL	SURFACE COLOR	WEIGHT (g)	QTY	ITEM
1-2399610-6	L/M	2POS,PIN DIA 14.0 HDR ASSY.90DEG	CODE HOUSING	M	PA66-GF	AQUA RED	(625)	1	11
			CODE HOUSING	L	PA66-GF	AQUA BROWN		1	10
			FOLLOW 1-2399610-1	-	-	-		-	1-9
1-2399610-5	J/K	2POS,PIN DIA 14.0 HDR ASSY.90DEG	CODE HOUSING	K	PA66-GF	AQUA GREEN	(625)	1	11
			CODE HOUSING	J	PA66-GF	ORANGE		1	10
			FOLLOW 1-2399610-1	-	-	-		-	1-9
1-2399610-4	G/H	2POS,PIN DIA 14.0 HDR ASSY.90DEG	CODE HOUSING	H	PA66-GF	YELLOW	(625)	1	11
			CODE HOUSING	G	PA66-GF	RED		1	10
			FOLLOW 1-2399610-1	-	-	-		-	1-9
1-2399610-3	E/F	2POS,PIN DIA 14.0 HDR ASSY.90DEG	CODE HOUSING	F	PA66-GF	BROWN	(625)	1	11
			CODE HOUSING	E	PA66-GF	GREEN		1	10
			FOLLOW 1-2399610-1	-	-	-		-	1-9
1-2399610-2	C/D	2POS,PIN DIA 14.0 HDR ASSY.90DEG	CODE HOUSING	D	PA66-GF	PURPLE	(625)	1	11
			CODE HOUSING	C	PA66-GF	BLUE		1	10
			FOLLOW 1-2399610-1	-	-	-		-	1-9
1-2399610-1	A/B	2POS,PIN DIA 14.0 HDR ASSY.90DEG	CODE HOUSING	B	PA66-GF	NATURE	(625)	1	11
			CODE HOUSING	A	PA66-GF	BLACK		1	10
			HEADER TPA	-	PA66-GF	RED		2	9
			FINGER PROTECTION CAP	-	PA66-GF	BLACK		2	8
			FACE SEAL	-	SILICONE	RED		1	7
			BUSBAR OVERMOLD, BACK SIDE	-	-	-		2	6
			OUTER HOUSING	-	PA66-GF	BLACK		2	5
			INNER HOUSING	-	PA66-GF	BLACK		2	4
			HV INTERLOCK CABLE BRIDGED	-	-	-		1	3
			HV INTERLOCK CABLE	-	-	-		2	2
			HEADER HOUSING 90DEG, 2POS	-	AL-ALLOY	NICKEL PLATED		1	1

1. MISSING DIMENSIONS ACC. TO 2399610-1

TE-ASSY-NO	CODE	DESCRIPTION	DESCRIPTION	CODE	MATERIAL	SURFACE COLOR	WEIGHT (g)	QTY	ITEM
2-2399610-6	L/M	2POS,PIN DIA 14.0 HDR ASSY.90DEG	CODE HOUSING	M	PA66-GF	AQUA RED	(625)	1	11
			CODE HOUSING	L	PA66-GF	AQUA BROWN		1	10
			FOLLOW 2-2399610-1	-	-	-		-	1-9
2-2399610-5	J/K	2POS,PIN DIA 14.0 HDR ASSY.90DEG	CODE HOUSING	K	PA66-GF	AQUA GREEN	(625)	1	11
			CODE HOUSING	J	PA66-GF	ORANGE		1	10
			FOLLOW 2-2399610-1	-	-	-		-	1-9
2-2399610-4	G/H	2POS,PIN DIA 14.0 HDR ASSY.90DEG	CODE HOUSING	H	PA66-GF	YELLOW	(625)	1	11
			CODE HOUSING	G	PA66-GF	RED		1	10
			FOLLOW 2-2399610-1	-	-	-		-	1-9
2-2399610-3	E/F	2POS,PIN DIA 14.0 HDR ASSY.90DEG	CODE HOUSING	F	PA66-GF	BROWN	(625)	1	11
			CODE HOUSING	E	PA66-GF	GREEN		1	10
			FOLLOW 2-2399610-1	-	-	-		-	1-9
2-2399610-2	C/D	2POS,PIN DIA 14.0 HDR ASSY.90DEG	CODE HOUSING	D	PA66-GF	PURPLE	(625)	1	11
			CODE HOUSING	C	PA66-GF	BLUE		1	10
			FOLLOW 2-2399610-1	-	-	-		-	1-9
2-2399610-1	A/B	2POS,PIN DIA 14.0 HDR ASSY.90DEG	CODE HOUSING	B	PA66-GF	NATURE	(625)	1	11
			CODE HOUSING	A	PA66-GF	BLACK		1	10
			HEADER TPA	-	PA66-GF	RED		2	9
			FINGER PROTECTION CAP	-	PA66-GF	BLACK		2	8
			FACE SEAL	-	SILICONE	RED		1	7
			BUSBAR OVERMOLD, TOP SIDE	-	-	-		2	6
			OUTER HOUSING	-	PA66-GF	BLACK		2	5
			INNER HOUSING	-	PA66-GF	BLACK		2	4
			HV INTERLOCK CABLE BRIDGED	-	-	-		1	3
			HV INTERLOCK CABLE	-	-	-		2	2
			HEADER HOUSING 90DEG, 2POS	-	AL-ALLOY	NICKEL PLATED		1	1

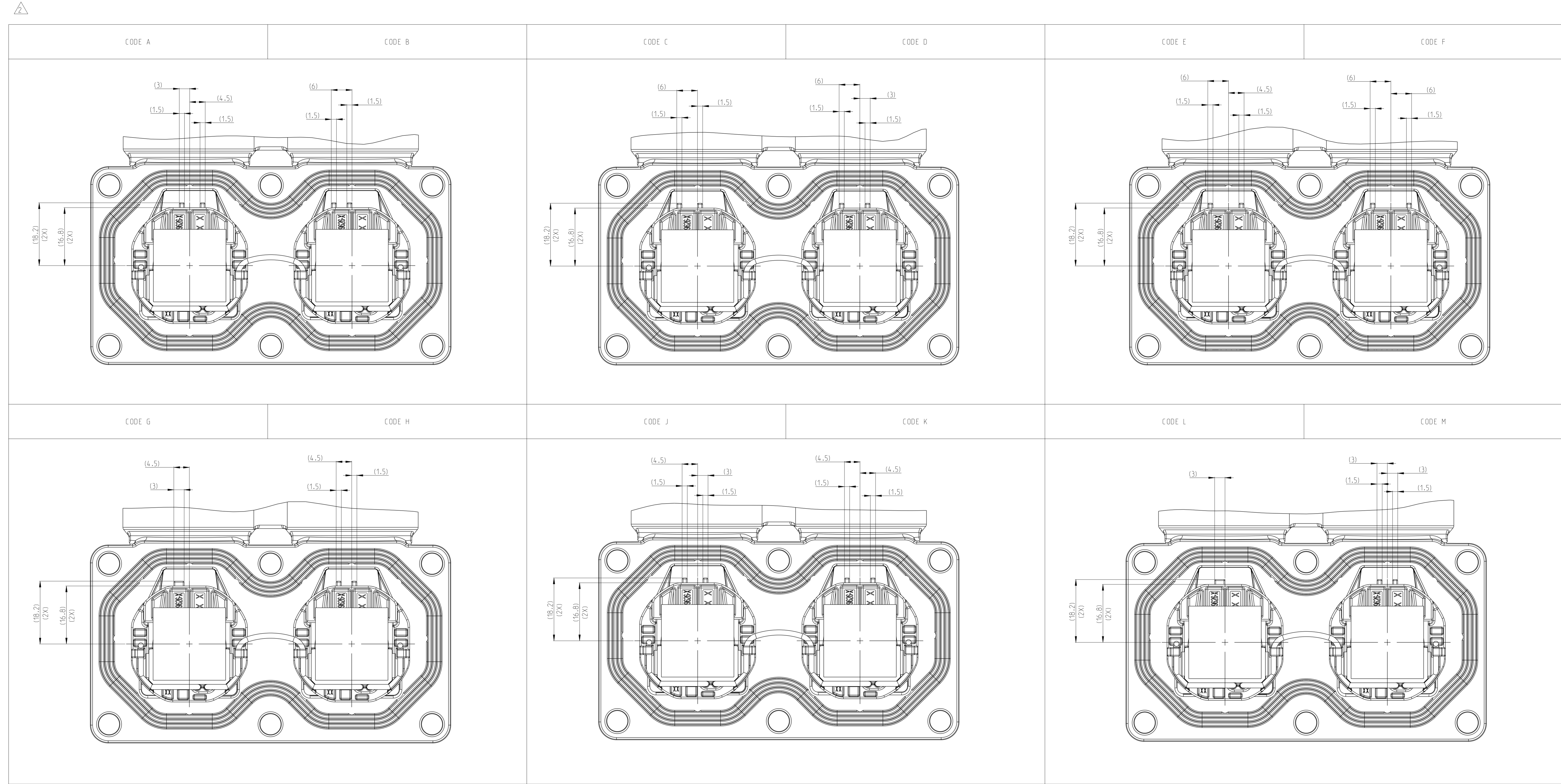
THIS DRAWING IS A CONTROLLED DOCUMENT. DATE: 29DEC2021

TE Connectivity

2POS,PIN DIA 14.0 HDR ASSY.90DEG HVP-HD1400

SCALE: 2:1 SHEET 2 OF 4

REVISIONS			
REV	DATE	BY	APPD
-	-	-	-
-	-	-	-
-	-	-	-

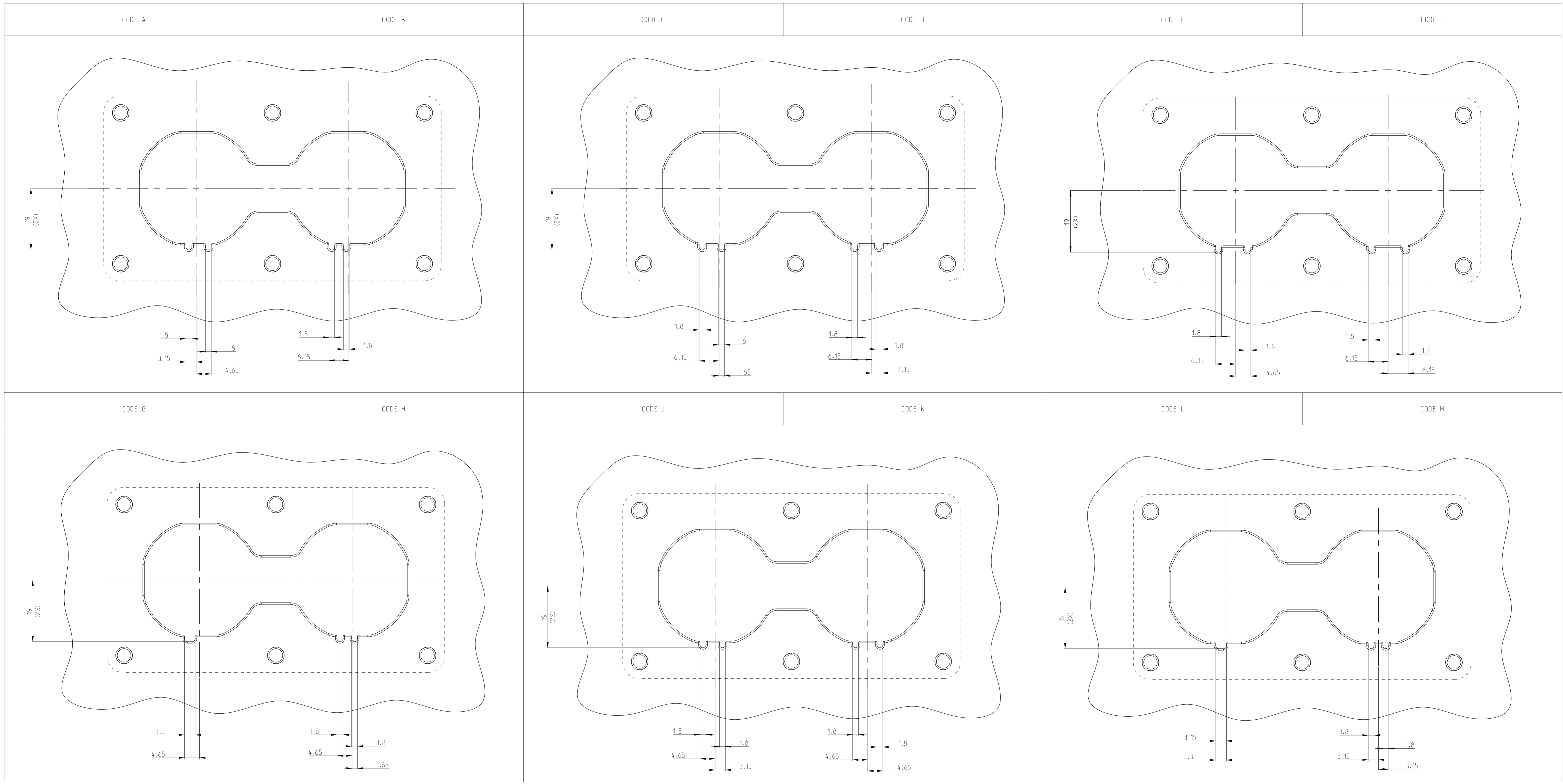


printed on 23 Mar 2022 08:55 (http://www.te.com/teconnectivity)

THIS DRAWING IS A CONTROLLED DOCUMENT.

DESIGNED BY: S.TAN	DATE: 29DEC2021		TE Connectivity 2POS.PIN DIA 14.0.HDR ASSY.90DEG HVP-HD1400
CHECKED BY: J.L.L.	DATE: 29DEC2021		
APPROVED BY: J.Y.VIN	DATE: 29DEC2021		
DATE: 29DEC2021	DATE: 29DEC2021		
DRAWN BY: J.Y.VIN	DATE: 29DEC2021	PRODUCT SPEC: 108-160407	SIZE: A0
MATERIAL: SEE TABLE	WEIGHT: SEE TABLE	APPLICATION SPEC: 114-160222	CASE CODE: 00779
		REVISIONS: SEE TABLE	DRAWING NO: C=2399610
			RESTRICTED TO: -
			SCALE: 2:1
			SHEET 3 OF 4
			REV: A1

REVISIONS			
REV	DATE	BY	APPD
-	-	-	-
-	-	-	-
-	-	-	-



printed on 23 Mar 2022 08:55 (http://www.te.com) Time from TICS2076

THIS DRAWING IS A CONTROLLED DOCUMENT.

DATE: 29DEC2021	BY: S.TAN
DATE: 29DEC2021	CHK: J.L.L.
DATE: 29DEC2021	APPV: J.VIN

TE Connectivity

2POS. PIN D IA 14.0.HDR ASSY.90DEG
HVP-HD14.00

SCALE: 2:1 SHEET 4 OF 4 REV: A.1