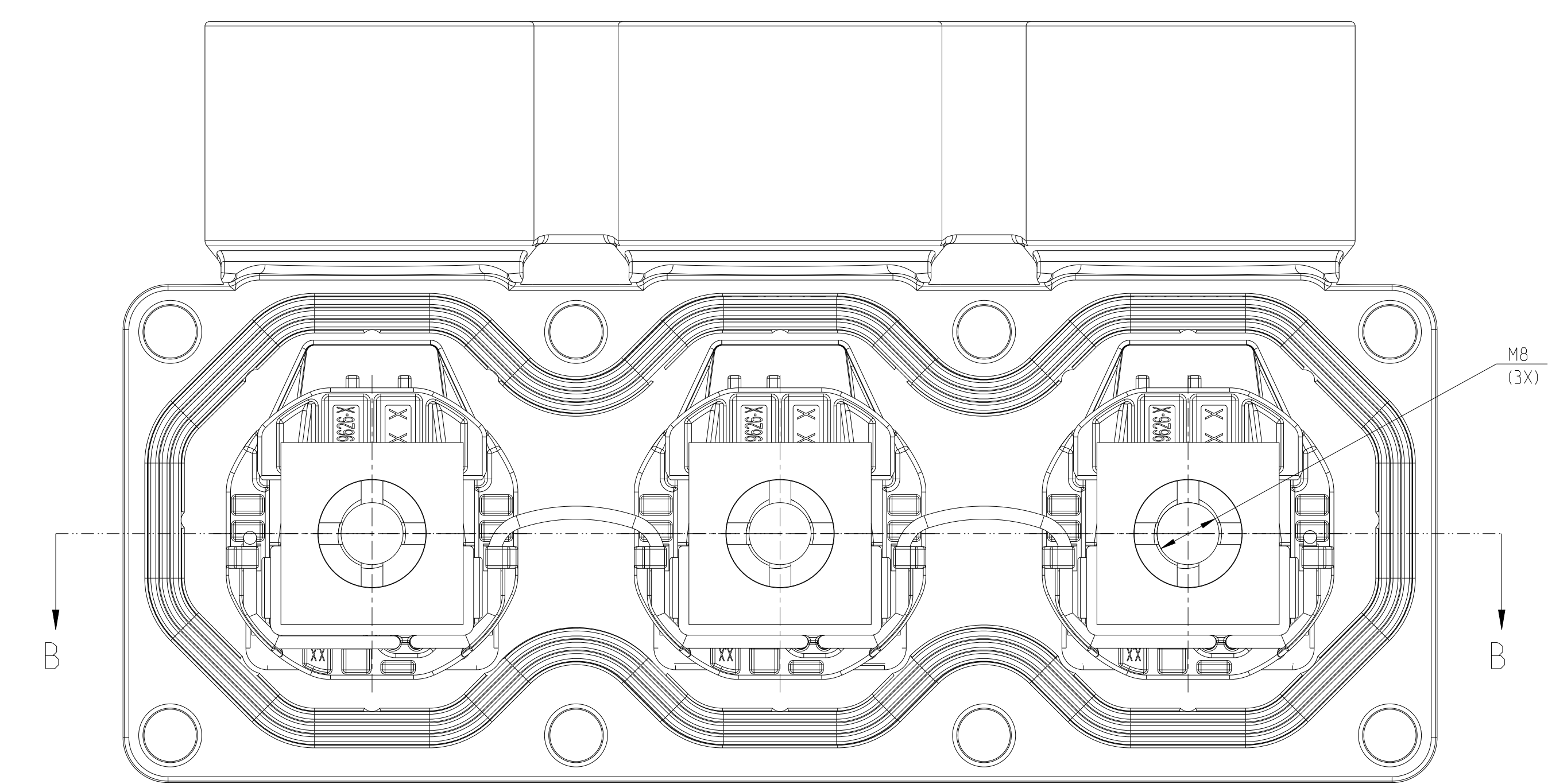
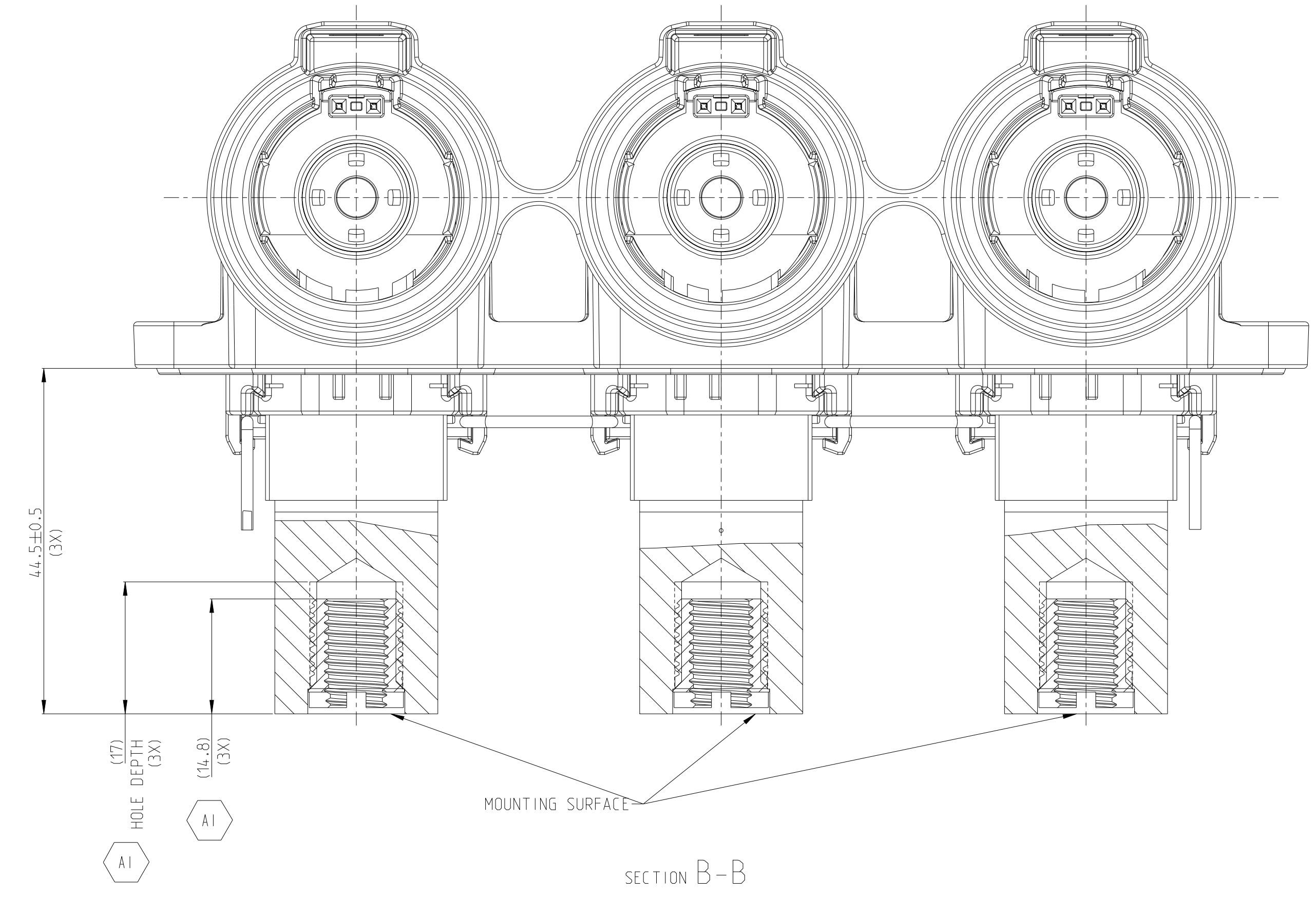
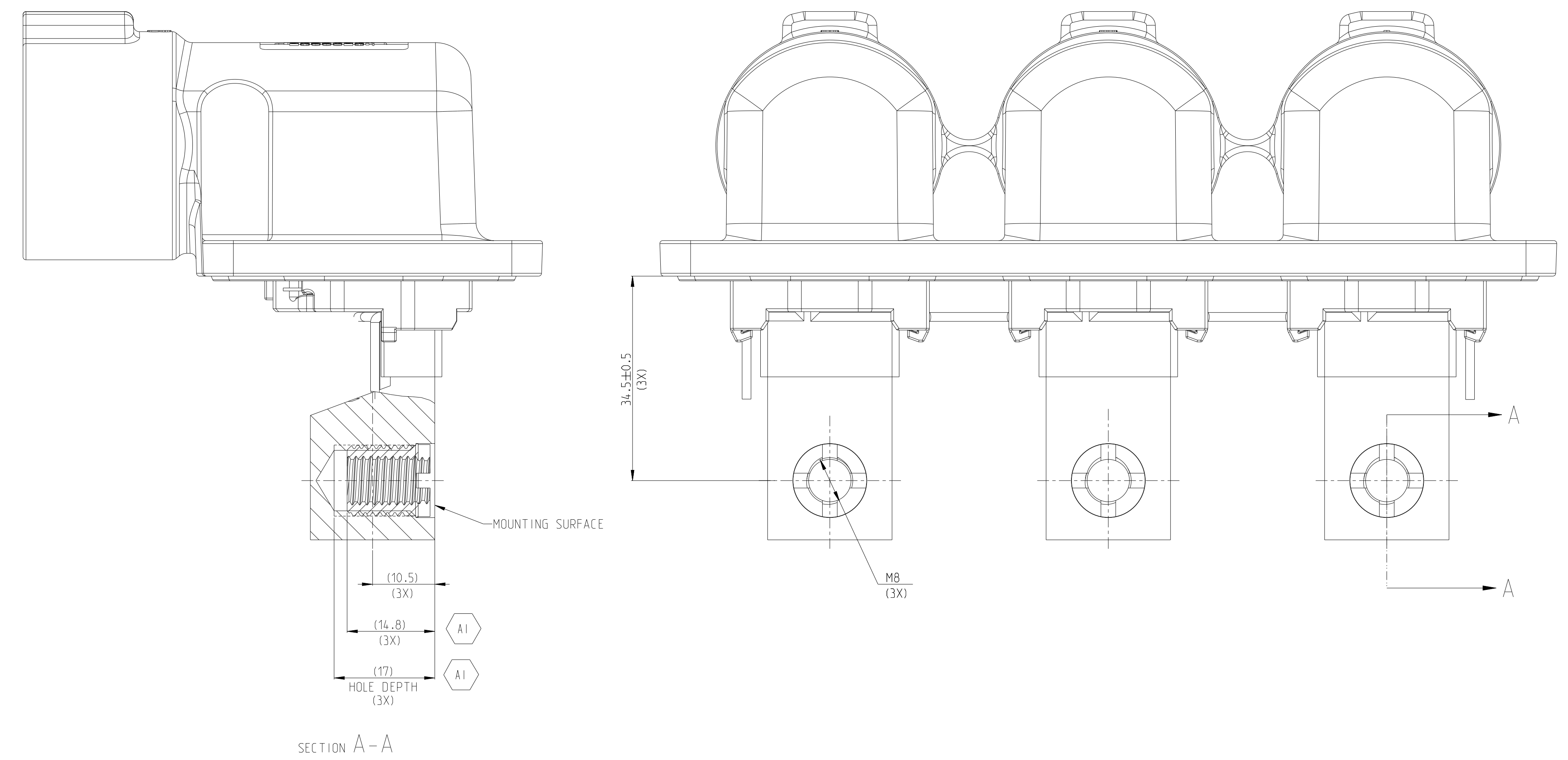


REVISIONS			
REV	DATE	DESCRIPTION	BY
1		SEE SHEET 1	



1. MISSING DIMENSIONS ACC. TO 2399611-1

TE-ASSY-NO	CODE	DESCRIPTION	DESCRIPTION	CODE	MATERIAL	SURFACE COLOR	WEIGHT (g)	QTY	ITEM
1-2399611-4	K/L/M	3POS,PIN DIA 14.0 HDR ASSY.90DEG	CODE HOUSING	M	PA66-GF	AQUA RED	(925)	1	12
			CODE HOUSING	L	PA66-GF	AQUA BROWN		1	11
			CODE HOUSING	K	PA66-GF	AQUA GREEN		1	10
			FOLLOW 1-2399611-1	-	-	-		-	1-9
1-2399611-3	G/H/J	3POS,PIN DIA 14.0 HDR ASSY.90DEG	CODE HOUSING	J	PA66-GF	ORANGE	(925)	1	12
			CODE HOUSING	H	PA66-GF	YELLOW		1	11
			CODE HOUSING	G	PA66-GF	RED		1	10
			FOLLOW 1-2399611-1	-	-	-		-	1-9
1-2399611-2	D/E/F	3POS,PIN DIA 14.0 HDR ASSY.90DEG	CODE HOUSING	F	PA66-GF	BROWN	(925)	1	12
			CODE HOUSING	E	PA66-GF	GREEN		1	11
			CODE HOUSING	D	PA66-GF	PURPLE		1	10
			FOLLOW 1-2399611-1	-	-	-		-	1-9
1-2399611-1	A/B/C	3POS,PIN DIA 14.0 HDR ASSY.90DEG	CODE HOUSING	C	PA66-GF	BLUE	(925)	1	12
			CODE HOUSING	B	PA66-GF	NATURE		1	11
			CODE HOUSING	A	PA66-GF	BLACK		1	10
			HEADER TPA	-	PA66-GF	RED		3	9
			FINGER PROTECTION CAP	-	PA66-GF	BLACK		3	8
			FACE SEAL	-	SILICONE	RED		1	7
			BUSBAR OVERMOLD, BACK SIDE	-	-	-		3	6
			OUTER HOUSING	-	PA66-GF	BLACK		3	5
			INNER HOUSING	-	PA66-GF	BLACK		3	4
			HV INTERLOCK CABLE, BRIDGED	-	-	-		2	3
			HV INTERLOCK CABLE	-	-	-		2	2
			HEADER HOUSING 90DEG, 3POS	-	AL-ALLOY	NICKEL PLATED		1	1

1. MISSING DIMENSIONS ACC. TO 2399611-1

TE-ASSY-NO	CODE	DESCRIPTION	DESCRIPTION	CODE	MATERIAL	SURFACE COLOR	WEIGHT (g)	QTY	ITEM
2-2399611-4	K/L/M	3POS,PIN DIA 14.0 HDR ASSY.90DEG	CODE HOUSING	M	PA66-GF	AQUA RED	(925)	1	12
			CODE HOUSING	L	PA66-GF	AQUA BROWN		1	11
			CODE HOUSING	K	PA66-GF	AQUA GREEN		1	10
			FOLLOW 2-2399611-1	-	-	-		-	1-9
2-2399611-3	G/H/J	3POS,PIN DIA 14.0 HDR ASSY.90DEG	CODE HOUSING	J	PA66-GF	ORANGE	(925)	1	12
			CODE HOUSING	H	PA66-GF	YELLOW		1	11
			CODE HOUSING	G	PA66-GF	RED		1	10
			FOLLOW 2-2399611-1	-	-	-		-	1-9
2-2399611-2	D/E/F	3POS,PIN DIA 14.0 HDR ASSY.90DEG	CODE HOUSING	F	PA66-GF	BROWN	(925)	1	12
			CODE HOUSING	E	PA66-GF	GREEN		1	11
			CODE HOUSING	D	PA66-GF	PURPLE		1	10
			FOLLOW 2-2399611-1	-	-	-		-	1-9
2-2399611-1	A/B/C	3POS,PIN DIA 14.0 HDR ASSY.90DEG	CODE HOUSING	C	PA66-GF	BLUE	(925)	1	12
			CODE HOUSING	B	PA66-GF	NATURE		1	11
			CODE HOUSING	A	PA66-GF	BLACK		1	10
			HEADER TPA	-	PA66-GF	RED		3	9
			FINGER PROTECTION CAP	-	PA66-GF	BLACK		3	8
			FACE SEAL	-	SILICONE	RED		1	7
			BUSBAR OVERMOLD, TOP SIDE	-	-	-		3	6
			OUTER HOUSING	-	PA66-GF	BLACK		3	5
			INNER HOUSING	-	PA66-GF	BLACK		3	4
			HV INTERLOCK CABLE, BRIDGED	-	-	-		2	3
			HV INTERLOCK CABLE	-	-	-		2	2
			HEADER HOUSING 90DEG, 3POS	-	AL-ALLOY	NICKEL PLATED		1	1

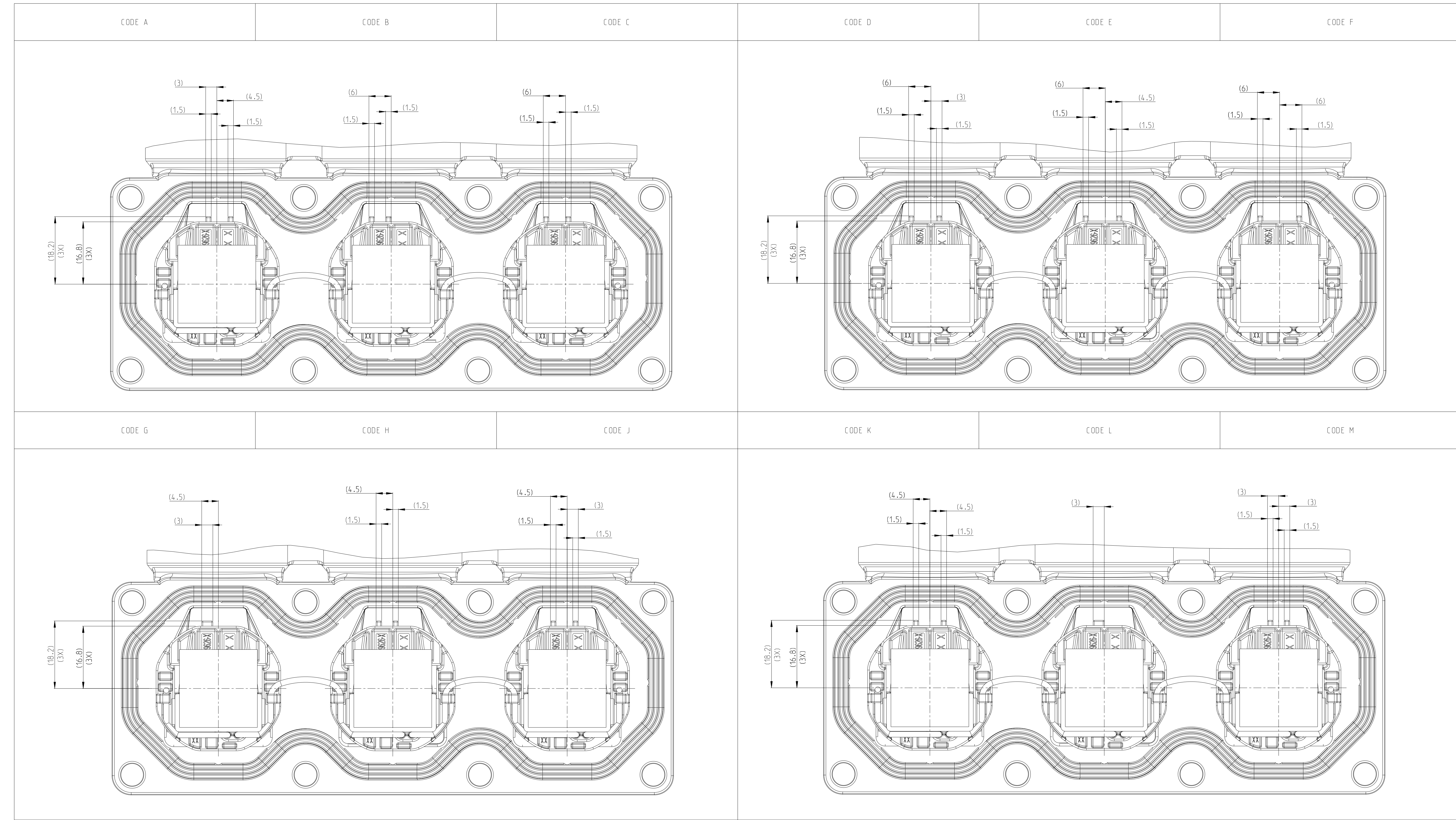
THIS DRAWING IS A CONTROLLED DOCUMENT. DATE: 29DEC2021

TE Connectivity

3POS,PIN DIA 14.0 HDR ASSY.90DEG
HVP-HD14.00

SCALE: 2:1 SHEET 2 OF 4 REV A1

REVISIONS			
REV	DATE	DESCRIPTION	APPD
-		SEE SHEET 1	



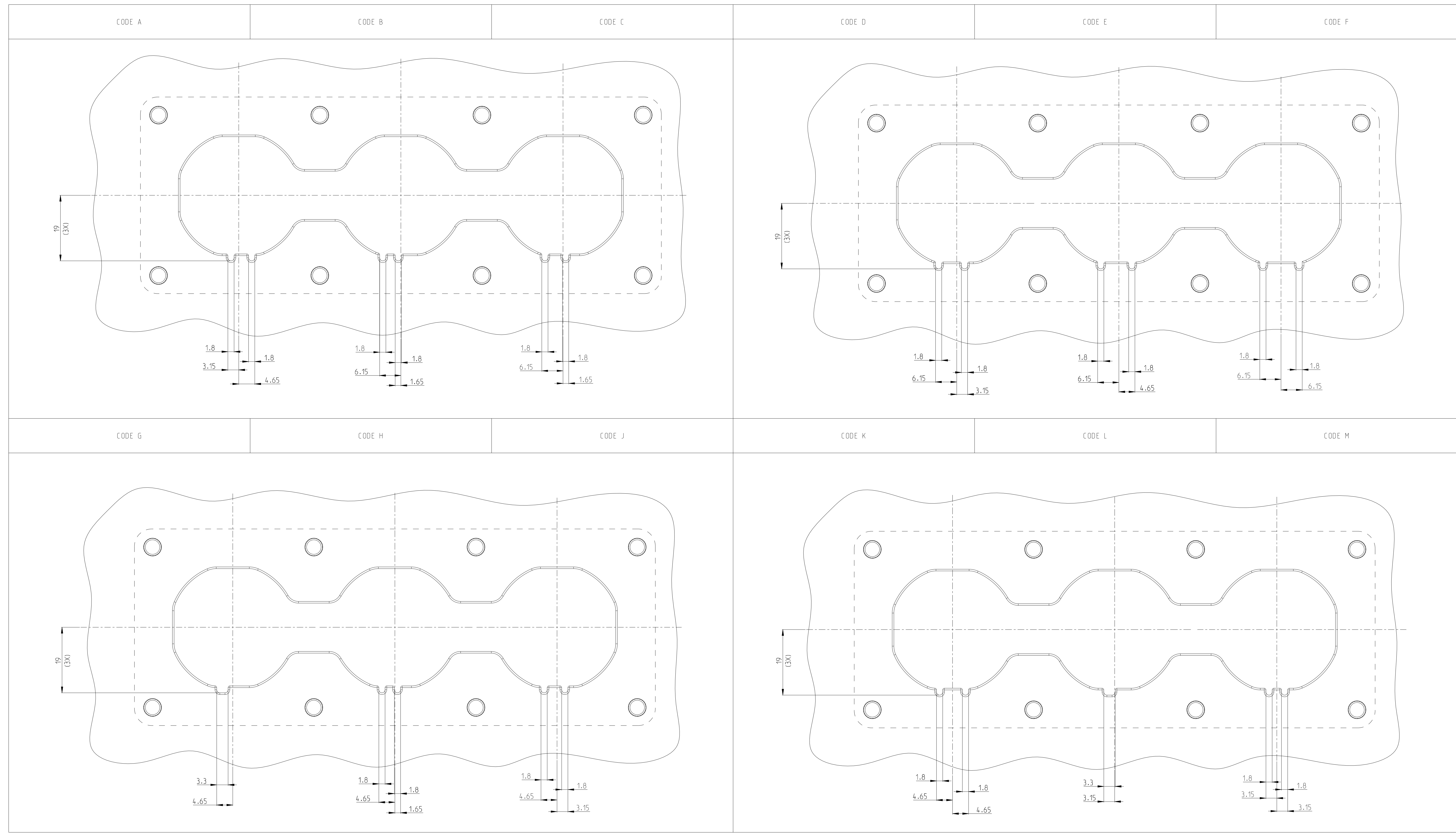
THIS DRAWING IS A CONTROLLED DOCUMENT.		DATE: 29DEC2021	BY: S.TAN
DIMENSIONS: UNLESS OTHERWISE SPECIFIED, DIMENSIONS ARE IN MILLIMETERS.		DATE: 29DEC2021	CHK: L.L.
TOLERANCES: ±0.5		DATE: 29DEC2021	APPD: J.YIN
1. HOLE		PRODUCT SPEC	108-1604.07
2. HOLE		APPLICATION SPEC	114-160222
3. HOLE		WEIGHT	SEE TABLE
4. HOLE		CUSTOMER DRAWING	
MATERIAL: SEE TABLE		SCALE: 2:1	SHEET 3 OF 4
REV: A		DATE: 00779	REV: A1



3POS. PIN DIA 14.0.HDR ASSY.90DEG HVP-HD14.00

RESTRICTED TO

REVISIONS			
REV	DATE	BY	APPD
-	SEE SHEET 1	-	-



THIS DRAWING IS A CONTROLLED DOCUMENT. DATE: 29DEC2021

DESIGNED BY: S. TAN
 CHECKED BY: L.L.
 APPROVED BY: L.L.
 DATE: 29DEC2021

TE Connectivity

3POS. PIN DIA 14.0.HDR ASSY.90DEG
 HVP-HD14.00

108-160407
 APPLICATION SPEC
 114-160222

SCALE: 2:1 SHEET 4 OF 4 REV: A1