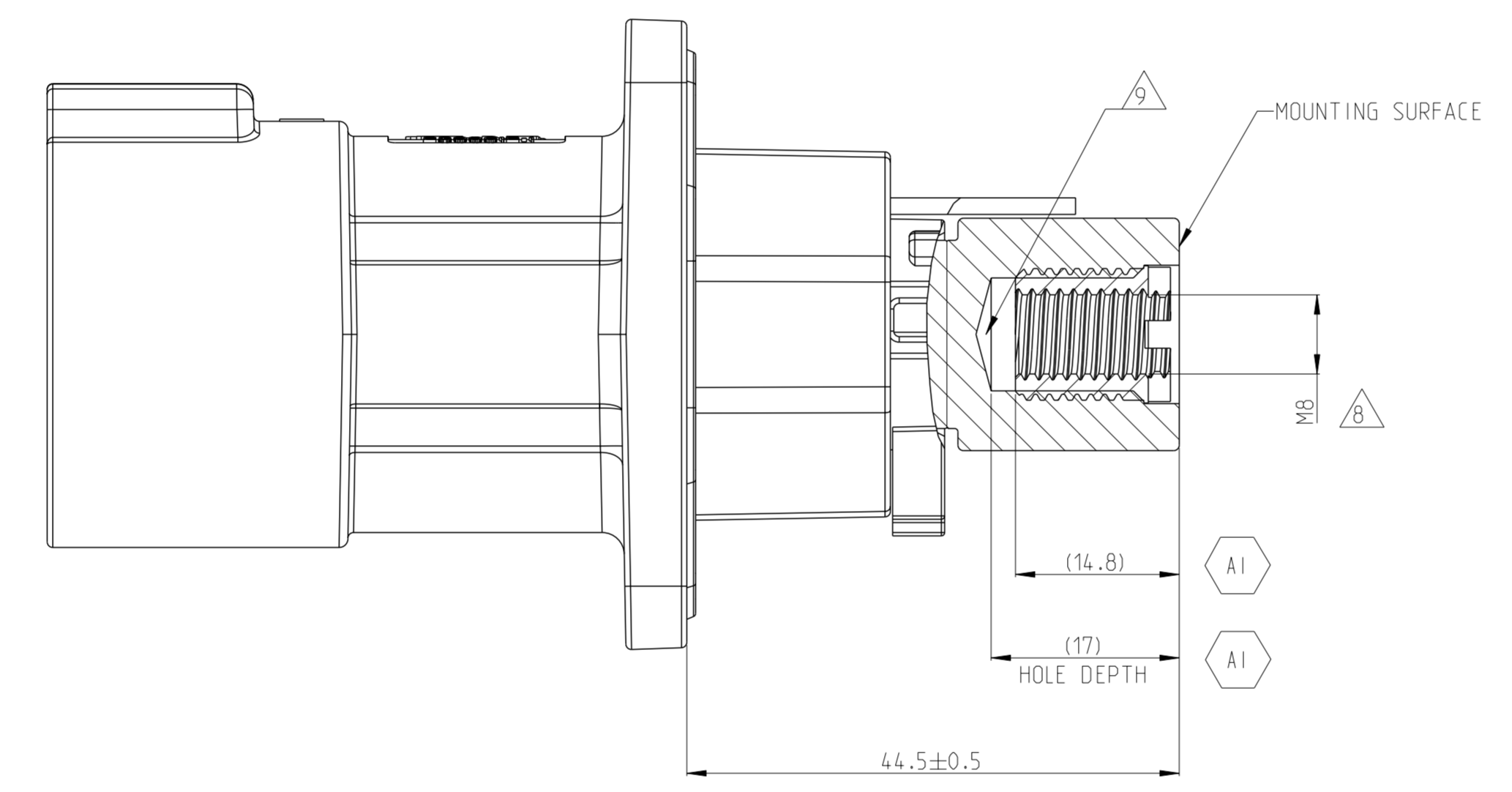
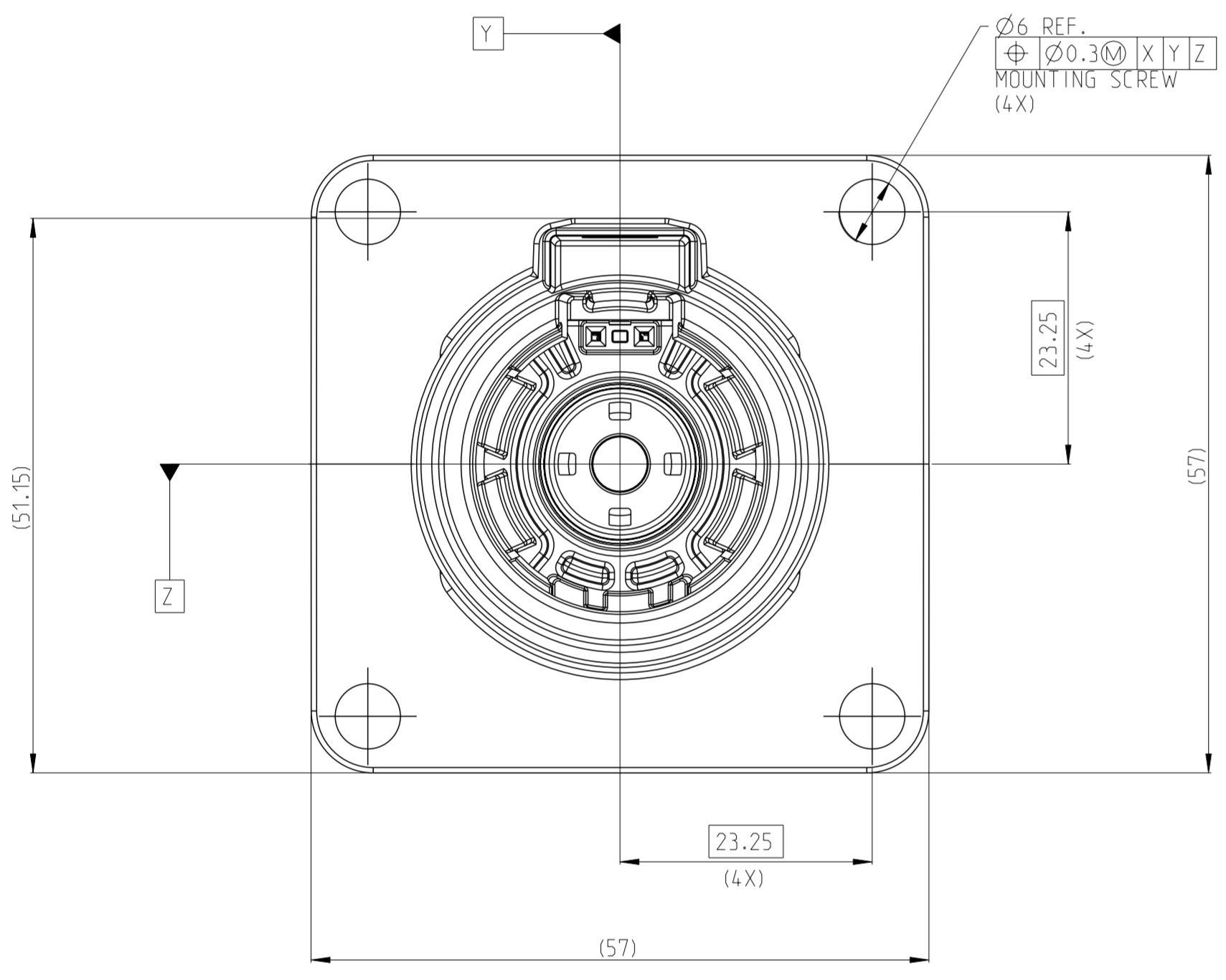
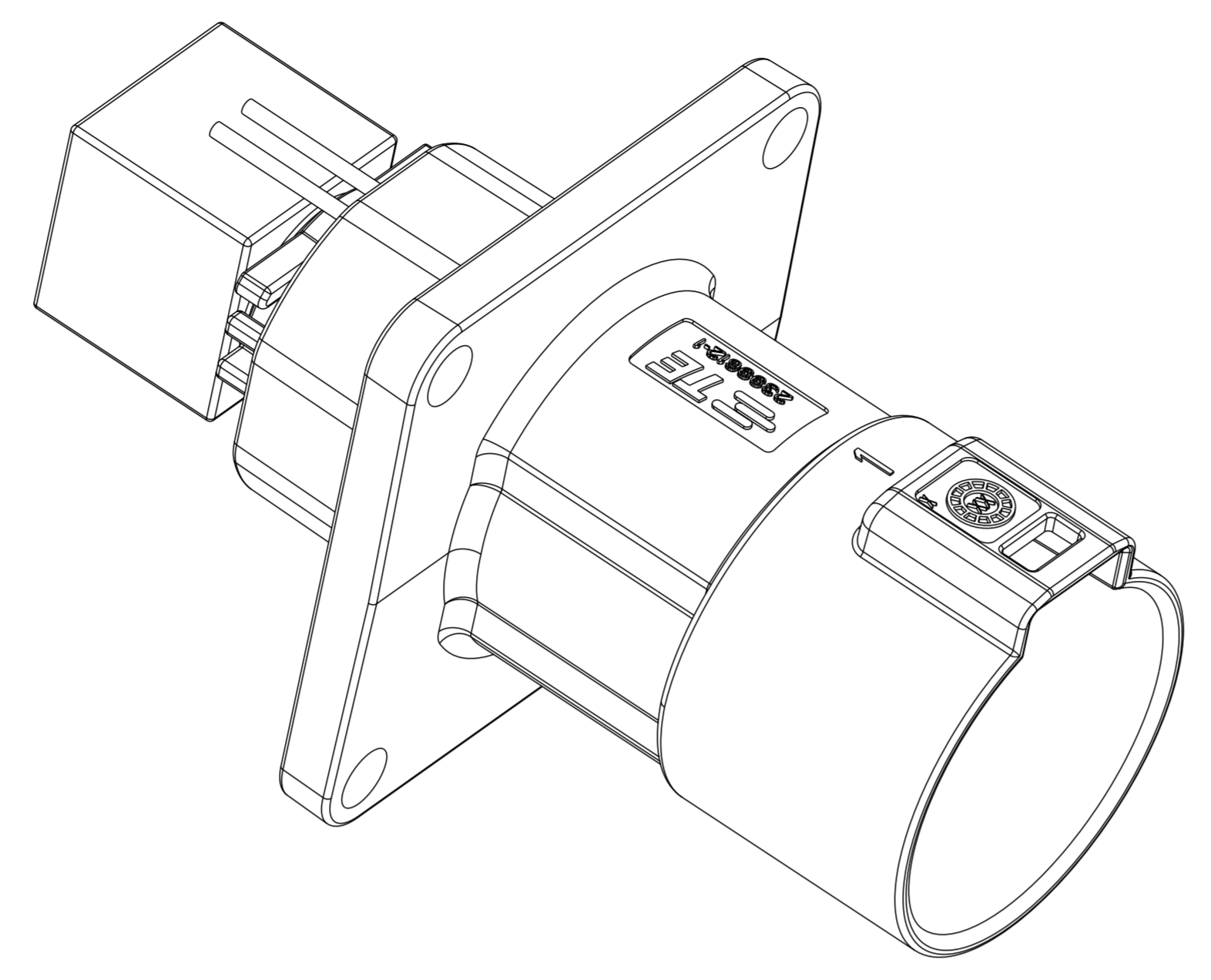
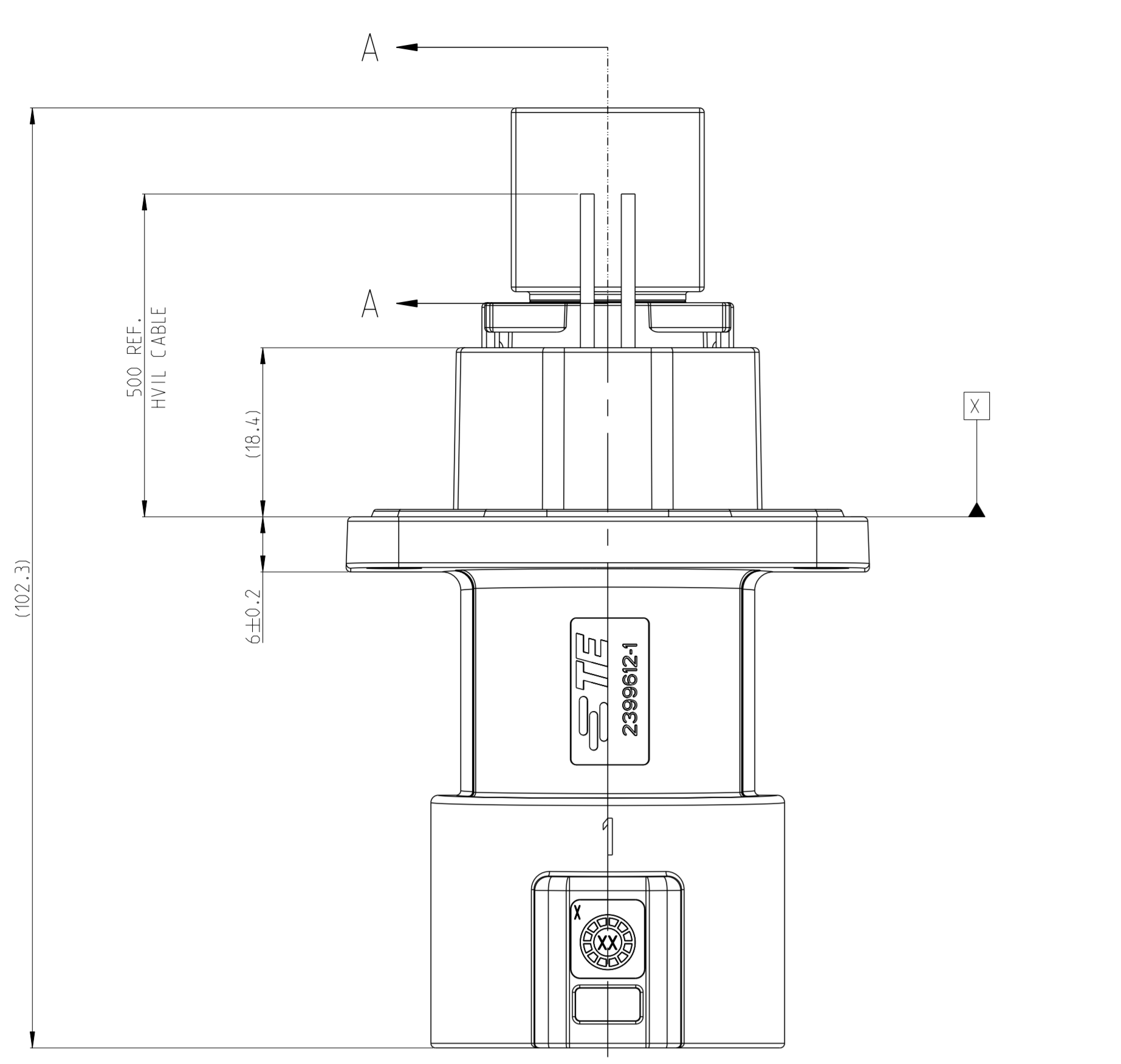
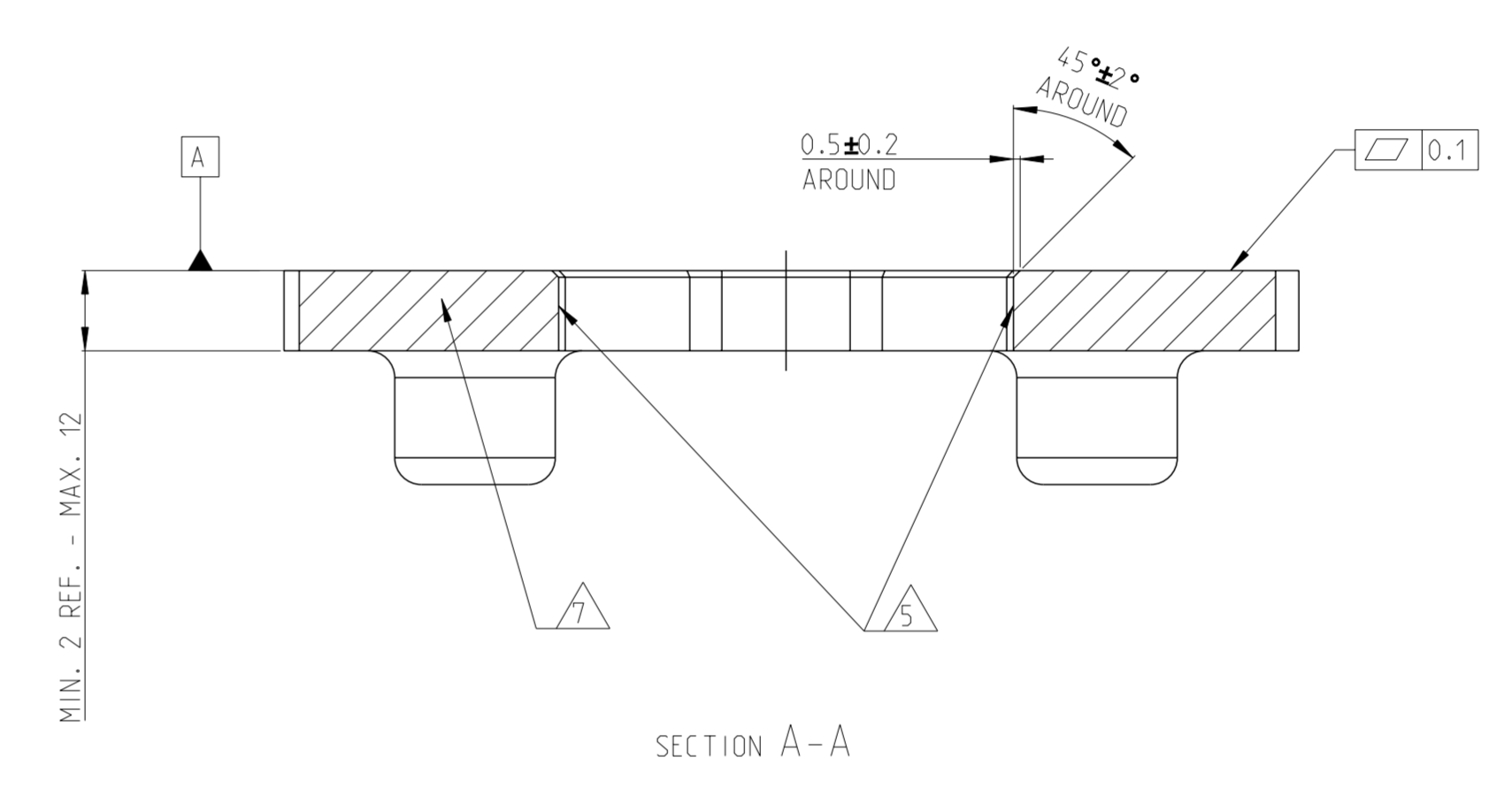
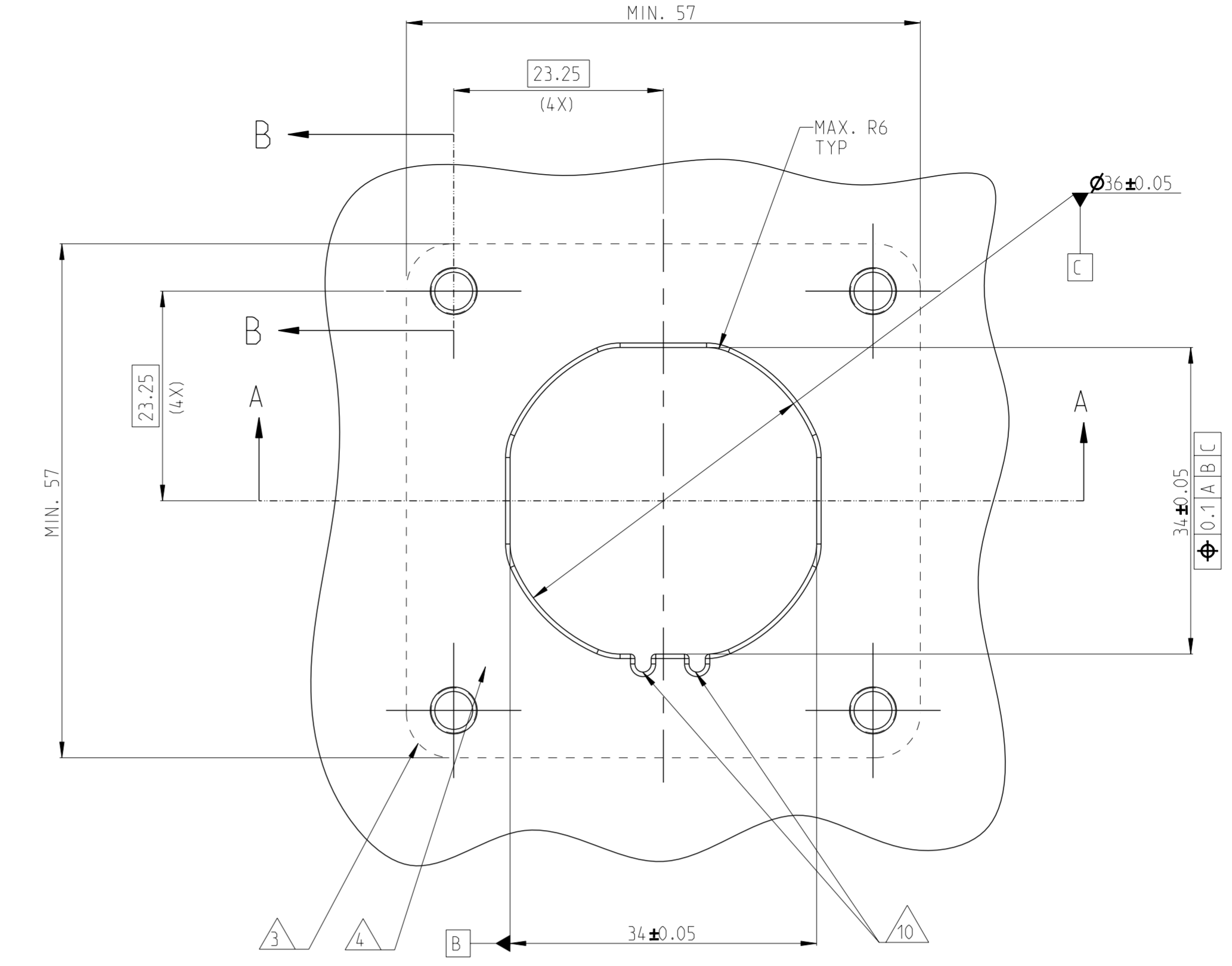


REVISIONS			
REV	DATE	BY	APPD
A	INITIAL DRAWING	PRODEC2021	S.T 1.Y
A1	ECR-22-136442	MAR2022	S.T 2.Z

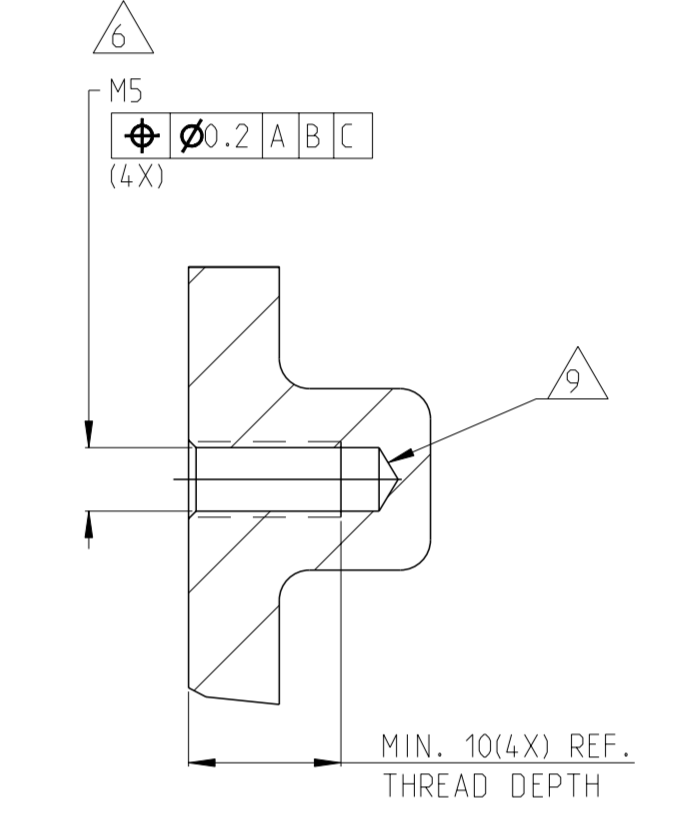


SECTION A-A

ADAPTER PLATE - HVP-HD1400 1POS HEADER INTERFACE



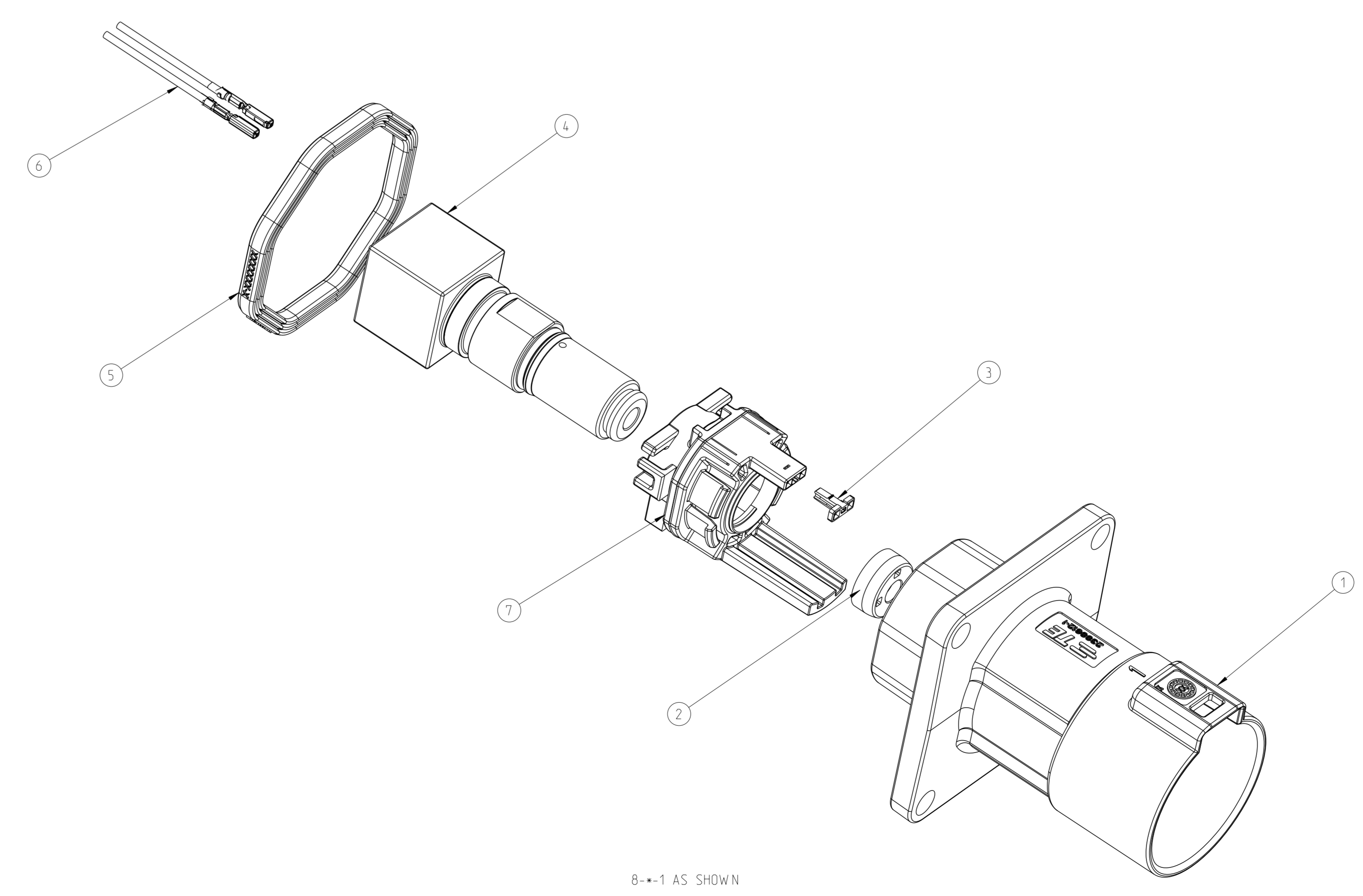
SECTION A-A



SECTION B-B

- 1. MATING CONNECTOR REFER TO DRAWING 2400957
- △ CODING VARIANT
- △ FREE SPACE FOR HEADER
- △ SEALING AREA: NO BURR, TOOL PARTING, SHRINKAGE. CAVITIES AND GATE MARKS PERMITTED. SURFACE ROUGHNESS Ra<1.6
- △ DRAFT ANGLE UP TO 0.5° PERMITTED
- △ MOUNTING SCREW M5, SCREW TYPE UP TO MANUFACTURER, DRILL HOLE DESIGN ACCORDING TO SCREW TYPE
- △ MATERIAL: CORROSION RESISTANT, ELECTROCONDUCTIVE
- △ SCREW M8 FOR BUSBAR CONNECTION
- △ ALL THREAD HOLES ARE BLIND HOLES
- △ INTERFACE PANEL CODE SEE SHEET 5

9-2399606-3	M	1POS, PIN DIA 14.0 HDR ASSY, 180DEG	CODE HOUSING FOLLOW 8-2399606-1	M	PA66-GF	AQUA RED	(245)	1	7
9-2399606-2	L	1POS, PIN DIA 14.0 HDR ASSY, 180DEG	CODE HOUSING FOLLOW 8-2399606-1	L	PA66-GF	AQUA BROWN	(245)	1	7
9-2399606-1	K	1POS, PIN DIA 14.0 HDR ASSY, 180DEG	CODE HOUSING FOLLOW 8-2399606-1	K	PA66-GF	AQUA GREEN	(245)	1	7
8-2399606-9	J	1POS, PIN DIA 14.0 HDR ASSY, 180DEG	CODE HOUSING FOLLOW 8-2399606-1	J	PA66-GF	ORANGE	(245)	1	7
8-2399606-8	H	1POS, PIN DIA 14.0 HDR ASSY, 180DEG	CODE HOUSING FOLLOW 8-2399606-1	H	PA66-GF	YELLOW	(245)	1	7
8-2399606-7	G	1POS, PIN DIA 14.0 HDR ASSY, 180DEG	CODE HOUSING FOLLOW 8-2399606-1	G	PA66-GF	RED	(245)	1	7
8-2399606-6	F	1POS, PIN DIA 14.0 HDR ASSY, 180DEG	CODE HOUSING FOLLOW 8-2399606-1	F	PA66-GF	BROWN	(245)	1	7
8-2399606-5	E	1POS, PIN DIA 14.0 HDR ASSY, 180DEG	CODE HOUSING FOLLOW 8-2399606-1	E	PA66-GF	GREEN	(245)	1	7
8-2399606-4	D	1POS, PIN DIA 14.0 HDR ASSY, 180DEG	CODE HOUSING FOLLOW 8-2399606-1	D	PA66-GF	PURPLE	(245)	1	7
8-2399606-3	C	1POS, PIN DIA 14.0 HDR ASSY, 180DEG	CODE HOUSING FOLLOW 8-2399606-1	C	PA66-GF	BLUE	(245)	1	7
8-2399606-2	B	1POS, PIN DIA 14.0 HDR ASSY, 180DEG	CODE HOUSING FOLLOW 8-2399606-1	B	PA66-GF	NATURE	(245)	1	7
8-2399606-1	A	1POS, PIN DIA 14.0 HDR ASSY, 180DEG	CODE HOUSING HV INTERLOCK CABLE FACE SEAL BUSBAR, TOP SIDE HEADER TPA FINGERS PROTECTION CAP HEADER HOUSING 180DEG, 1POS	A	PA66-GF	BLACK	(245)	1	7
								2	6
								1	5
								1	4
								1	3
								1	2
								1	1
TE-ASSY-NO	CODE	DESCRIPTION	DESCRIPTION	CODE	MATERIAL	SURFACE COLOR	WEIGHT (g)	QTY	ITEM



8--1 AS SHOWN

THIS DRAWING IS A CONTROLLED DOCUMENT.		REV	DATE	BY	APPD
DIMENSIONS: (UNLESS OTHERWISE SPECIFIED)		1	29DEC2021	S.T	PRODEC2021
TOLERANCES: (UNLESS OTHERWISE SPECIFIED)		1	29DEC2021	S.T	PRODEC2021
FINISH SPEC: (UNLESS OTHERWISE SPECIFIED)		1	29DEC2021	S.T	PRODEC2021
MATERIAL: (UNLESS OTHERWISE SPECIFIED)		1	29DEC2021	S.T	PRODEC2021
SEE TABLE		1	29DEC2021	S.T	PRODEC2021
CUSTOMER DRAWING		1	29DEC2021	S.T	PRODEC2021
SCALE: 2:1		1	29DEC2021	S.T	PRODEC2021
SHEET 1 OF 5		1	29DEC2021	S.T	PRODEC2021
REV A1		1	29DEC2021	S.T	PRODEC2021



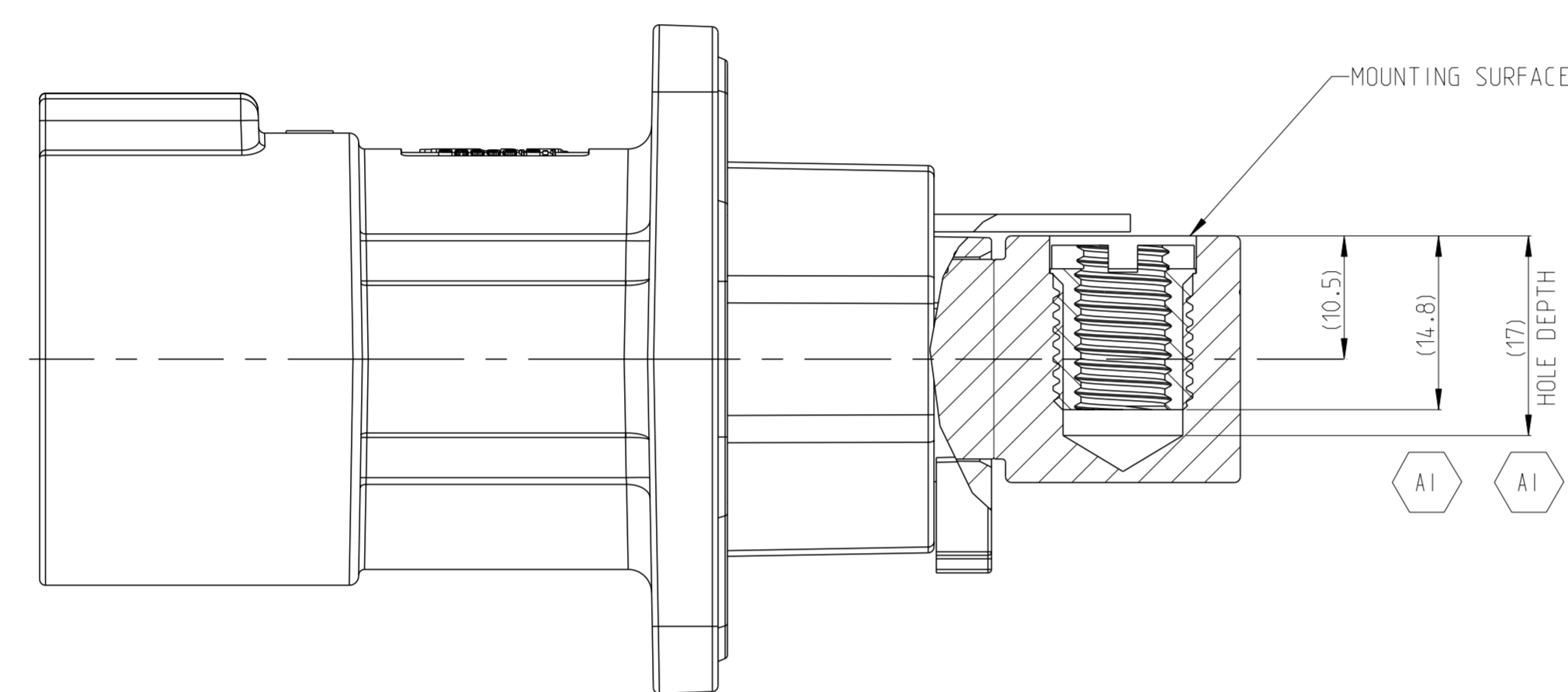
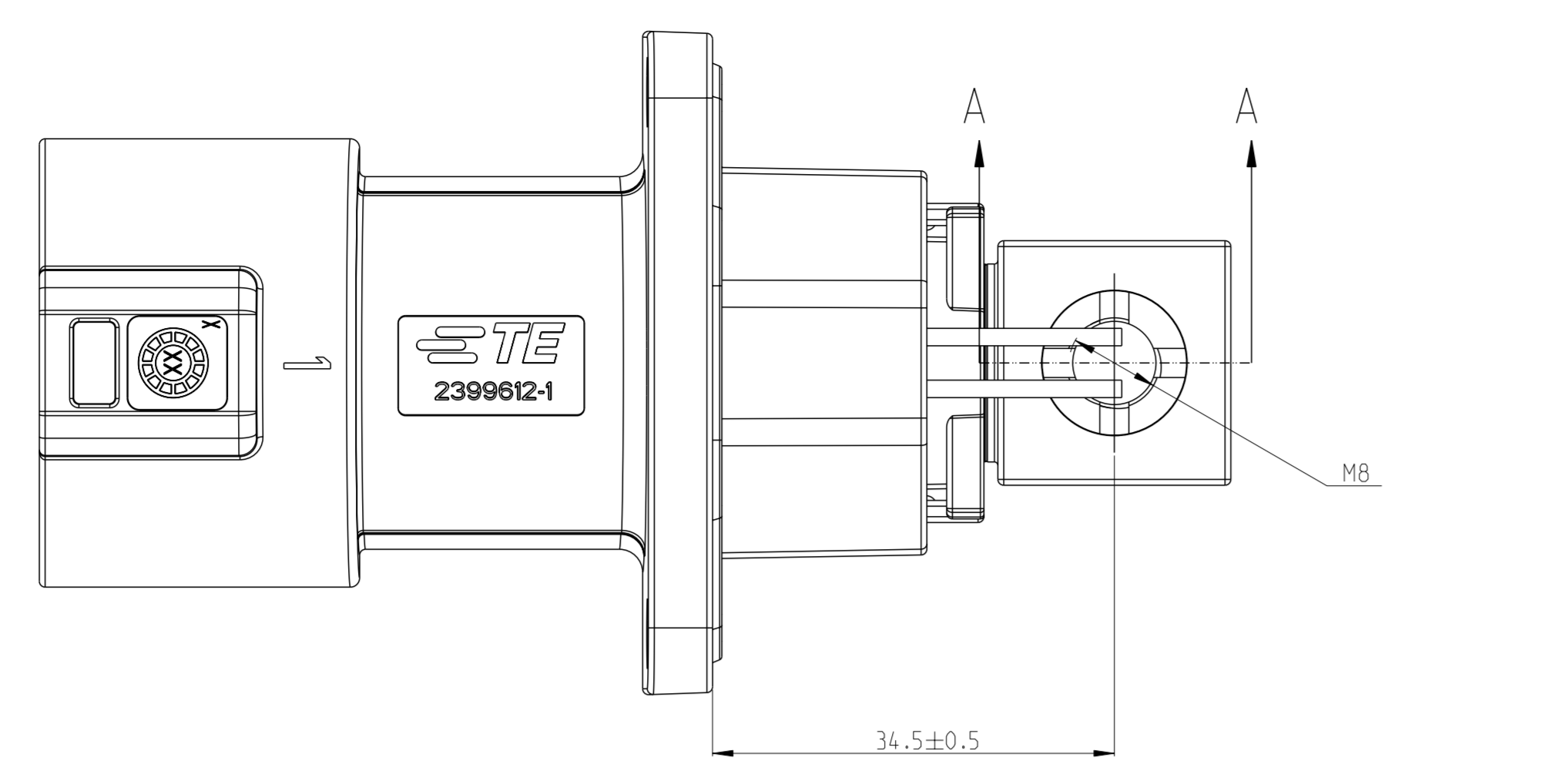
1POS, PIN DIA 14.0 HDR ASSY, 180DEG  
HVP-HD1400

SIZE CASE CODE DRAWING NO  
A0 00779 C=2399606

RESTRICTED TO

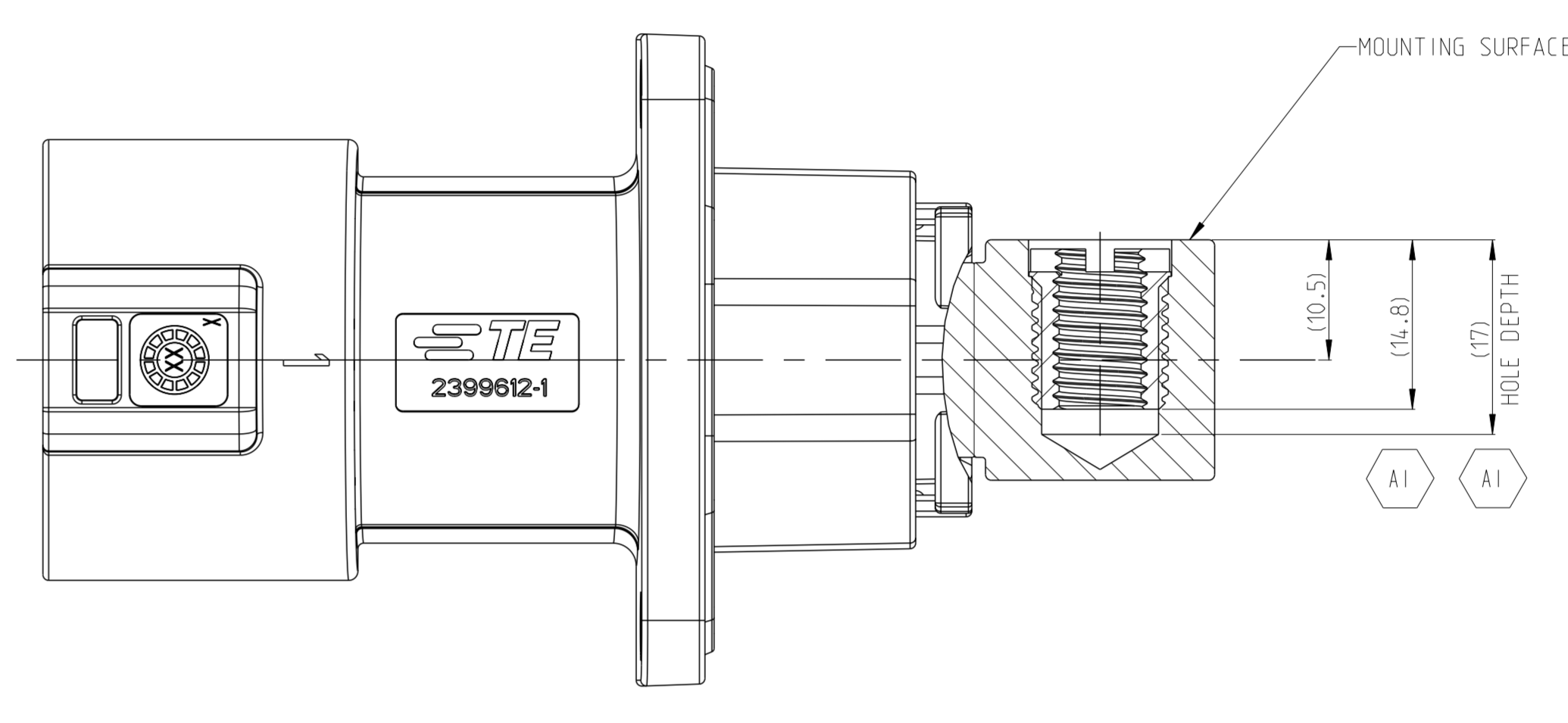
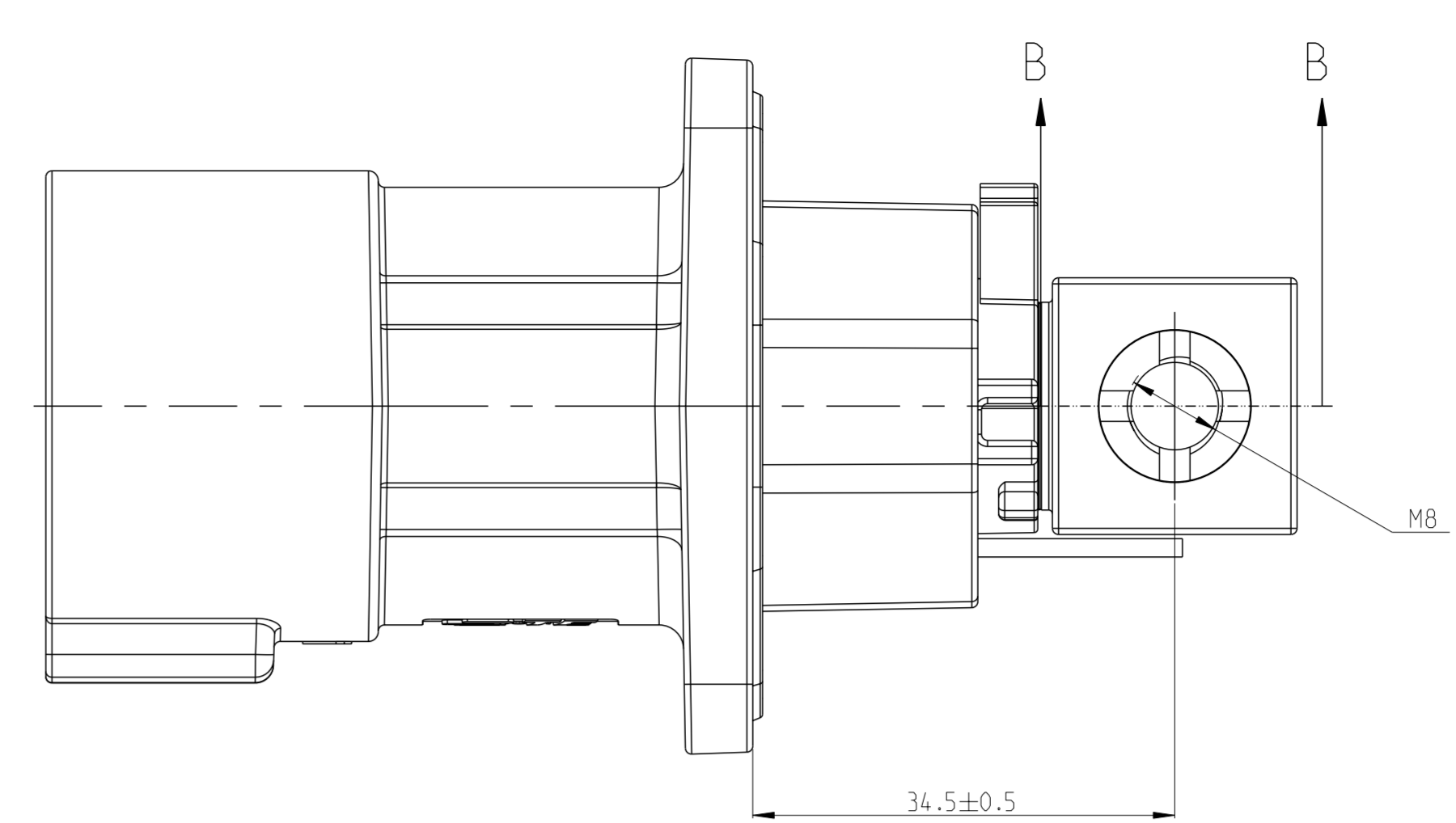


REVISIONS			
REV	DATE	BY	APPD
-	SEE SHEET 1	-	-



SECTION A-A

1. MISSING DIMENSIONS ACC. TO 8-2399606-1



SECTION B-B

1. MISSING DIMENSIONS ACC. TO 8-2399606-1

TE-ASSY-NO	CODE	DESCRIPTION	DESCRIPTION	CODE	MATERIAL	SURFACE COLOR	WEIGHT (g)	QTY	ITEM
5-2399606-3	M	1POS.PIN DIA 14.0 HDR ASSY.180DEG	CODE HOUSING FOLLOW 4-2399606-1	M	PA66-GF	AQUA RED	(245)	1	7
5-2399606-2	L	1POS.PIN DIA 14.0 HDR ASSY.180DEG	CODE HOUSING FOLLOW 4-2399606-1	L	PA66-GF	AQUA BROWN	(245)	1	7
5-2399606-1	K	1POS.PIN DIA 14.0 HDR ASSY.180DEG	CODE HOUSING FOLLOW 4-2399606-1	K	PA66-GF	AQUA GREEN	(245)	1	7
4-2399606-9	J	1POS.PIN DIA 14.0 HDR ASSY.180DEG	CODE HOUSING FOLLOW 4-2399606-1	J	PA66-GF	ORANGE	(245)	1	7
4-2399606-8	H	1POS.PIN DIA 14.0 HDR ASSY.180DEG	CODE HOUSING FOLLOW 4-2399606-1	H	PA66-GF	YELLOW	(245)	1	7
4-2399606-7	G	1POS.PIN DIA 14.0 HDR ASSY.180DEG	CODE HOUSING FOLLOW 4-2399606-1	G	PA66-GF	RED	(245)	1	7
4-2399606-6	F	1POS.PIN DIA 14.0 HDR ASSY.180DEG	CODE HOUSING FOLLOW 4-2399606-1	F	PA66-GF	BROWN	(245)	1	7
4-2399606-5	E	1POS.PIN DIA 14.0 HDR ASSY.180DEG	CODE HOUSING FOLLOW 4-2399606-1	E	PA66-GF	GREEN	(245)	1	7
4-2399606-4	D	1POS.PIN DIA 14.0 HDR ASSY.180DEG	CODE HOUSING FOLLOW 4-2399606-1	D	PA66-GF	PURPLE	(245)	1	7
4-2399606-3	C	1POS.PIN DIA 14.0 HDR ASSY.180DEG	CODE HOUSING FOLLOW 4-2399606-1	C	PA66-GF	BLUE	245	1	7
4-2399606-2	B	1POS.PIN DIA 14.0 HDR ASSY.180DEG	CODE HOUSING FOLLOW 4-2399606-1	B	PA66-GF	NATURE	(245)	1	7
4-2399606-1	A	1POS.PIN DIA 14.0 HDR ASSY.180DEG	CODE HOUSING	A	PA66-GF	BLACK	(245)	1	7
			HV INTERLOCK CABLE	-	-	-		2	6
			FACE SEAL	-	SILICONE	RED		1	5
			BUSBAR, BACK SIDE	-	-	-		1	4
			HEADER TPA	-	PA66-GF	RED		1	3
			FINGER PROTECTION CAP	-	PA66-GF	BLACK		1	2
			HEADER HOUSING 180DEG.1POS	-	AL-ALLOY	NICKEL PLATED		1	1

TE-ASSY-NO	CODE	DESCRIPTION	DESCRIPTION	CODE	MATERIAL	SURFACE COLOR	WEIGHT (g)	QTY	ITEM
7-2399606-3	M	1POS.PIN DIA 14.0 HDR ASSY.180DEG	CODE HOUSING FOLLOW 6-2399606-1	M	PA66-GF	AQUA RED	(245)	1	7
7-2399606-2	L	1POS.PIN DIA 14.0 HDR ASSY.180DEG	CODE HOUSING FOLLOW 6-2399606-1	L	PA66-GF	AQUA BROWN	(245)	1	7
7-2399606-1	K	1POS.PIN DIA 14.0 HDR ASSY.180DEG	CODE HOUSING FOLLOW 6-2399606-1	K	PA66-GF	AQUA GREEN	(245)	1	7
6-2399606-9	J	1POS.PIN DIA 14.0 HDR ASSY.180DEG	CODE HOUSING FOLLOW 6-2399606-1	J	PA66-GF	ORANGE	(245)	1	7
6-2399606-8	H	1POS.PIN DIA 14.0 HDR ASSY.180DEG	CODE HOUSING FOLLOW 6-2399606-1	H	PA66-GF	YELLOW	(245)	1	7
6-2399606-7	G	1POS.PIN DIA 14.0 HDR ASSY.180DEG	CODE HOUSING FOLLOW 6-2399606-1	G	PA66-GF	RED	(245)	1	7
6-2399606-6	F	1POS.PIN DIA 14.0 HDR ASSY.180DEG	CODE HOUSING FOLLOW 6-2399606-1	F	PA66-GF	BROWN	(245)	1	7
6-2399606-5	E	1POS.PIN DIA 14.0 HDR ASSY.180DEG	CODE HOUSING FOLLOW 6-2399606-1	E	PA66-GF	GREEN	(245)	1	7
6-2399606-4	D	1POS.PIN DIA 14.0 HDR ASSY.180DEG	CODE HOUSING FOLLOW 6-2399606-1	D	PA66-GF	PURPLE	(245)	1	7
6-2399606-3	C	1POS.PIN DIA 14.0 HDR ASSY.180DEG	CODE HOUSING FOLLOW 6-2399606-1	C	PA66-GF	BLUE	(245)	1	7
6-2399606-2	B	1POS.PIN DIA 14.0 HDR ASSY.180DEG	CODE HOUSING FOLLOW 6-2399606-1	B	PA66-GF	NATURE	(245)	1	7
6-2399606-1	A	1POS.PIN DIA 14.0 HDR ASSY.180DEG	CODE HOUSING	A	PA66-GF	BLACK	(245)	1	7
			HV INTERLOCK CABLE	-	-	-		2	6
			FACE SEAL	-	SILICONE	RED		1	5
			BUSBAR, LEFT SIDE	-	-	-		1	4
			HEADER TPA	-	PA66-GF	RED		1	3
			FINGER PROTECTION CAP	-	PA66-GF	BLACK		1	2
			HEADER HOUSING 180DEG.1POS	-	AL-ALLOY	NICKEL PLATED		1	1

THIS DRAWING IS A CONTROLLED DOCUMENT.

DATE: 29DEC2021  
 CHK: L.L.  
 DATE: 29DEC2021  
 DATE: 29DEC2021

DIMENSIONS: (UNIT) (TOLERANCE) (DIMENSION) (UNIT)  
 FRACTIONAL DIMENSIONS: (TOLERANCE) (DIMENSION) (UNIT)  
 DECIMAL DIMENSIONS: (TOLERANCE) (DIMENSION) (UNIT)  
 ANGLES: (TOLERANCE) (DIMENSION) (UNIT)  
 HOLE DIMENSIONS: (TOLERANCE) (DIMENSION) (UNIT)  
 HOLE DEPTHS: (TOLERANCE) (DIMENSION) (UNIT)  
 HOLE DIAMETERS: (TOLERANCE) (DIMENSION) (UNIT)  
 HOLE LENGTHS: (TOLERANCE) (DIMENSION) (UNIT)  
 HOLE RADIUS: (TOLERANCE) (DIMENSION) (UNIT)  
 HOLE CHAMFER: (TOLERANCE) (DIMENSION) (UNIT)  
 HOLE TAPER: (TOLERANCE) (DIMENSION) (UNIT)  
 HOLE OFFSET: (TOLERANCE) (DIMENSION) (UNIT)  
 HOLE POSITION: (TOLERANCE) (DIMENSION) (UNIT)  
 HOLE CENTER: (TOLERANCE) (DIMENSION) (UNIT)  
 HOLE AXIS: (TOLERANCE) (DIMENSION) (UNIT)  
 HOLE ANGLE: (TOLERANCE) (DIMENSION) (UNIT)  
 HOLE SURFACE: (TOLERANCE) (DIMENSION) (UNIT)  
 HOLE FINISH: (TOLERANCE) (DIMENSION) (UNIT)

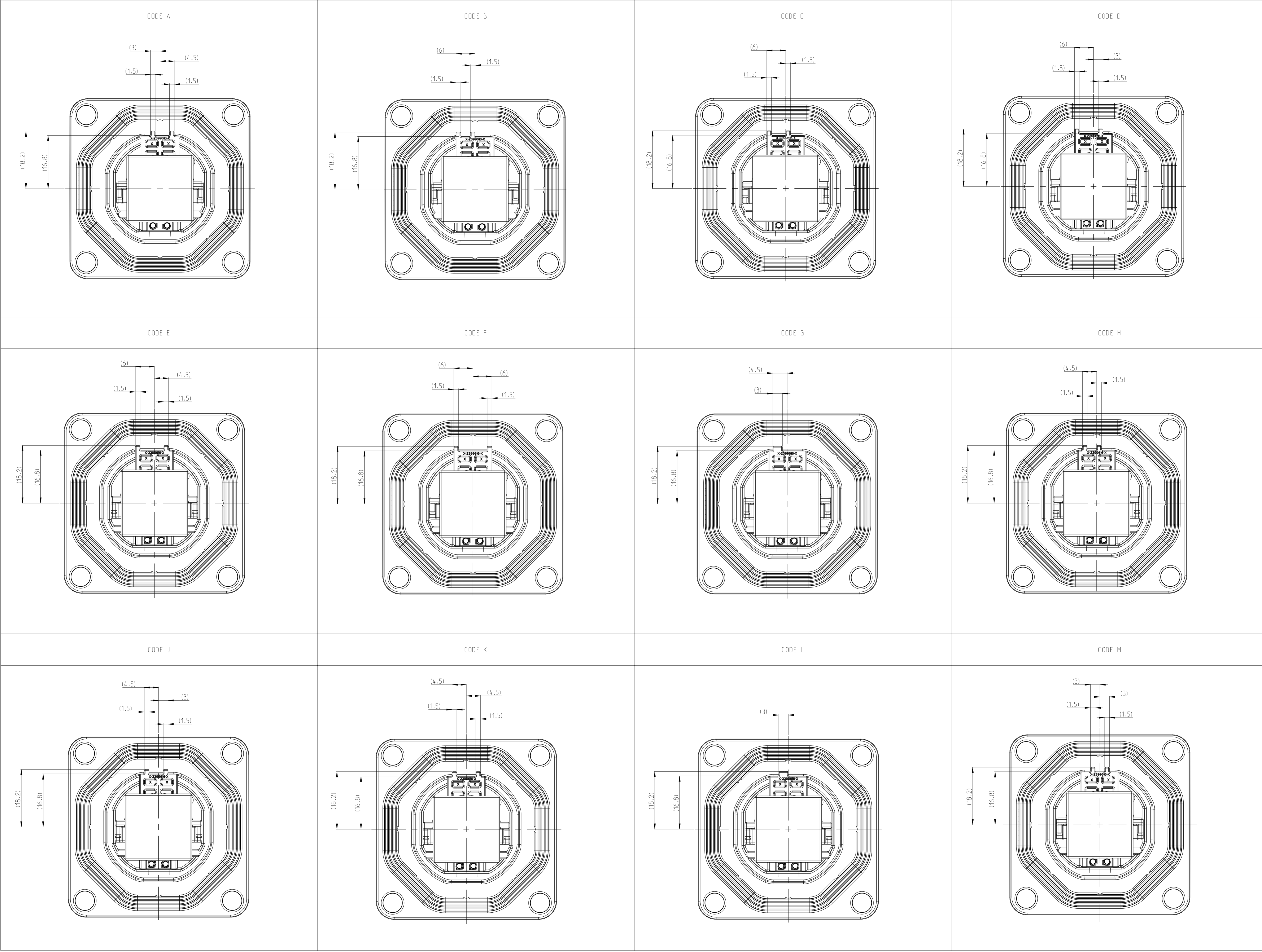
TE Connectivity  
 1POS.PIN DIA 14.0.HDR ASSY.180DEG  
 HVP-HD14.00

108-160407  
 APPLICATION SPEC: 114-160222  
 WEIGHT: SEE TABLE  
 CUSTOMER DRAWING

SCALE: 2:1  
 SHEET: 3 OF 5  
 REV: A1

REVISIONS			
P	BY	DESCRIPTION	DATE
-	-	SEE SHEET 1	-

2



printed on 20 Apr 2022 09:33 C:\hp\pds\prod\Time from 1452079

THIS DRAWING IS A CONTROLLED DOCUMENT.

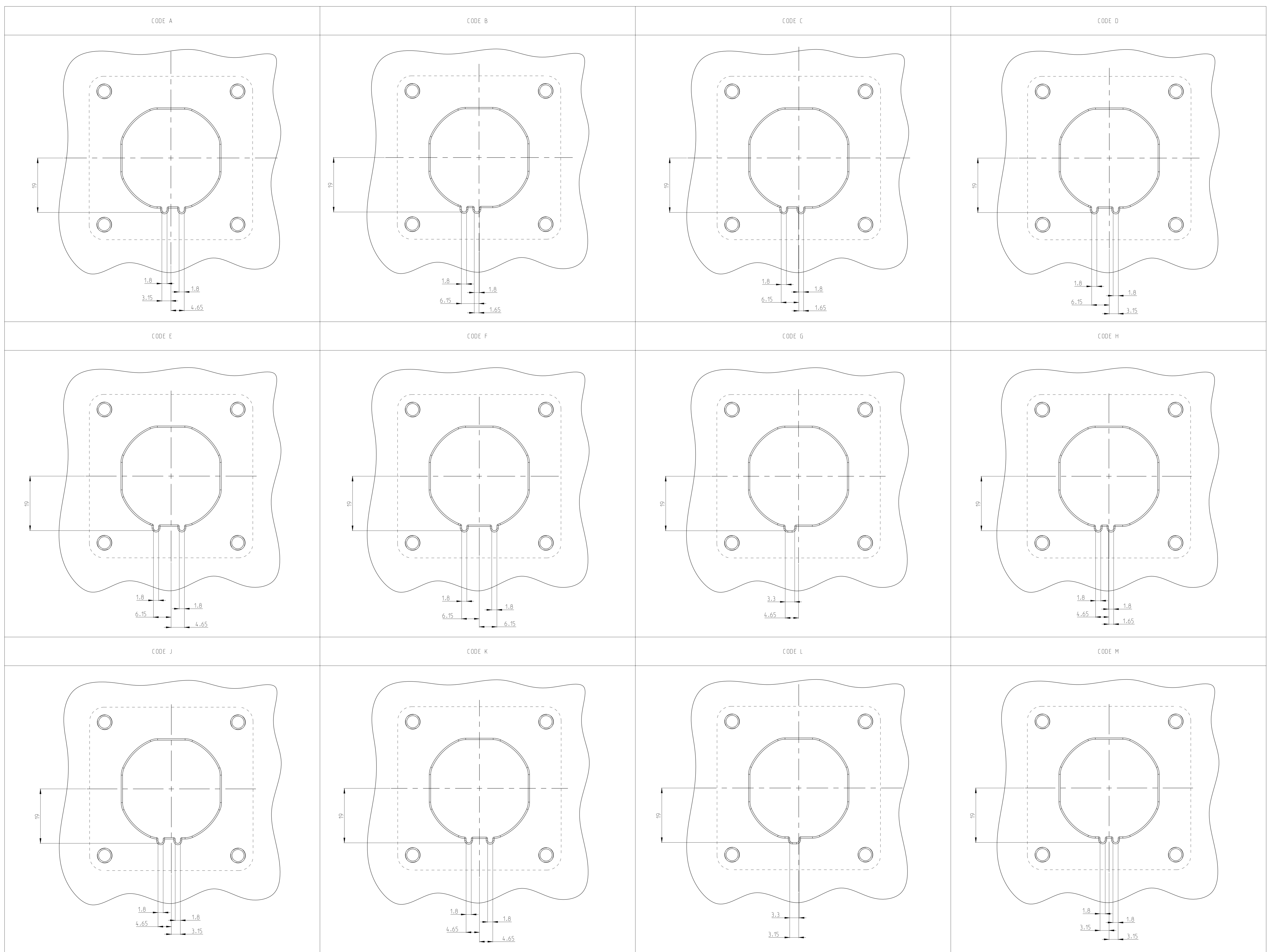
DESIGNED BY: S.TAN	DATE: 29DEC2021		<b>1POS. PIN DIA 14.0.HDR ASSY.180DEG HVP-HD14.00</b>
CHECKED BY: L.L.	DATE: 29DEC2021		
APPROVED BY: J.YIN	DATE: 29DEC2021		

DIMENSIONS:	UNLESS OTHERWISE SPECIFIED	UNIT:	MILS
1	±0.5	2	±0.1
3	±0.001	4	±0.001
5	±0.001	6	±0.001

MATERIAL:	SEE TABLE	WEIGHT:	SEE TABLE
FINISH:	SPEC 2	CUSTOMER DRAWING:	SCALE: 2:1

SIZE: A0 CASE CODE: 00779 DRAWING NO: 2399606 SHEET 4 OF 5 REV: A1

REVISIONS			
REV	DATE	BY	APPD
-	SEE SHEET 1	-	-



printed on 28 Apr 2022 09:33 C:\hp\prowire\Time from 1452079

THIS DRAWING IS A CONTROLLED DOCUMENT.		DATE: 29DEC2021	REV: 1	 TE Connectivity
DESIGNED BY: S.TAN	CHECKED BY: L.L.	DATE: 29DEC2021	REV: 1	
DRAWN BY: S.TAN	OPERATION SPEC: S.TAN	DATE: 29DEC2021	REV: 1	NAME: 1POS.PIN DIA 14.0.HDR ASSY.180DEG
DATE: 29DEC2021	PRODUCT SPEC: 108-160407	DATE: 29DEC2021	REV: 1	NAME: HVP-HD14.00
MATERIAL: SEE TABLE	APPLICATION SPEC: 114-160222	DATE: 29DEC2021	REV: 1	SIZE: A0
FINISH: SPEC 2	WEIGHT: SEE TABLE	DATE: 29DEC2021	REV: 1	CASE CODE: 00779
CUSTOMER DRAWING		SCALE: 2:1	SHEET: 5	OF: 5