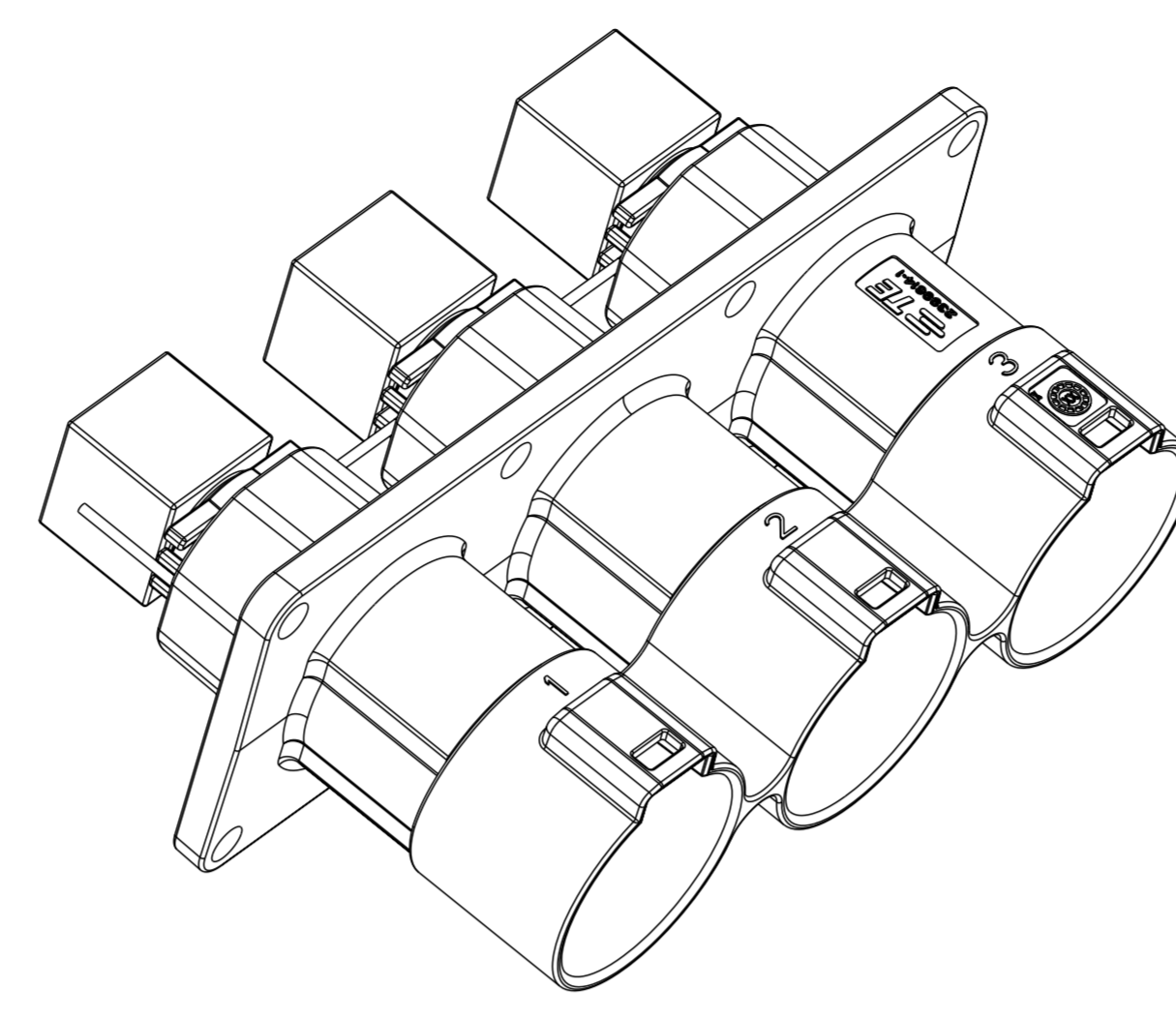
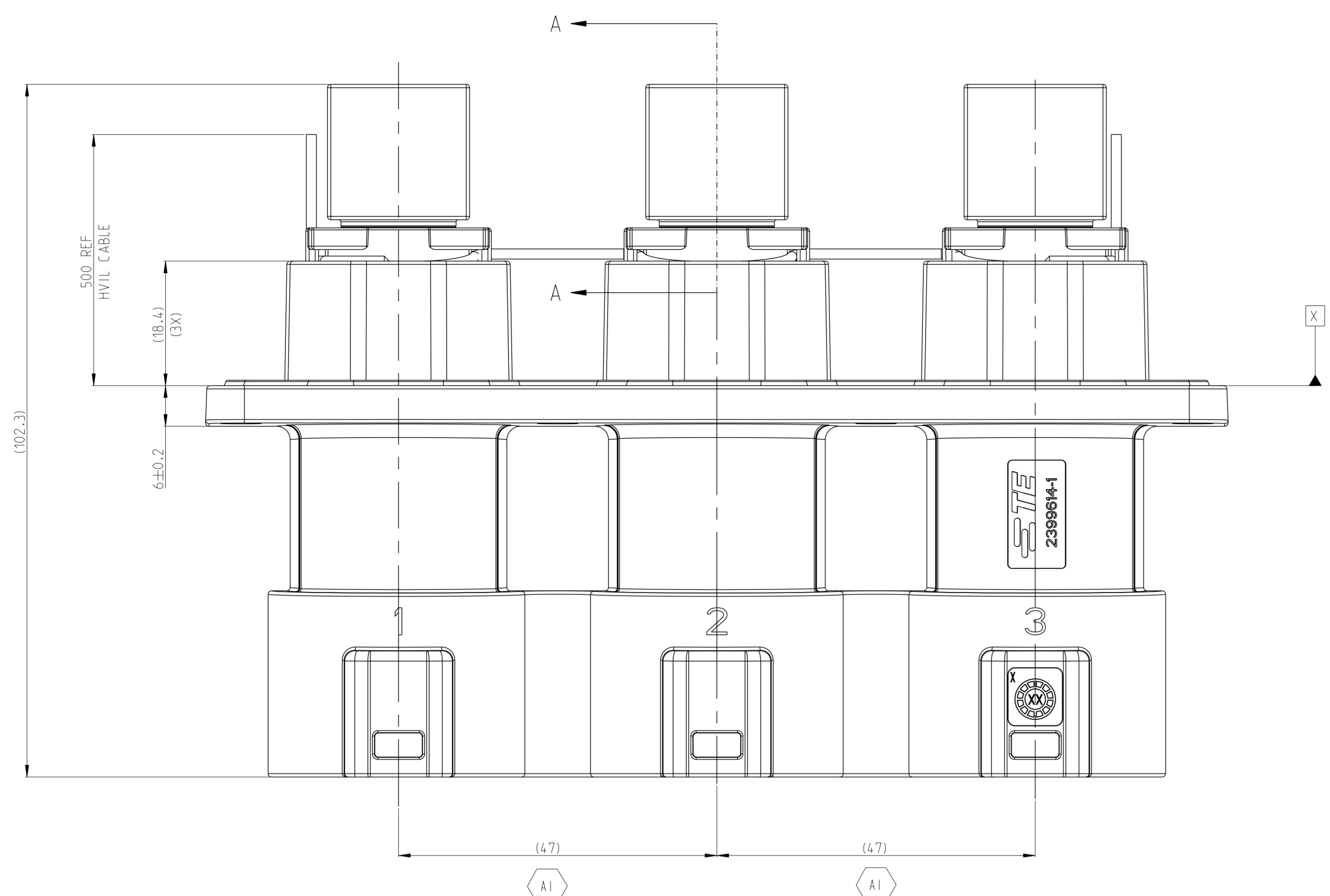
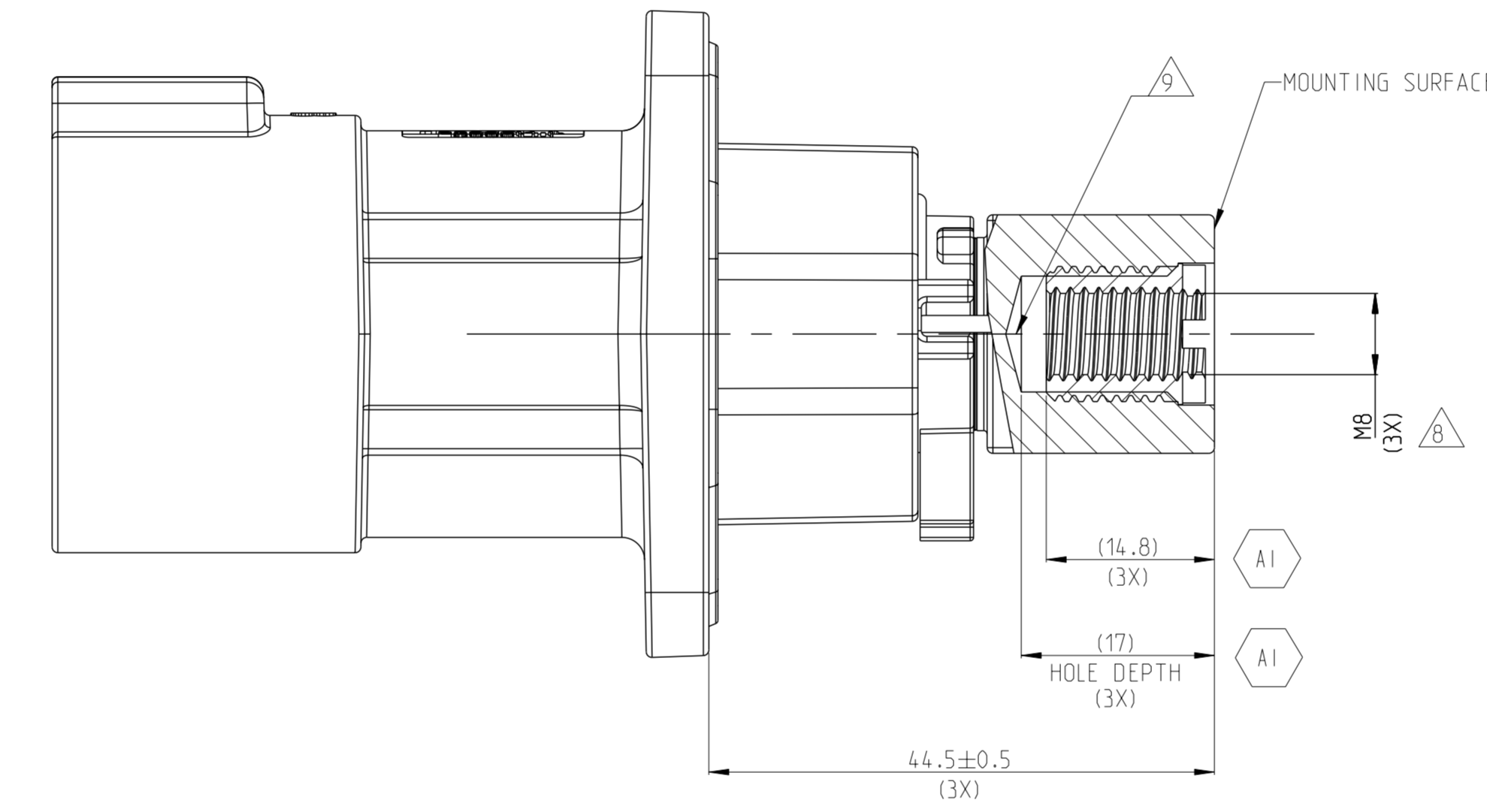
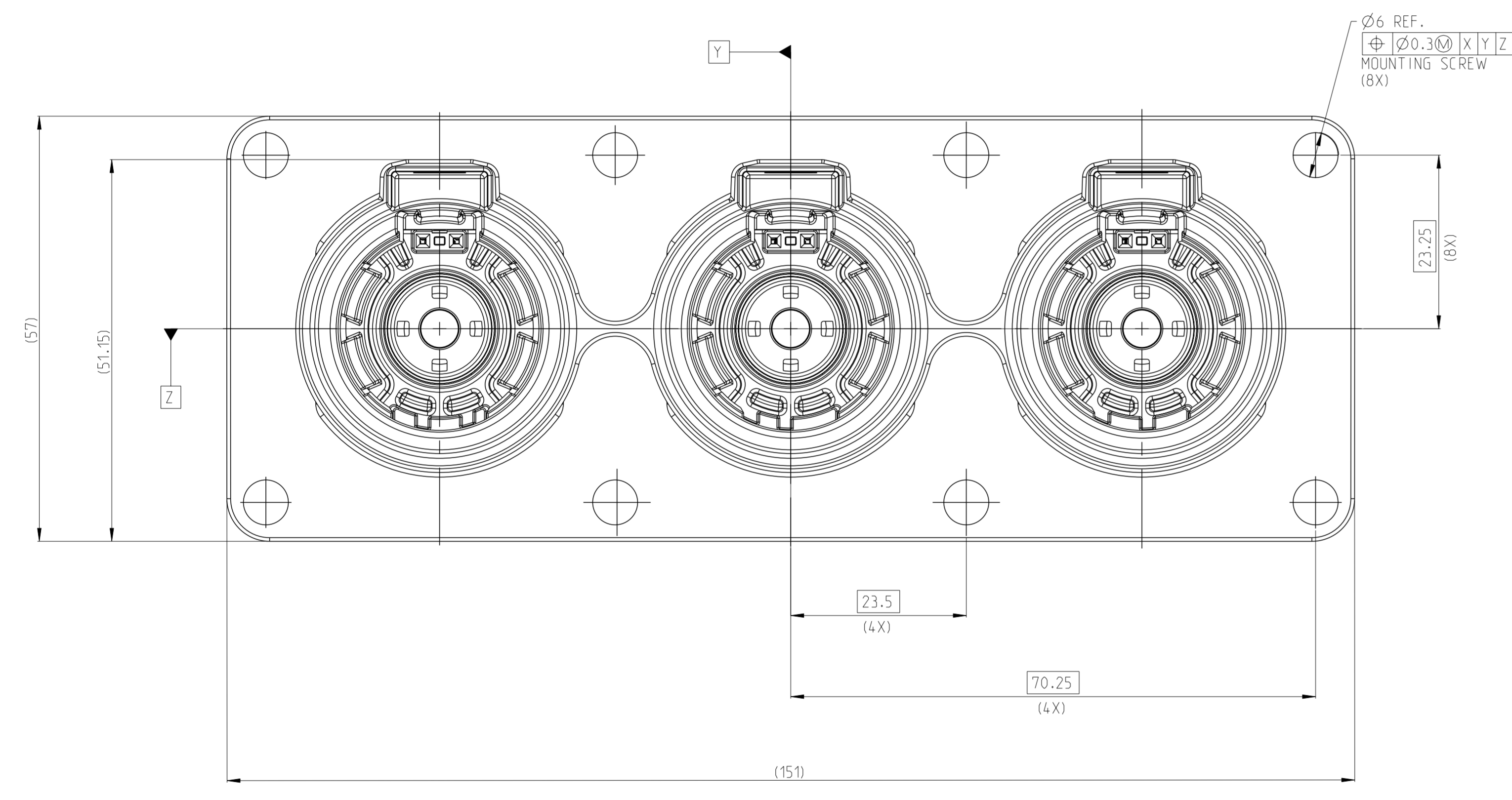


REVISIONS			
REV	DATE	BY	APPV
A	INITIAL RELEASED	29DEC2021	S.T 1.Y
A1	ECR-22-136442	MAR2022	S.T 2.Z

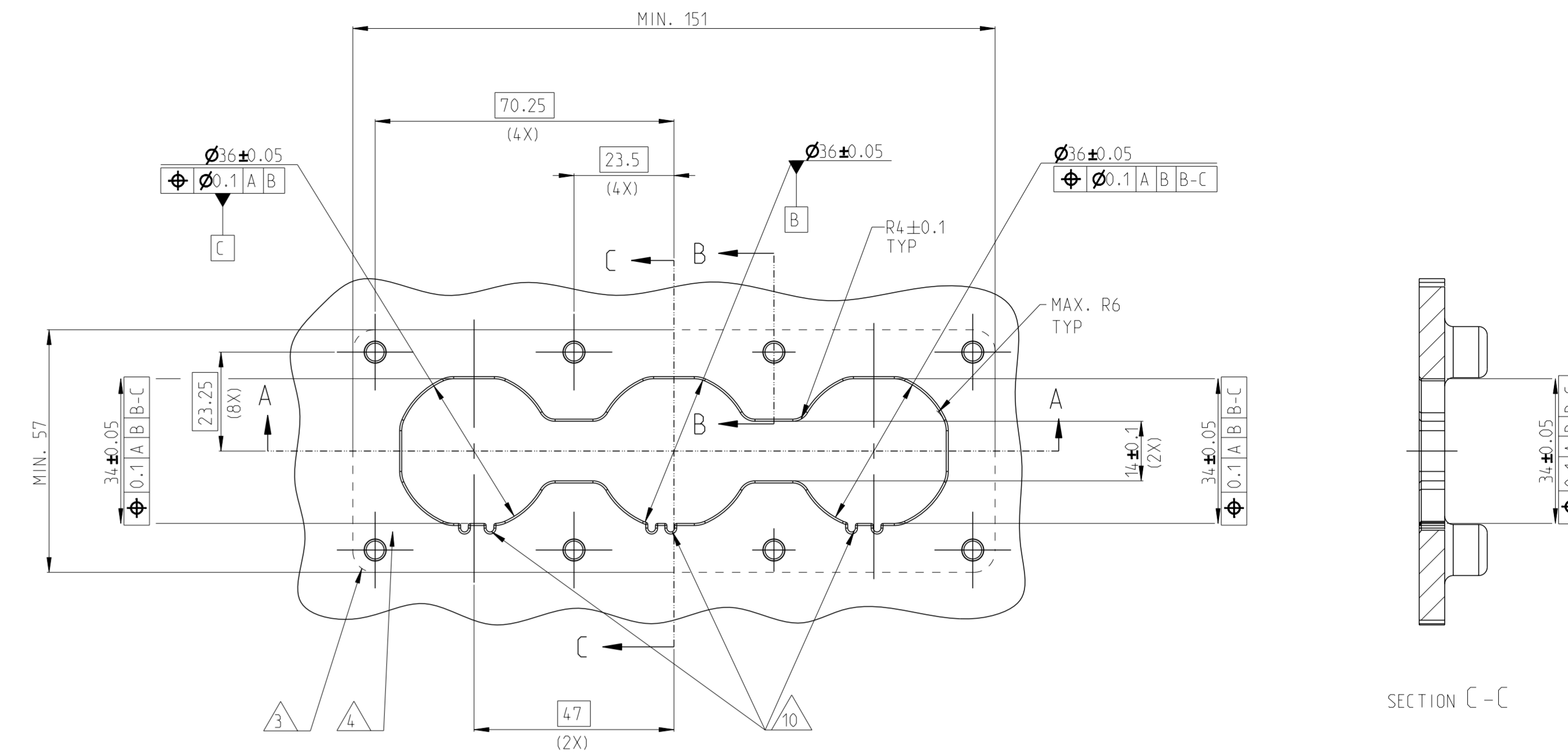


SCALE 1:1

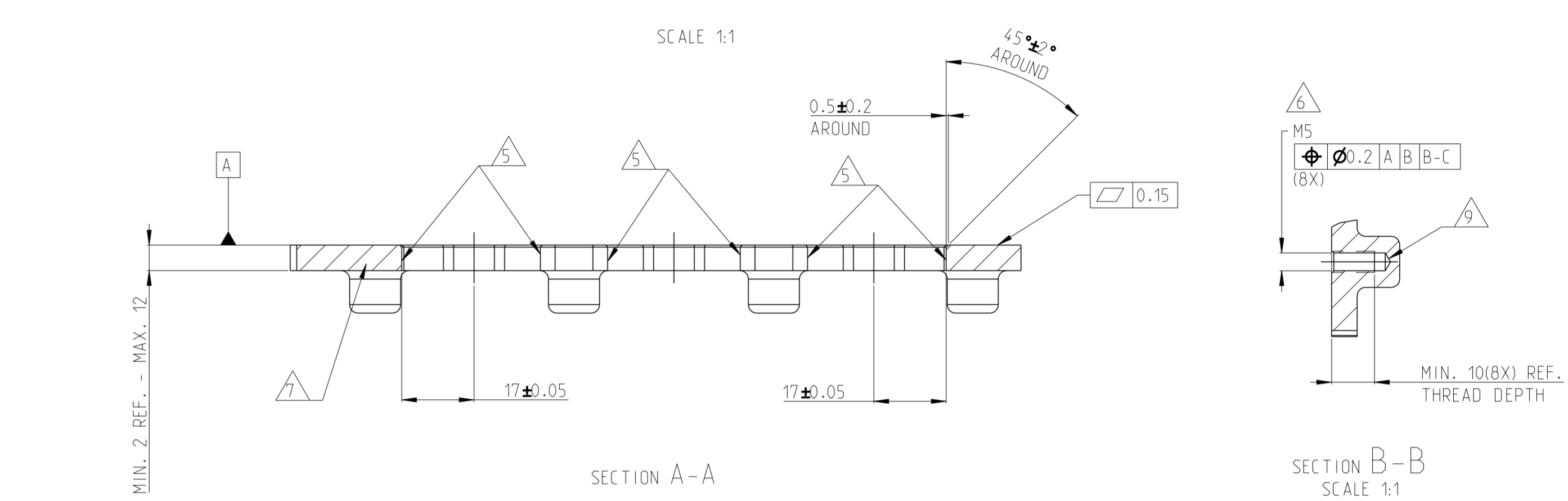


SECTION A-A

ADAPTER PLATE - HVP-HD1400 3POS HEADER INTERFACE

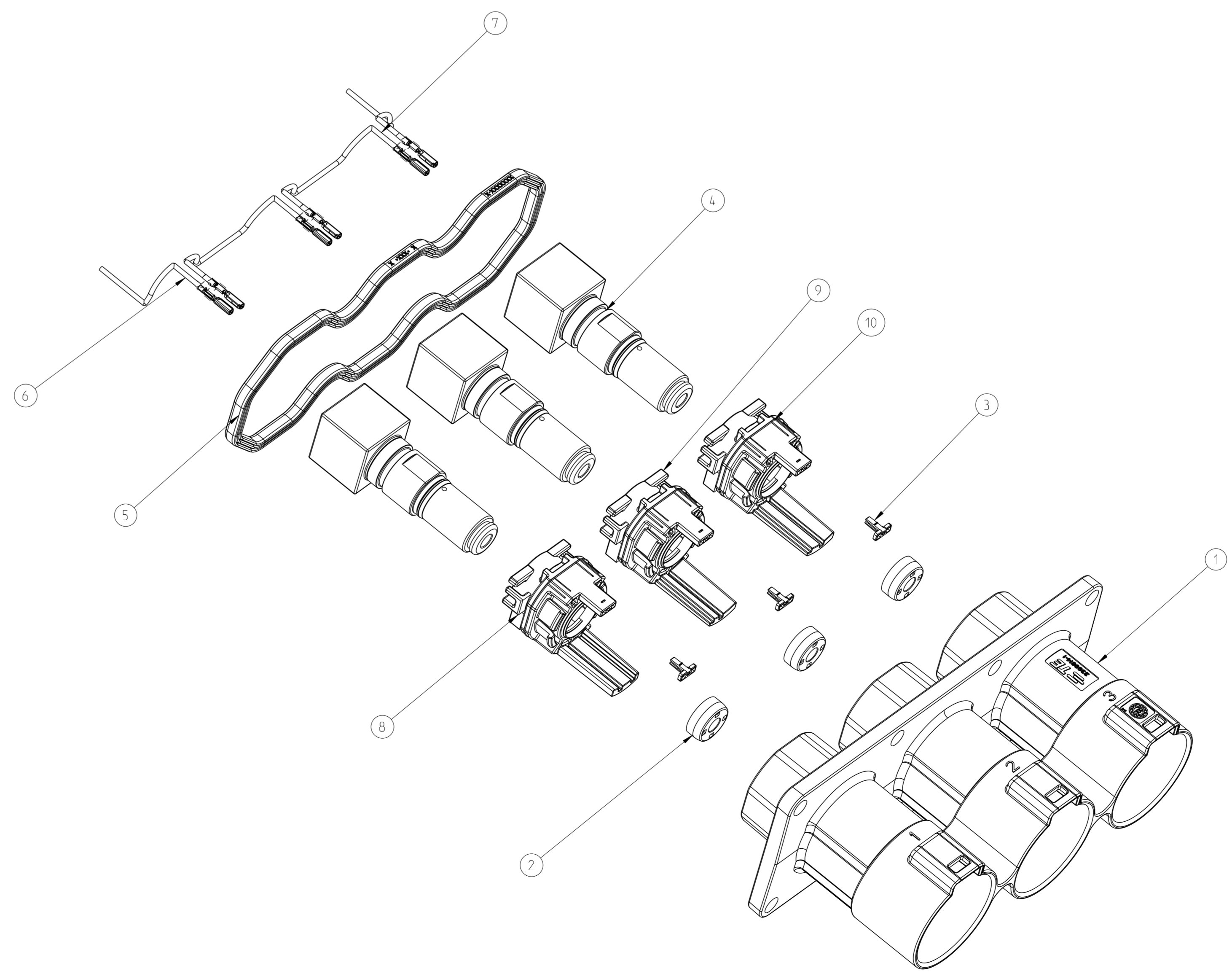


SECTION C-C



SECTION B-B SCALE 1:1

TE-ASSY-NO	CODE	DESCRIPTION	DESCRIPTION	CODE	MATERIAL	SURFACE COLOR	WEIGHT (g)	QTY	ITEM
2-2399608-4	K/L/M	3POS.PIN DIA 14.0 HDR ASSY.180DEG	CODE HOUSING	M	PA66-GF	AQUA RED	(725)	1	10
			CODE HOUSING	L	PA66-GF	AQUA BROWN		1	9
			CODE HOUSING	K	PA66-GF	AQUA GREEN		1	8
			FOLLOW 2-2399608-1	-	-	-		-	1-7
2-2399608-3	G/H/J	3POS.PIN DIA 14.0 HDR ASSY.180DEG	CODE HOUSING	J	PA66-GF	ORANGE	(725)	1	10
			CODE HOUSING	H	PA66-GF	YELLOW		1	9
			CODE HOUSING	G	PA66-GF	RED		1	8
			FOLLOW 2-2399608-1	-	-	-		-	1-7
2-2399608-2	D/E/F	3POS.PIN DIA 14.0 HDR ASSY.180DEG	CODE HOUSING	F	PA66-GF	BROWN	(725)	1	10
			CODE HOUSING	E	PA66-GF	GREEN		1	9
			CODE HOUSING	D	PA66-GF	PURPLE		1	8
			FOLLOW 2-2399608-1	-	-	-		-	1-7
2-2399608-1	A/B/C	3POS.PIN DIA 14.0 HDR ASSY.180DEG	CODE HOUSING	C	PA66-GF	BLUE	(725)	1	10
			CODE HOUSING	B	PA66-GF	NATURE		1	9
			CODE HOUSING	A	PA66-GF	BLACK		1	8
			HV INTERLOCK CABLE BRIDGED	-	-	-		2	7
			HV INTERLOCK CABLE	-	-	-		2	6
			FACE SEAL	-	SILICON	RED		1	5
			BUSBAR TOP SIDE	-	COPPER	Ag PLATED		3	4
			HEADER TPA	-	PA66-GF	RED		3	3
			FINGER PROTECTION CAP	-	PA66-GF	BLACK		3	2
			HEADER HOUSING 180DEG.3POS	-	AL-ALLOY	NICKEL PLATED		1	1



SCALE 1:1

2-1 AS SHOWN

- 1. MATING CONNECTOR REFER TO DRAWING 2400957
- △ CODING VARIANT
- △ FREE SPACE FOR HEADER
- △ SEALING AREA AND BURR TOOL PARTING, SHRINKAGE, CAVITIES AND GATE MARKS PERMITTED. SURFACE ROUGHNESS: Ra=1.6
- △ DRAFT ANGLE UP TO 0.5° PERMITTED
- △ MOUNTING SCREW MS. SCREW TYPE UP TO MANUFACTURER DRILL HOLE DESIGN ACCORDING TO SCREW TYPE
- △ MATERIAL CORROSION RESISTANT, ELECTROCONDUCTIVE
- △ SCREW MB FOR BUSBAR CONNECTION
- △ ALL THREAD HOLES ARE BLIND HOLES
- △ INTERFACE PANEL CODE SEE SHEET 4

THIS DRAWING IS A CONTROLLED DOCUMENT.

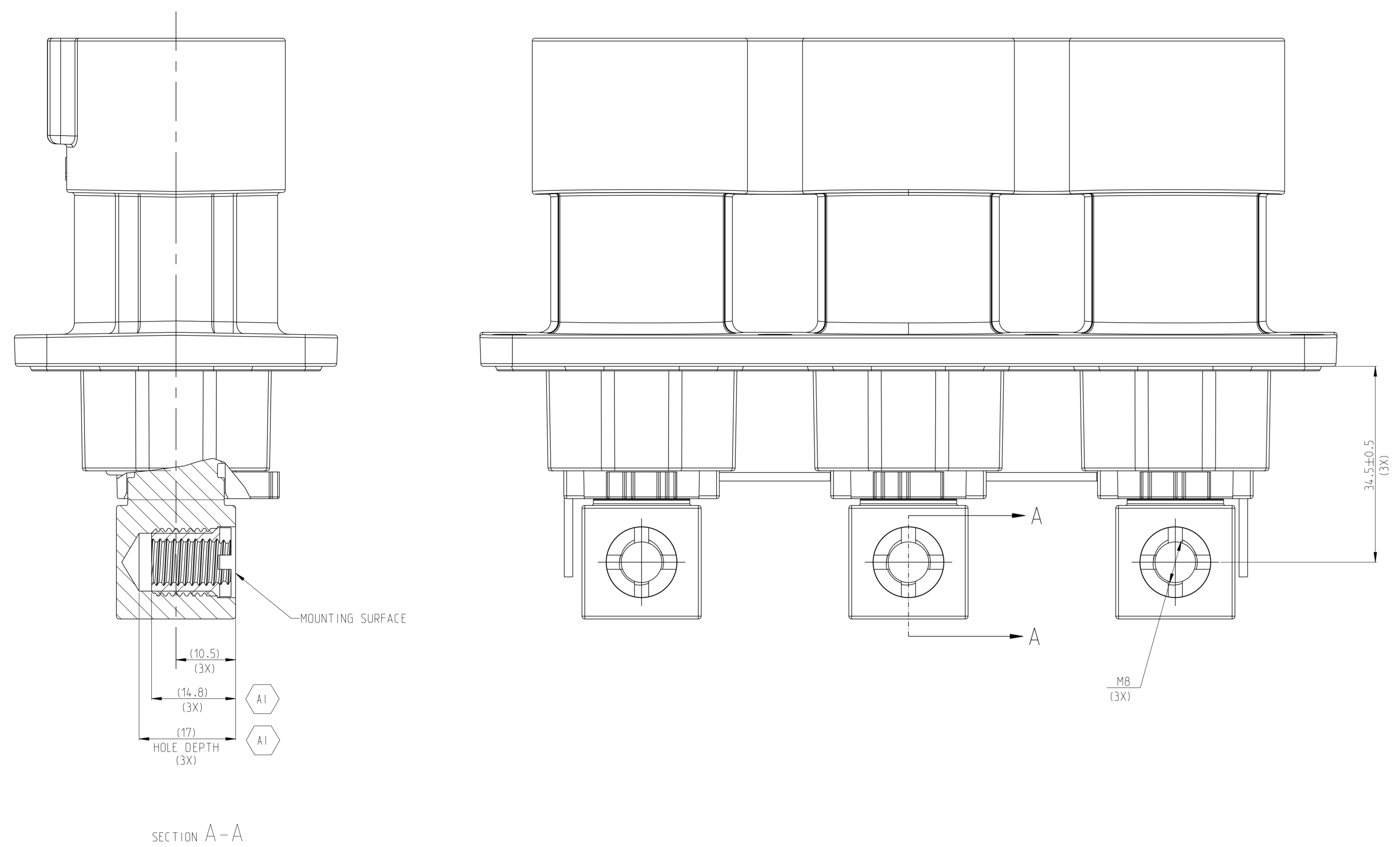
DATE: 29DEC2021	REV: 1	BY: S.TAN	CHK: J.L.L.
DATE: 29DEC2021	REV: 1	BY: S.TAN	CHK: J.L.L.
DATE: 29DEC2021	REV: 1	BY: S.TAN	CHK: J.L.L.

PRODUCT SPEC: 108-160407  
APPLICATION SPEC: 114-160222

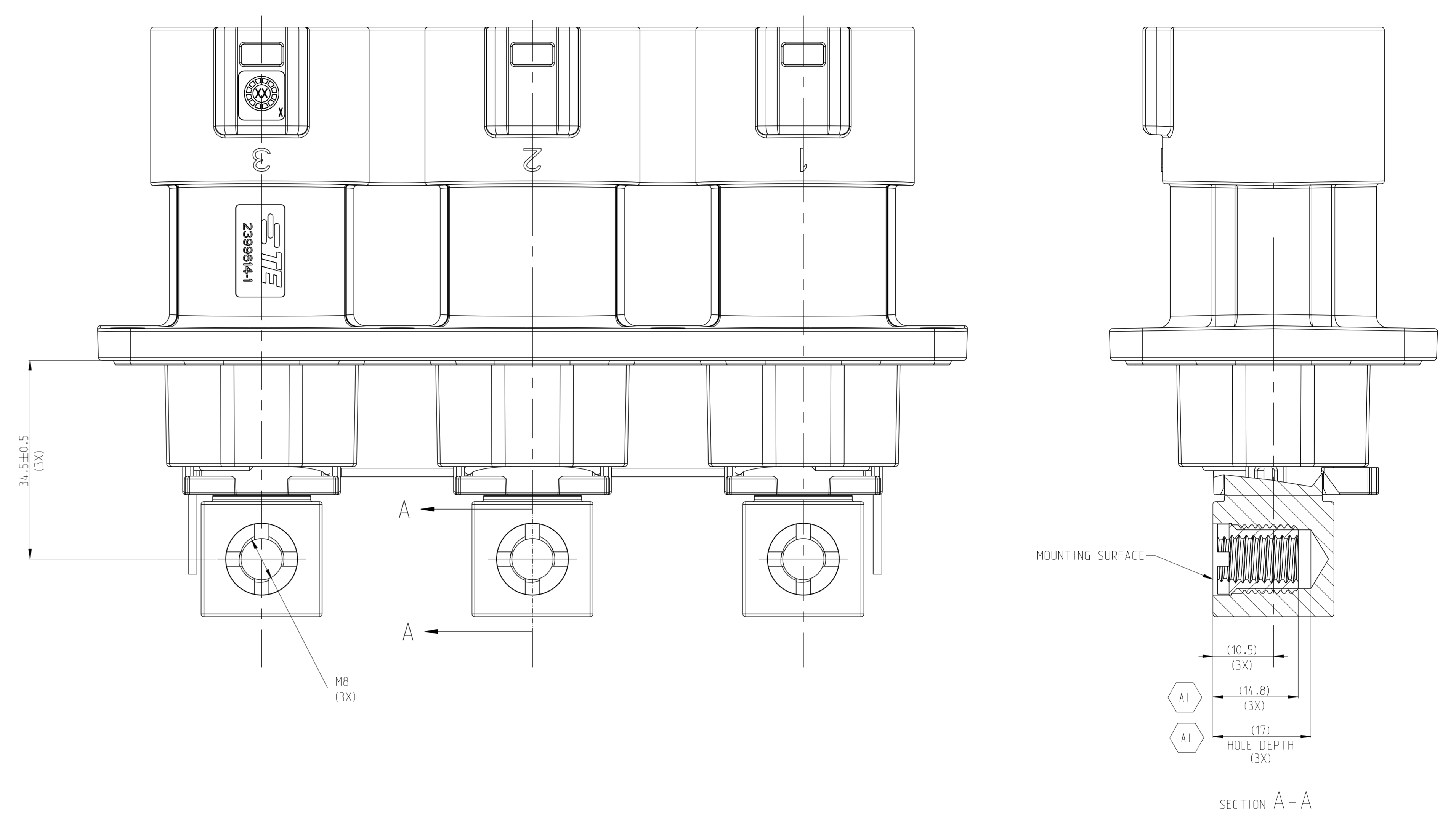
SCALE: 2:1 SHEET 1 OF 4

TE Connectivity  
3POS.PIN DIA 14.0 HDR ASSY.180DEG  
HVP-HD1400

REVISIONS			
REV	DATE	BY	APPD
-	-	-	-
-	-	-	-
-	-	-	-



1.MISSING DIMENSIONS ACC.TO 2-2399608-1



1.MISSING DIMENSIONS ACC.TO 2-2399608-1

TE-ASSY-NO	CODE	DESCRIPTION	DESCRIPTION	CODE	MATERIAL	SURFACE COLOR	WEIGHT (g)	QTY	ITEM
2399608-4	K/L/M	3POS,PIN DIA 14.0 HDR ASSY,180DEG	CODE HOUSING	M	PA66-GF	AQUA RED	(725)	1	10
			CODE HOUSING	L	PA66-GF	AQUA BROWN		1	9
			CODE HOUSING	K	PA66-GF	AQUA GREEN		1	8
			FOLLOW 2399608-1	-	-	-		-	1-7
2399608-3	G/H/J	3POS,PIN DIA 14.0 HDR ASSY,180DEG	CODE HOUSING	J	PA66-GF	ORANGE	(725)	1	10
			CODE HOUSING	H	PA66-GF	YELLOW		1	9
			CODE HOUSING	G	PA66-GF	RED		1	8
			FOLLOW 2399608-1	-	-	-		-	1-7
2399608-2	D/E/F	3POS,PIN DIA 14.0 HDR ASSY,180DEG	CODE HOUSING	F	PA66-GF	BROWN	(725)	1	10
			CODE HOUSING	E	PA66-GF	GREEN		1	9
			CODE HOUSING	D	PA66-GF	PURPLE		1	8
			FOLLOW 2399608-1	-	-	-		-	1-7
2399608-1	A/B/C	3POS,PIN DIA 14.0 HDR ASSY,180DEG	CODE HOUSING	C	PA66-GF	BLUE	(725)	1	10
			CODE HOUSING	B	PA66-GF	NATURE		1	9
			CODE HOUSING	A	PA66-GF	BLACK		1	8
			HV INTERLOCK CABLE, BRIDGED	-	-	-		2	7
			HV INTERLOCK CABLE	-	-	-		2	6
			FACE SEAL	-	SILICON	RED		1	5
			BUSBAR, FRONT SIDE	-	COPPER	Ag PLATED		3	4
			HEADER TPA	-	PA66-GF	RED		3	3
			FINGER PROTECTION CAP	-	PA66-GF	BLACK		3	2
			HEADER HOUSING 180DEG, 3POS	-	AL-ALLOY	NICKEL PLATED		1	1

TE-ASSY-NO	CODE	DESCRIPTION	DESCRIPTION	CODE	MATERIAL	SURFACE COLOR	WEIGHT (g)	QTY	ITEM
1-2399608-4	K/L/M	3POS,PIN DIA 14.0 HDR ASSY,180DEG	CODE HOUSING	M	PA66-GF	AQUA RED	(725)	1	10
			CODE HOUSING	L	PA66-GF	AQUA BROWN		1	9
			CODE HOUSING	K	PA66-GF	AQUA GREEN		1	8
			FOLLOW 1-2399608-1	-	-	-		-	1-7
1-2399608-3	G/H/J	3POS,PIN DIA 14.0 HDR ASSY,180DEG	CODE HOUSING	J	PA66-GF	ORANGE	(725)	1	10
			CODE HOUSING	H	PA66-GF	YELLOW		1	9
			CODE HOUSING	G	PA66-GF	RED		1	8
			FOLLOW 1-2399608-1	-	-	-		-	1-7
1-2399608-2	D/E/F	3POS,PIN DIA 14.0 HDR ASSY,180DEG	CODE HOUSING	F	PA66-GF	BROWN	(725)	1	10
			CODE HOUSING	E	PA66-GF	GREEN		1	9
			CODE HOUSING	D	PA66-GF	PURPLE		1	8
			FOLLOW 1-2399608-1	-	-	-		-	1-7
1-2399608-1	A/B/C	3POS,PIN DIA 14.0 HDR ASSY,180DEG	CODE HOUSING	C	PA66-GF	BLUE	(725)	1	10
			CODE HOUSING	B	PA66-GF	NATURE		1	9
			CODE HOUSING	A	PA66-GF	BLACK		1	8
			HV INTERLOCK CABLE, BRIDGED	-	-	-		2	7
			HV INTERLOCK CABLE	-	-	-		2	6
			FACE SEAL	-	SILICON	RED		1	5
			BUSBAR, BACK SIDE	-	COPPER	Ag PLATED		3	4
			HEADER TPA	-	PA66-GF	RED		3	3
			FINGER PROTECTION CAP	-	PA66-GF	BLACK		3	2
			HEADER HOUSING 180DEG, 3POS	-	AL-ALLOY	NICKEL PLATED		1	1

THIS DRAWING IS A CONTROLLED DOCUMENT.

DATE: 29DEC2021  
 CHK: J.L.L.  
 DATE: 29DEC2021  
 DATE: 29DEC2021

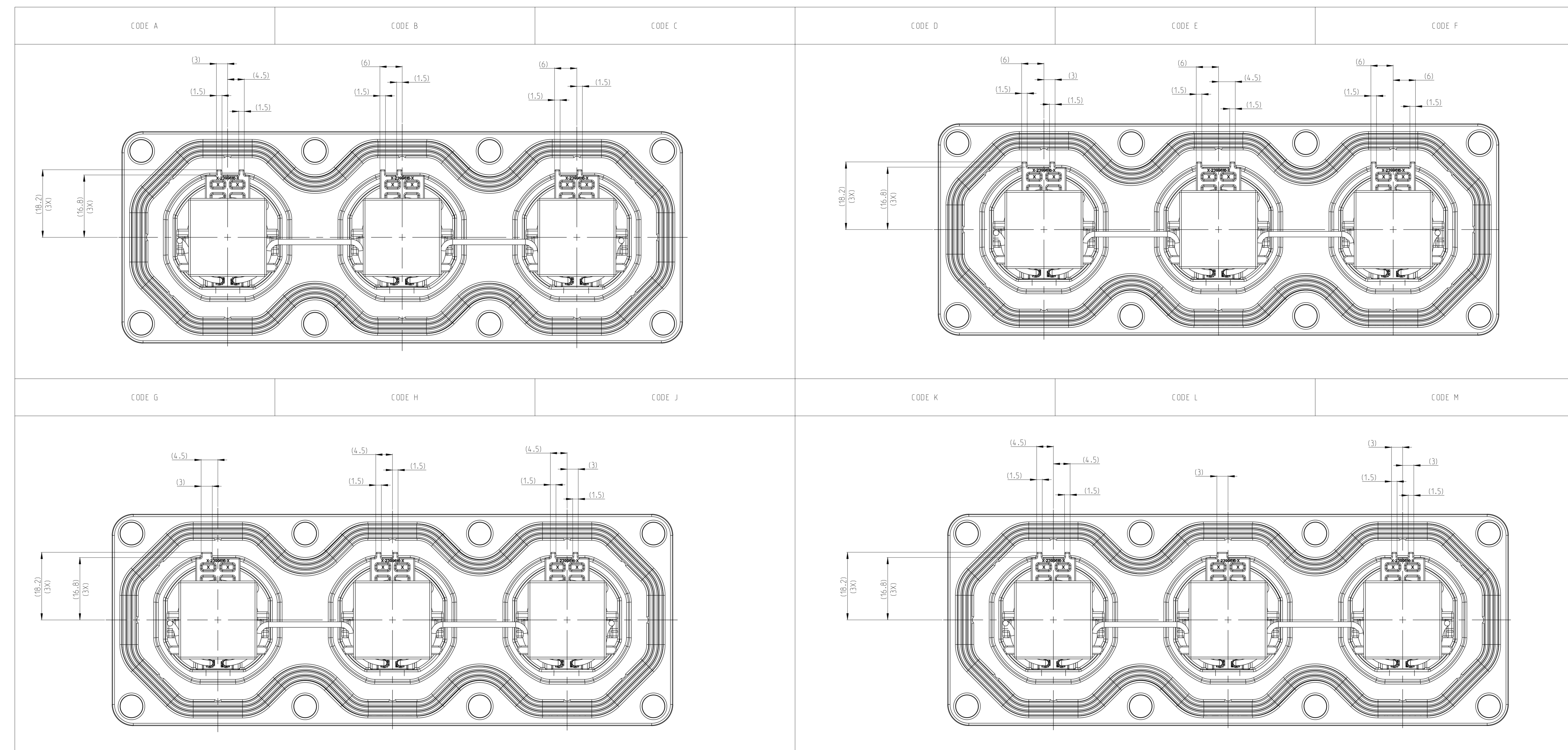
TE Connectivity

3POS,PIN DIA 14.0 HDR ASSY,180DEG  
 HVP-HD 14.00

108-160407  
 114-160222

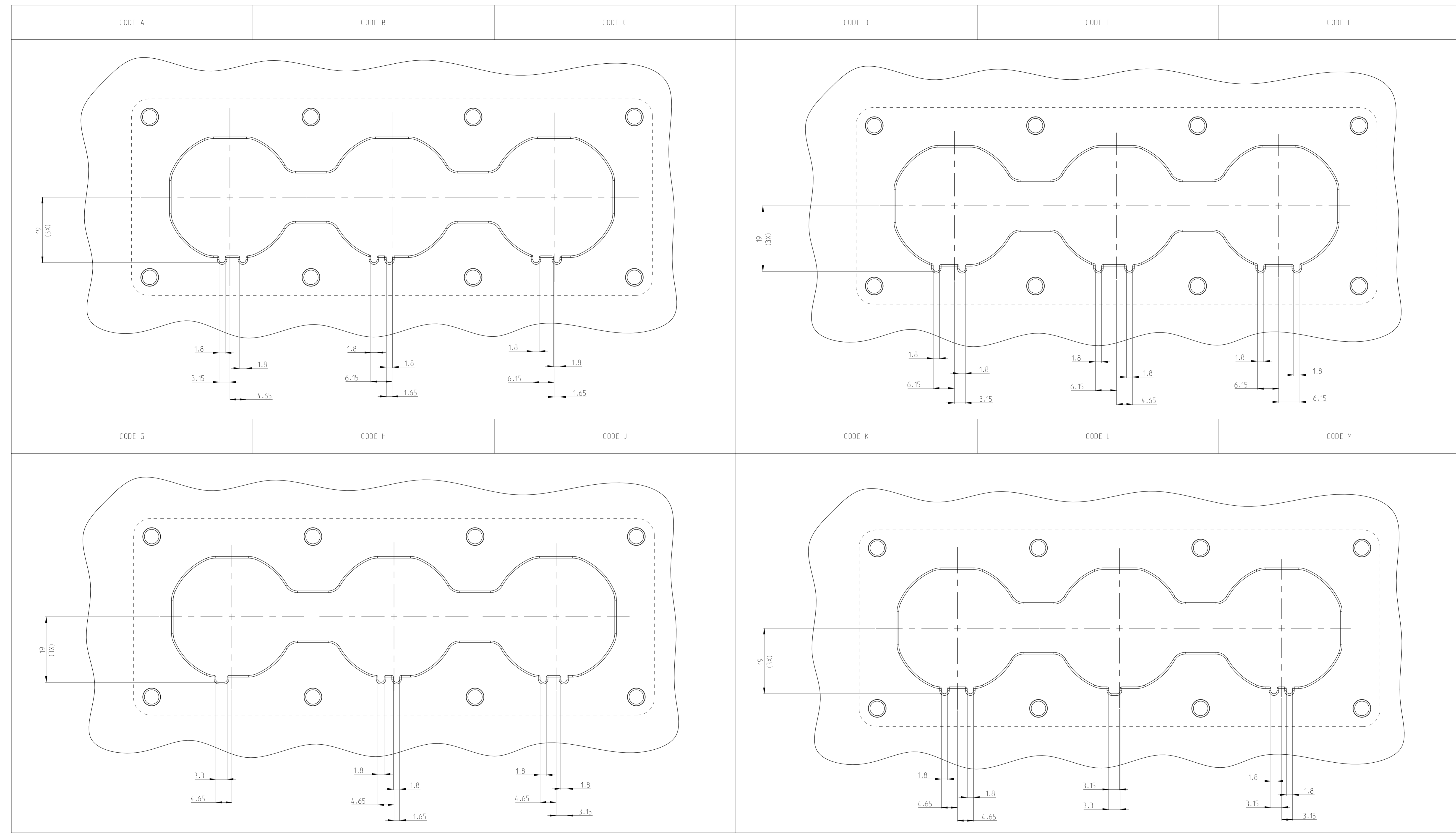
SCALE: 2:1  
 SHEET: 2 of 4  
 REV: A1

REVISIONS			
REV	DATE	BY	APPD
-	-	-	-
-	-	-	-
-	-	-	-



THIS DRAWING IS A CONTROLLED DOCUMENT.		REV: S.TAN 29DEC2021	 TE Connectivity
DIMENSIONS UNLESS OTHERWISE SPECIFIED:		CHK: J.L.L. 29DEC2021	
DIM: ±0.5 1 P.C. ±0.1 2 P.C. ±0.05 3 P.C. ±0.025 4 P.C. ±0.015 5 P.C. ±0.01 6 P.C. ±0.005	TOLERANCES UNLESS OTHERWISE SPECIFIED: DIM: ±0.5 1 P.C. ±0.1 2 P.C. ±0.05 3 P.C. ±0.025 4 P.C. ±0.015 5 P.C. ±0.01 6 P.C. ±0.005	DATE: 29DEC2021 NAME: 3POS.PIN DIA 14.0.HDR ASSY.180DEG HVP-HD 14.00	SIZE: A0 CASE CODE: 00779 DRAWING NO: 2399608
MATERIAL: SEE TABLE	FINISH: SDRCS	WEIGHT: SEE TABLE	RESTRICTED TO: -
CUSTOMER DRAWING		SCALE: 2:1	SHEET 3 OF 4 REV A1

REVISIONS			
REV	DATE	DESCRIPTION	BY
1		SEE SHEET 1	



printed on 20 Dec 2022 09:13 (C:\hp\pwork\114-160222) Time: 15:50:39

THIS DRAWING IS A CONTROLLED DOCUMENT.

DATE: 29DEC2021	BY: S.TAN
DATE: 29DEC2021	CHK: J.LL
DATE: 29DEC2021	APPV: J.VIN
PRODUCT SPEC: 108-160407	NAME: 3POS.PIN DIA 14.0.HDR ASSY.180DEG
APPLICATION SPEC: 114-160222	NAME: HVP-HD 14.00
WEIGHT: SEE TABLE	SIZE: A0
CUSTOMER DRAWING	SCALE: 2:1

STC TE Connectivity

RESTRICTED TO: -

4866 13/131