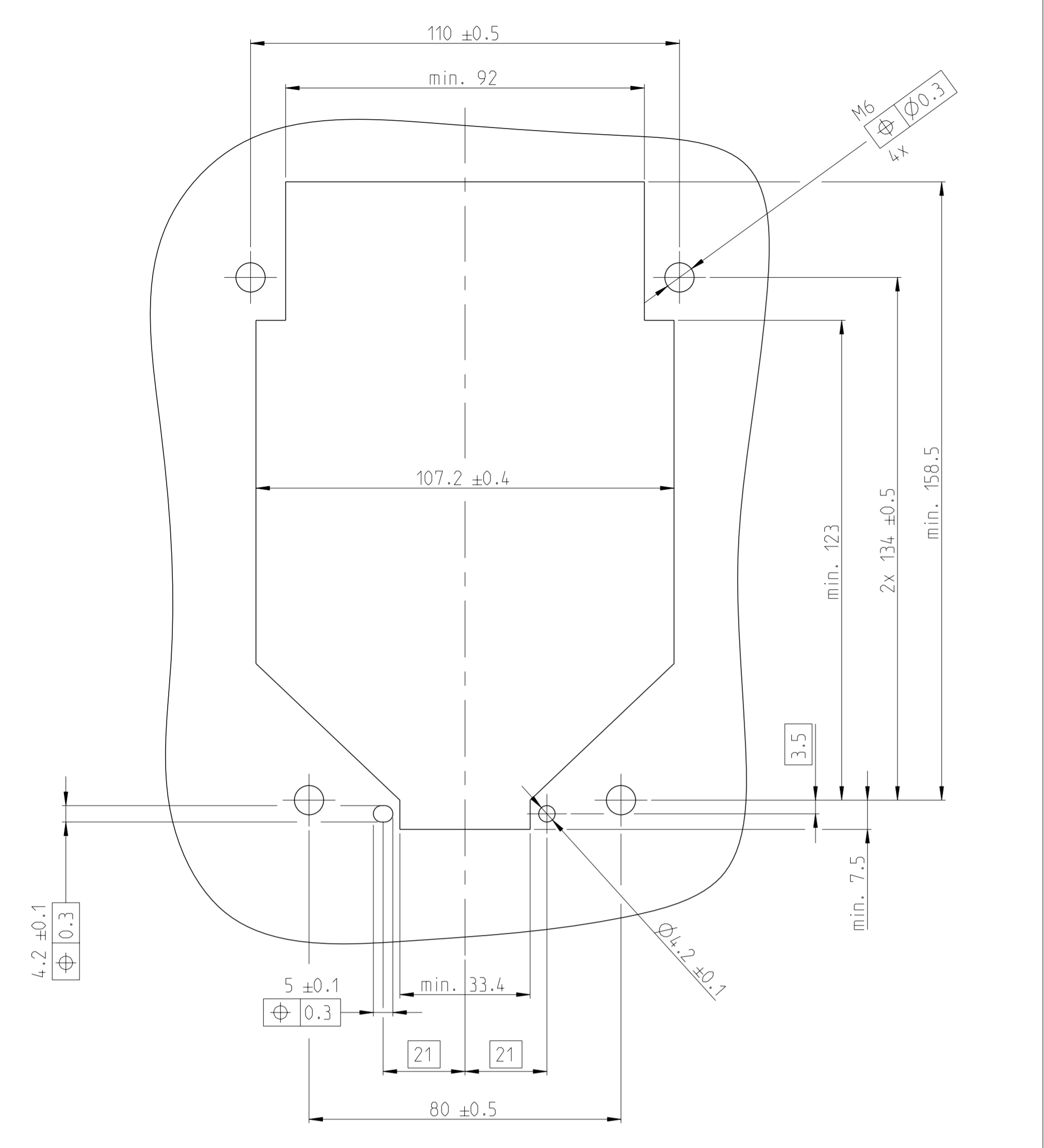
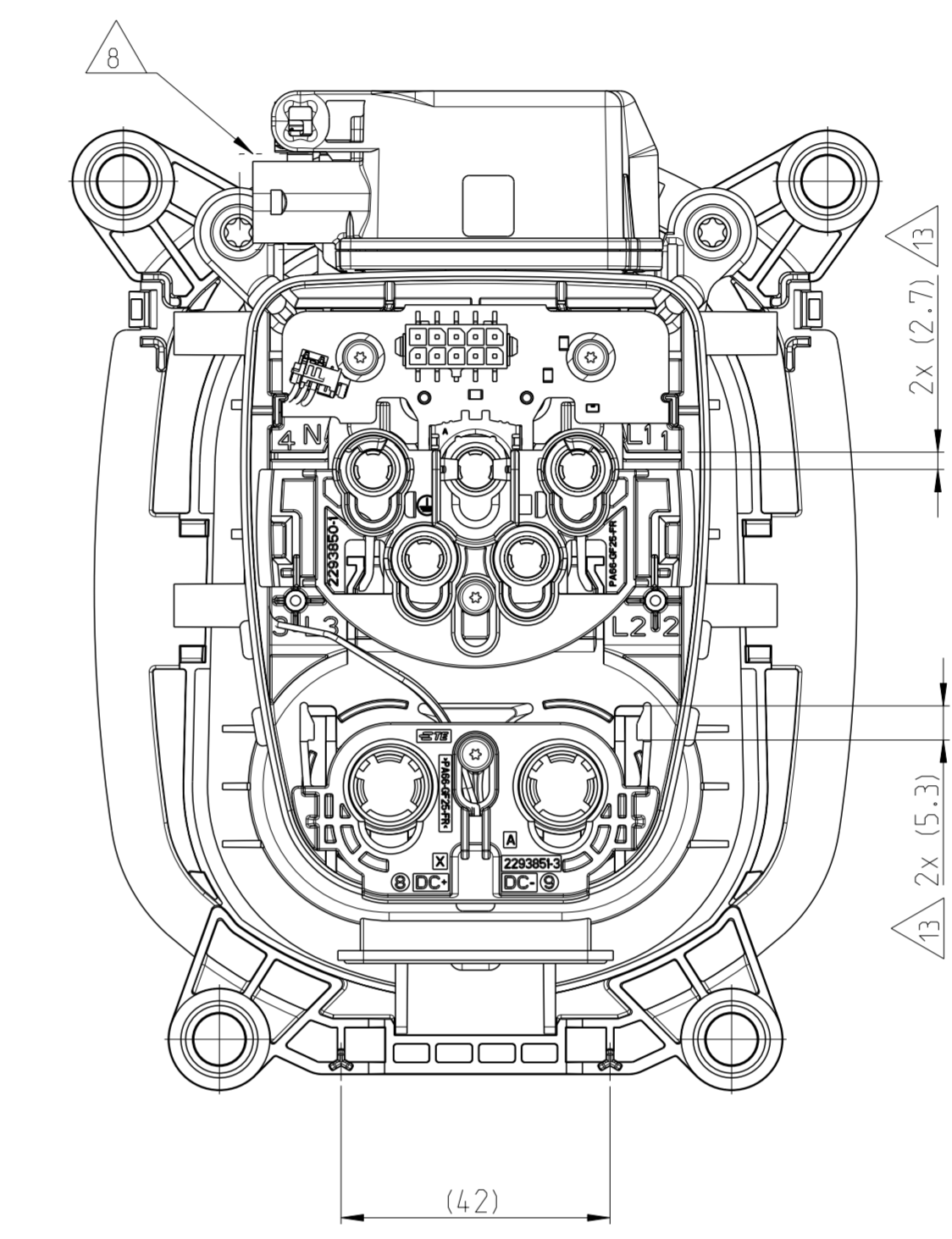
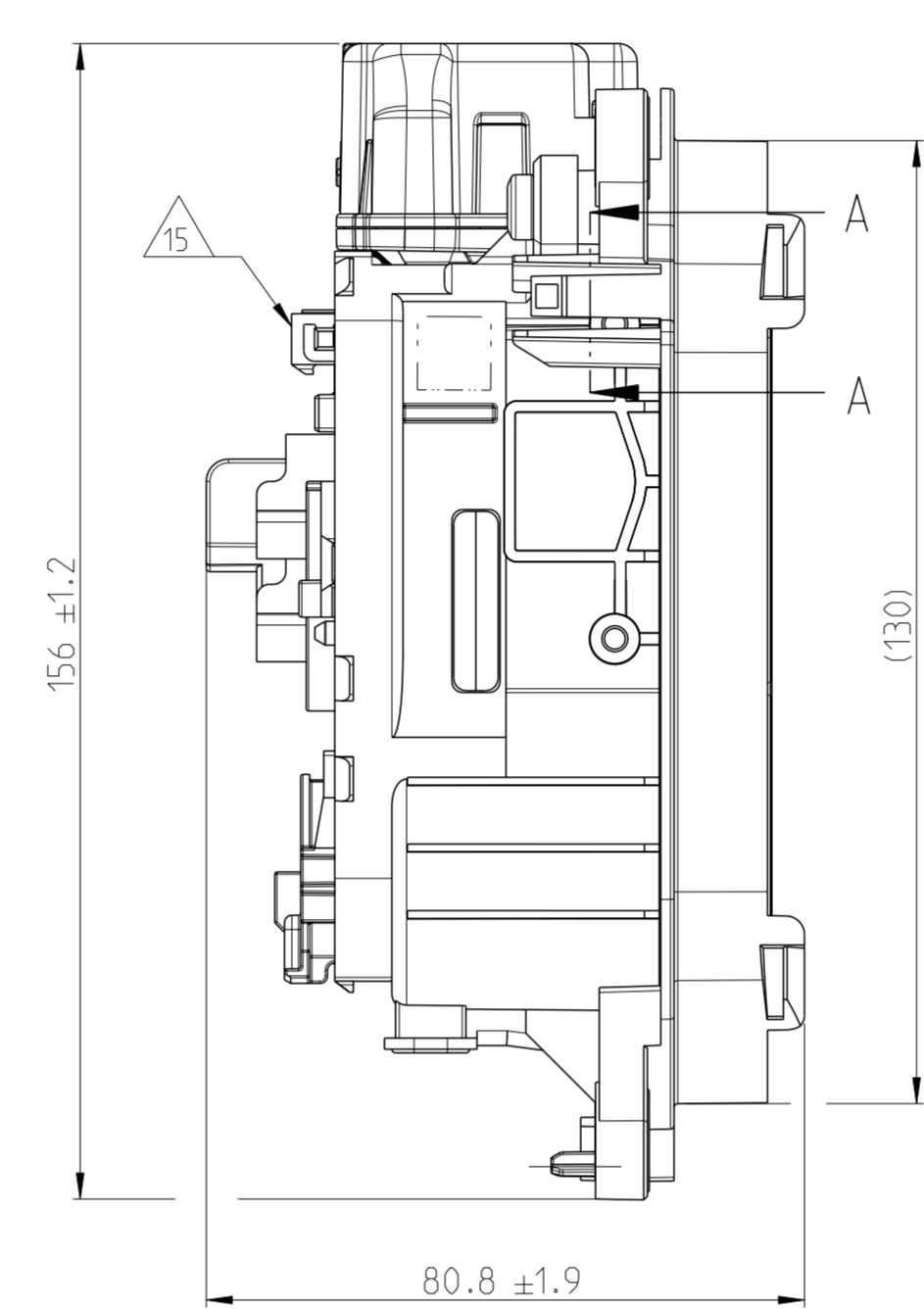
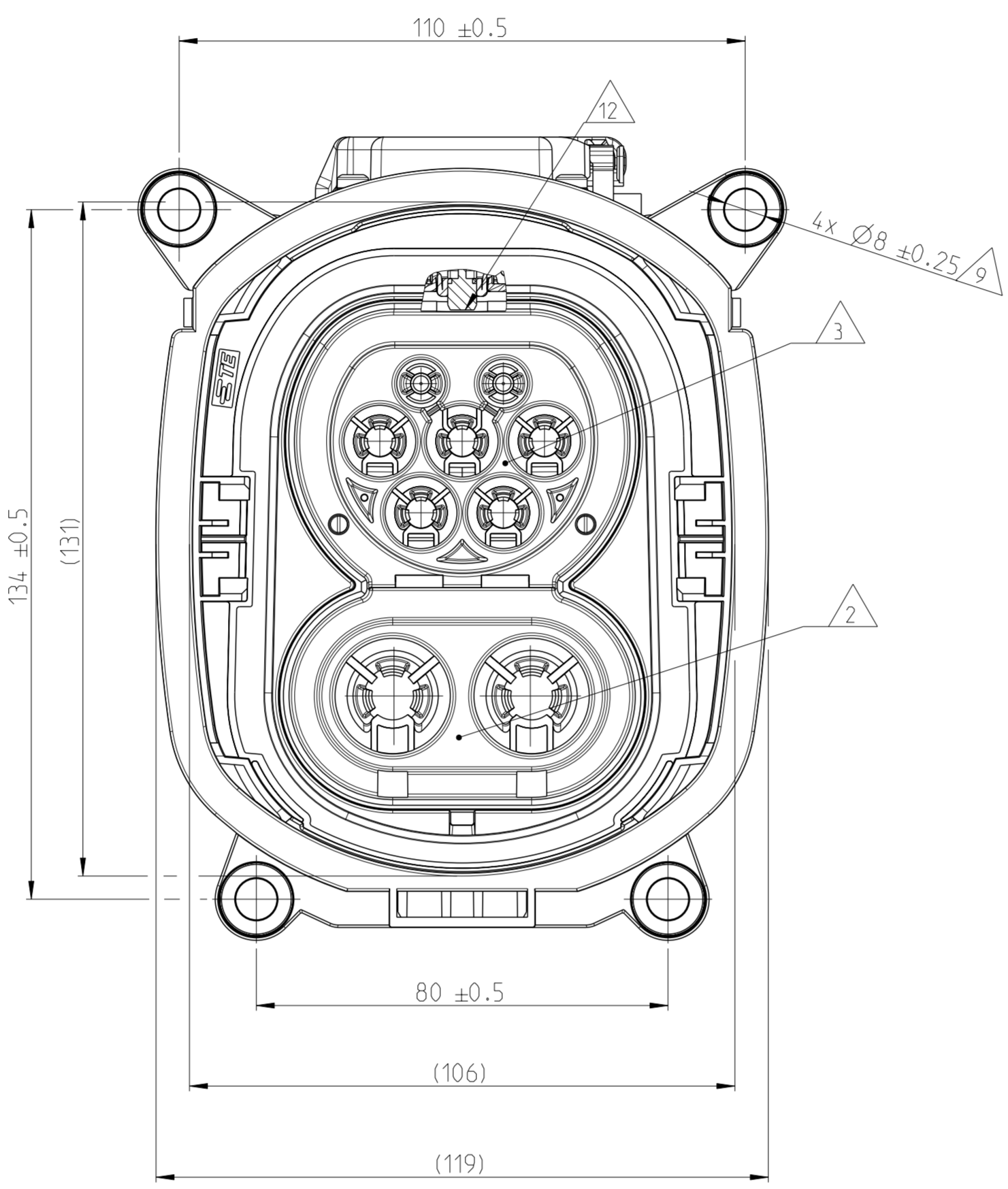


REQUIREMENT FOR MOUNTING PLATE



A-A

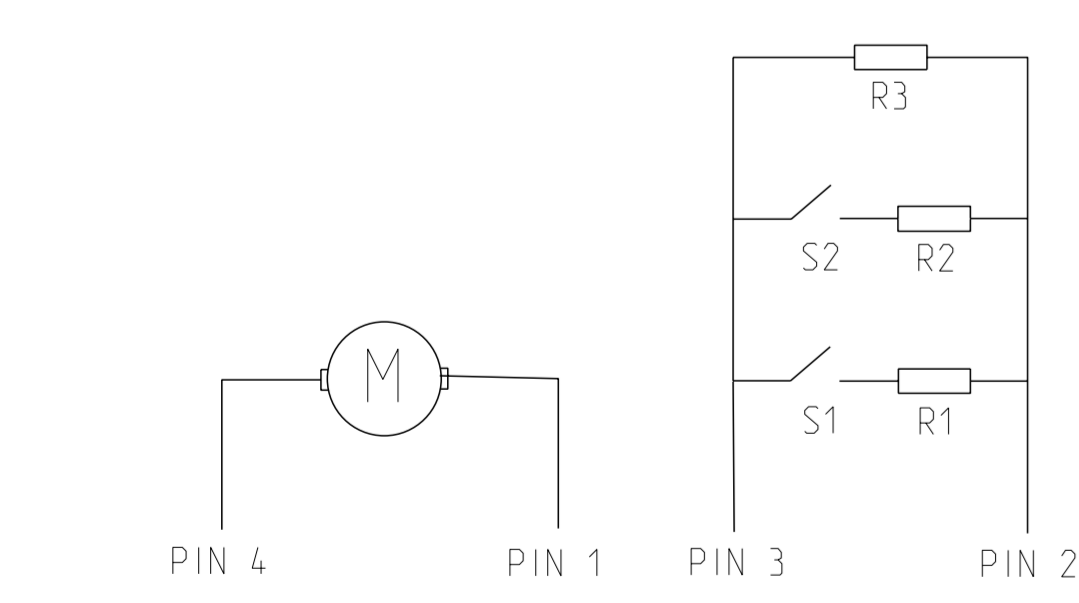


- NOTES**
- 1 CHARGE INLET SIMILAR TO IEC62196-3.CCS 2. SHEET 3-IVa
 - 2 CHARGE INLET SIMILAR TO IEC62196-2.TYPE 11. SHEET 2-III
 - 3 SPECIFIED IN PRODUCT SPECIFICATION 108-94778
 - 6 COMPATIBLE PCB CONNECTOR: PN 1-794617-0 WITH TERMINAL PN 0-794606-1
 - 7 FUNCTIONAL AND ELECTRICAL REQUIREMENTS OF ACTUATOR SEE SPECIFICATION 108-94519
 - 8 COMPATIBLE CONNECTOR FOR ACTUATOR: 1-967640-1
 - 9 APPLICABLE SCREWS FOR MOUNTING. HEAD DIAMETER MIN. 10.5mm. TORQUE 6Nm±0.9Nm FOR M6 SCREWS
 - 12 DELIVERY CONDITION OF ACTUATOR: IN BASE POSITION
 - 13 DELIVERY CONDITION SEC. LOCKS IN PRELOCK POSITION
 - 15 MAKE SURE THAT NO MECHANICAL FORCES ARE APPLIED ON THE HEADER OF THE PCB
 - 16 COMPATIBLE WITH FLAP ASSY X-2337030-2

ACTUATOR WIRE CONFIGURATION

PIN 3	PIN 2	SENSE RESISTANCE	FUNCTION
-	+	11.000 kOhm ± 2%	LOCKED
-	+	2.194 kOhm ± 2%	DRIVE/ FAULT
-	+	0.989 kOhm ± 2%	UNLOCKED

PIN 1	PIN 4	FUNCTION
-	+	UNLOCKING
+	-	LOCKING

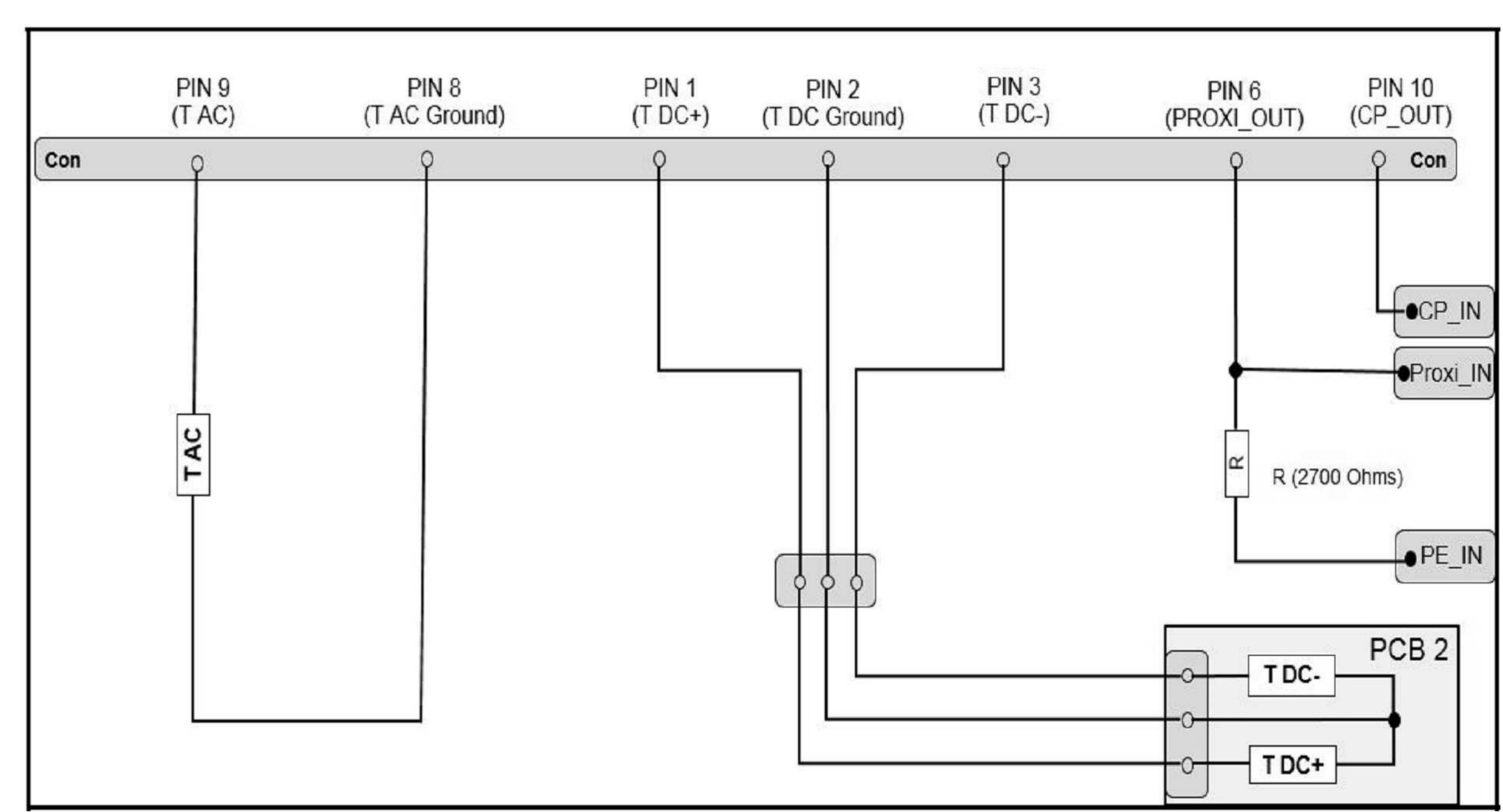


TEMPERATURE (°C)	RESISTANCE (Ω)
-40	232634
-35	173538
-30	130769
-25	99489
-20	76385
-15	59157
-10	46194
-5	36356
0	28829
5	23025
10	18515
15	14986
20	12205
25	10000
30	8240.3
35	6827.5
40	5686.6
45	4760.3
50	4004.2
55	3383.8
60	2872.3
65	2448.5
70	2095.9
75	1801.2
80	1553.8
85	1345.3
90	1168.9
95	1019.2
100	891.48

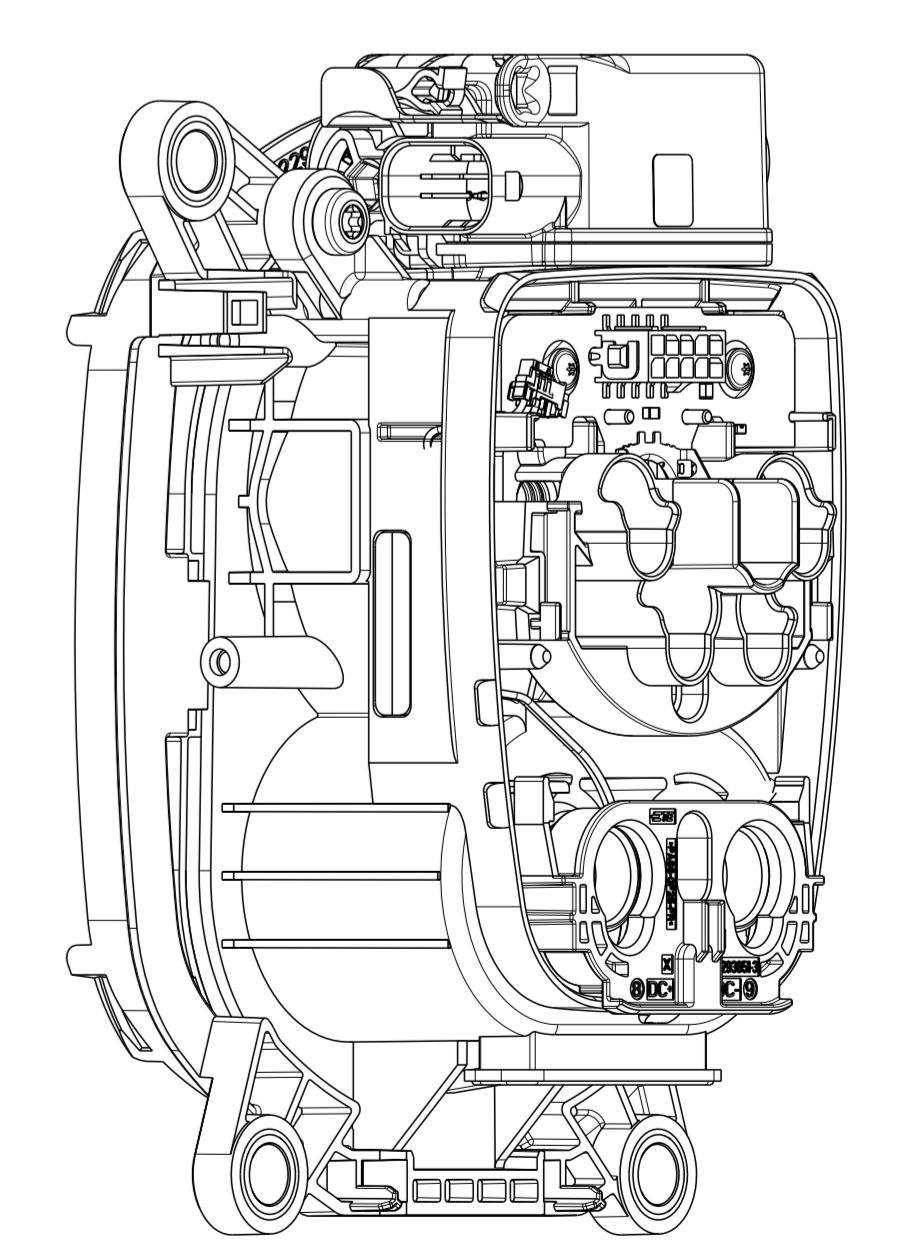
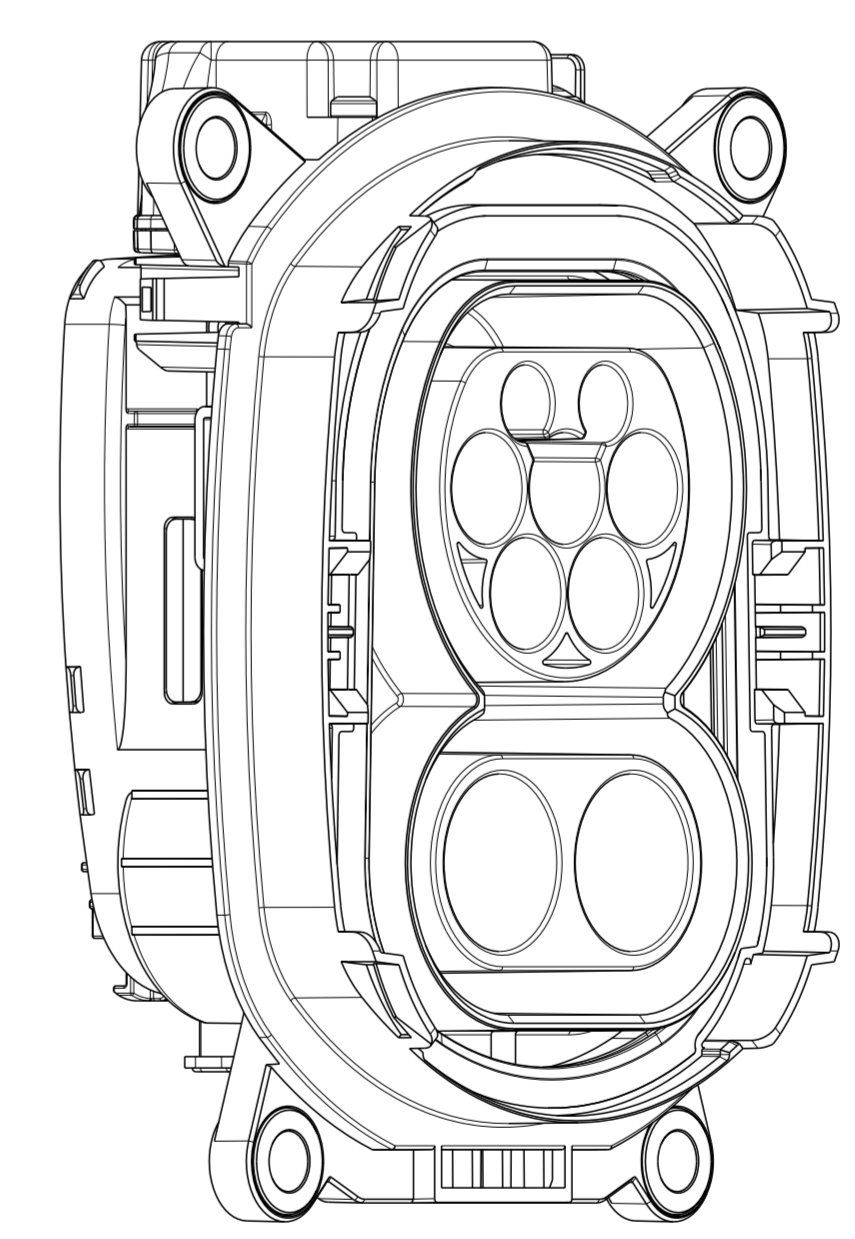
PINNING PCB

PIN NO.	COMBO1
1	T DC-
2	T DC GROUND
3	T DC-
4	-
5	-
6	PROXI
7	-
8	T AC GROUND
9	T AC
10	CP
11	-
12	-

CIRCUIT DIAGRAM (FOR INFORMATION ONLY)



**AS SHOWN
9-2337016-2
ISOMETRIC VIEW**

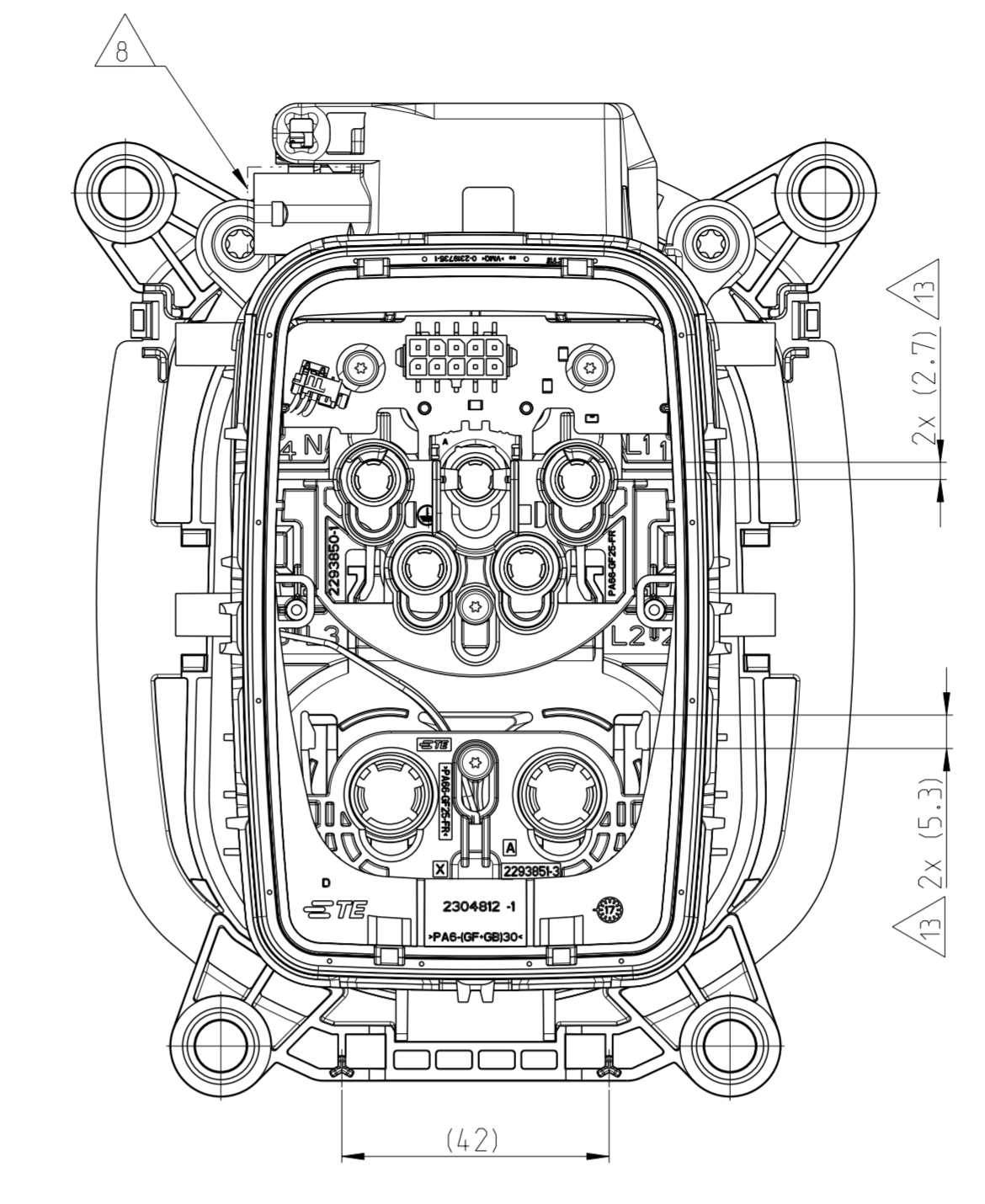
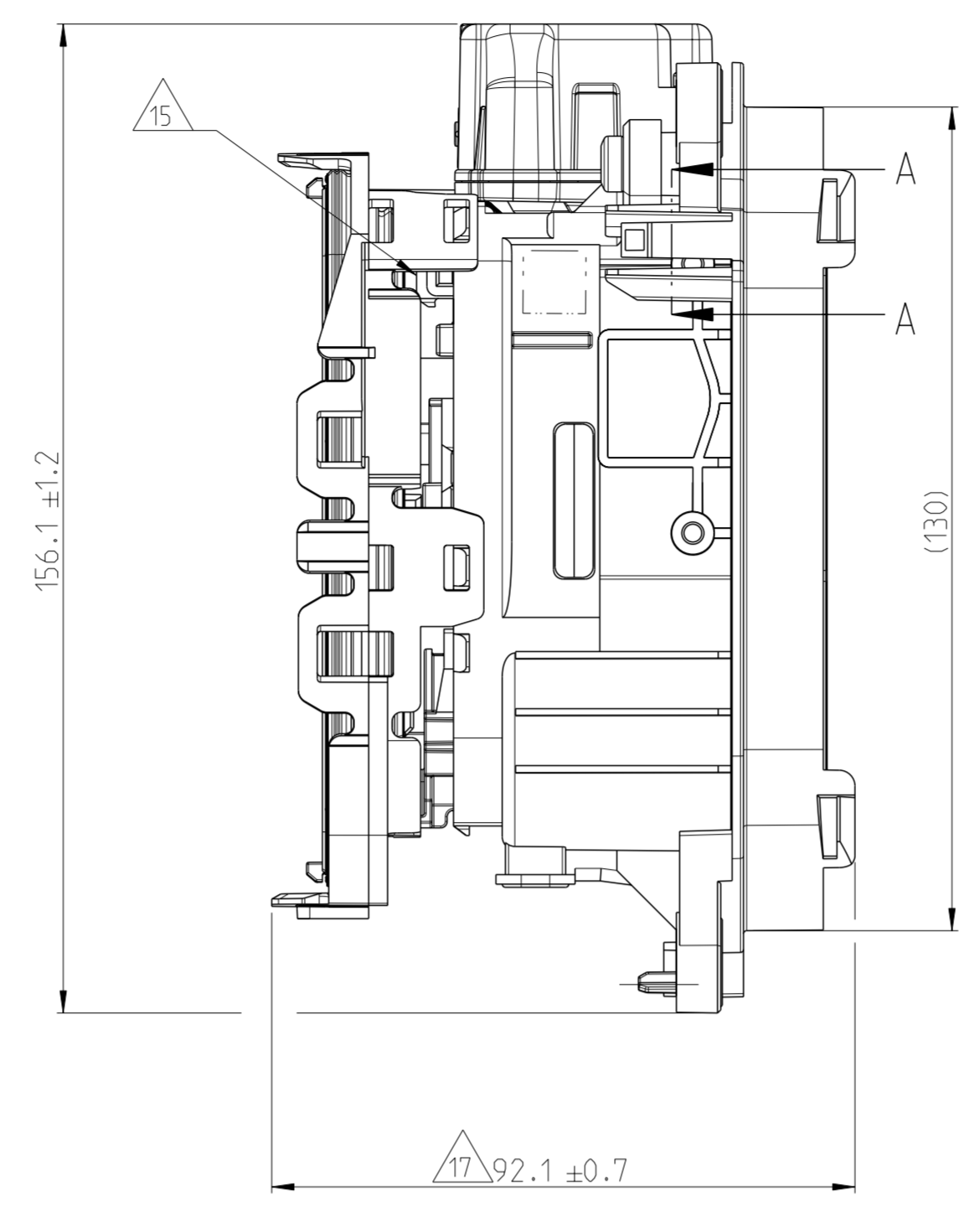
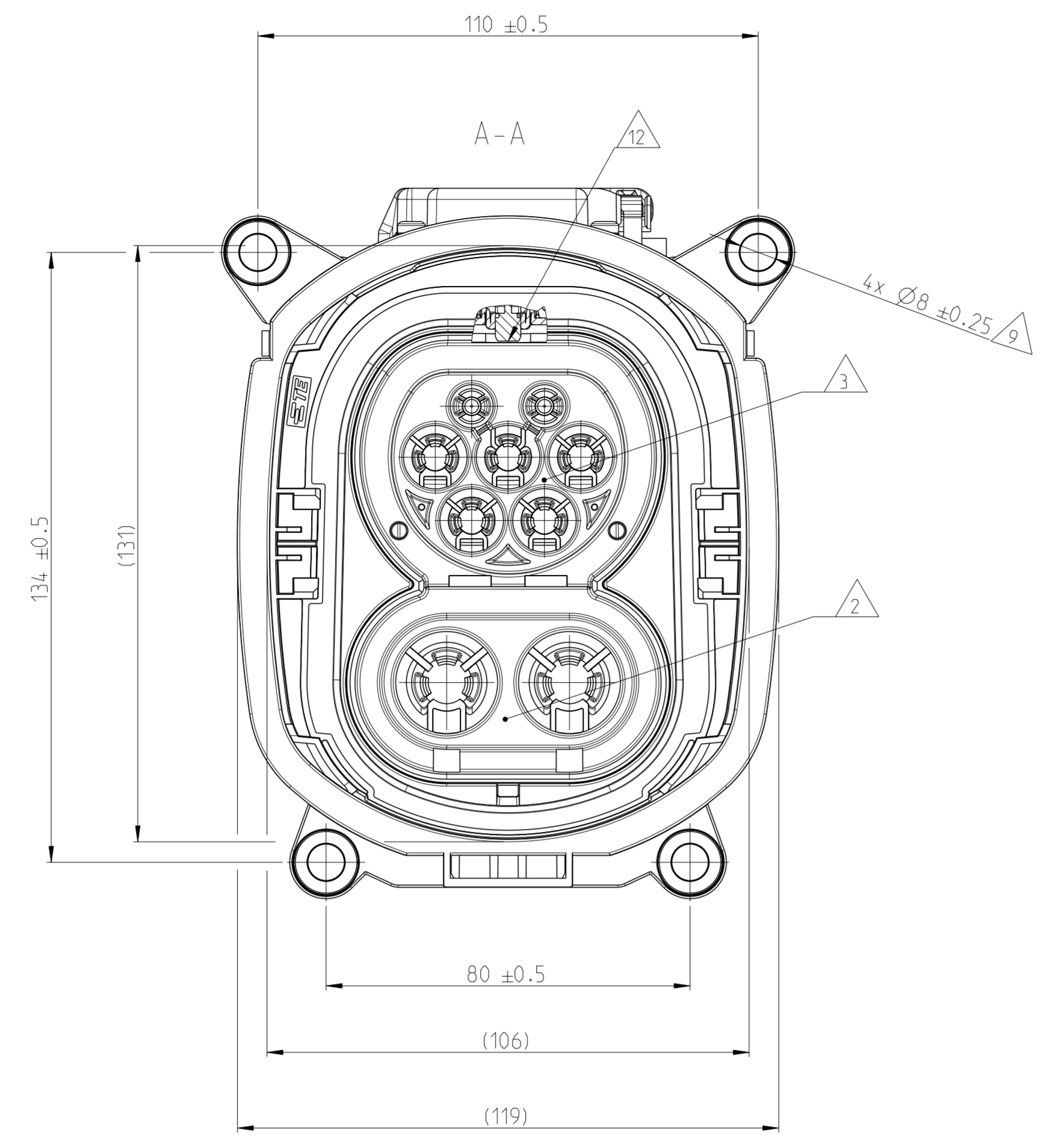


THIS DRAWING IS A CONTROLLED DOCUMENT. DIMENSIONS AND TOLERANCING PER GPS ISO STANDARDS. DIMENSIONS UNLESS OTHERWISE SPECIFIED. ISO 2768-MK. FINISH: PL, P, PL, P, PL, P. MATERIAL: SEE TABLE.

REV: 3. KUMAR: 26MAR2018. CH: W. LITNICK: 26MAR2018. PRODUCT SPEC: 108-94778. APPLICATION SPEC: IEC62196-3. CUSTOMER DRAWING: 00779. SCALE: 5:1. SHEET: 1 OF 5. RESTRICTED TO: REL: B.

STE TE Connectivity
INLET HSG. COMBO2. ASSY
 IEC62196-3
 A000779 C=2337016

REVISIONS			
REV	DATE	DESCRIPTION	APPROVED
1	-	SEE SHEET 1	-

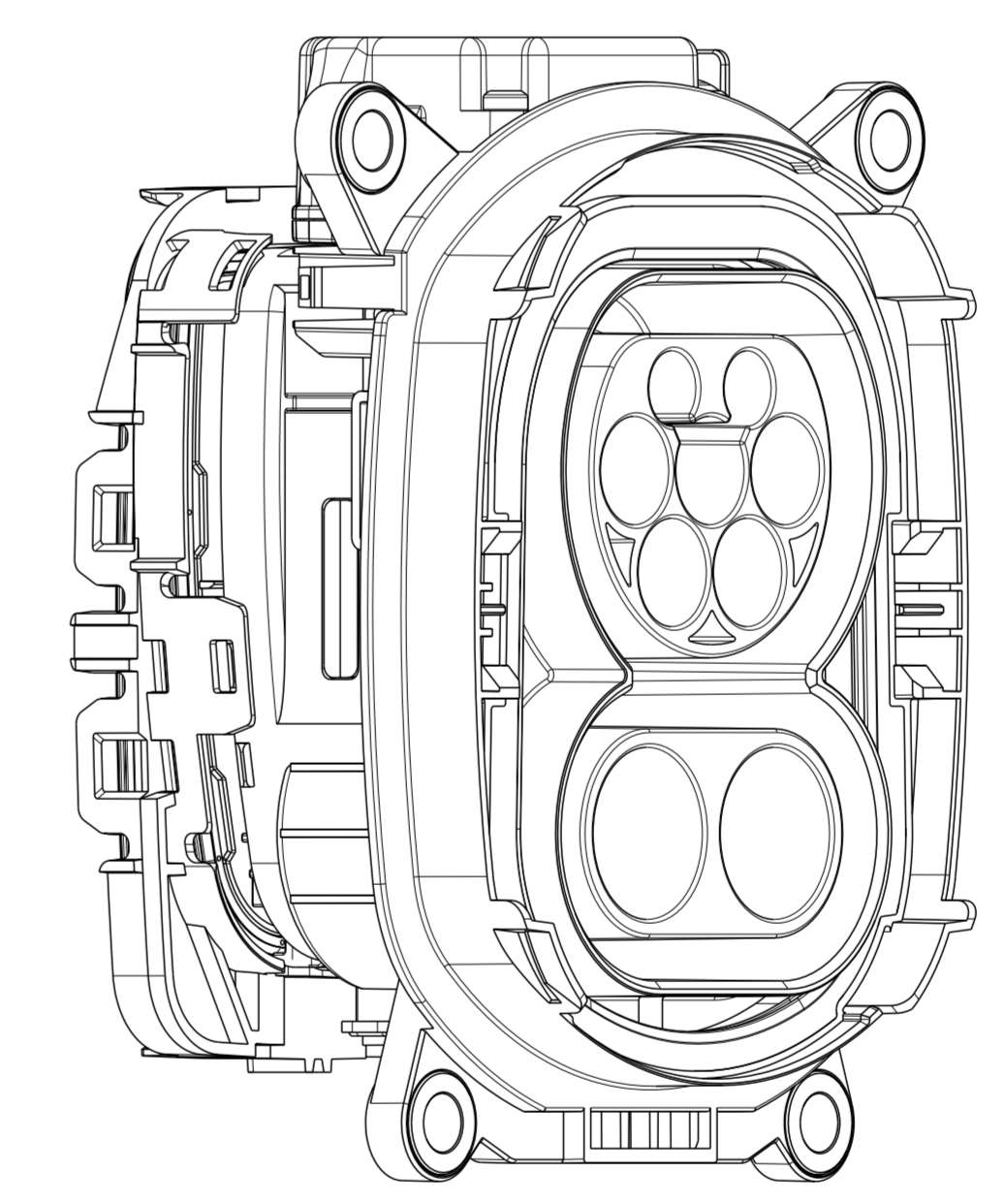
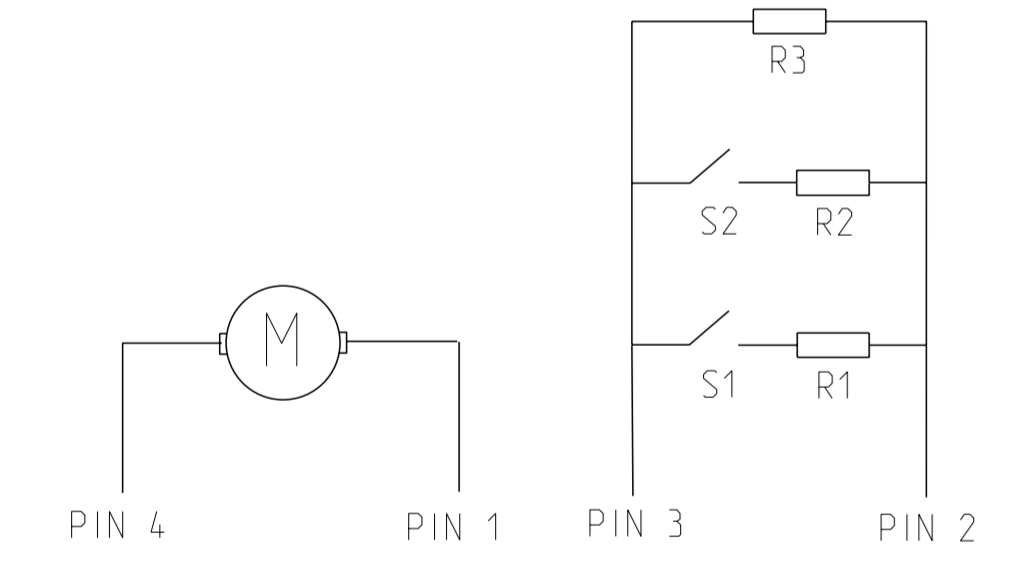


- NOTES
- 2 CHARGE INLET SIMILAR TO IEC62196-3.CCS 2, SHEET 3-1Va
 - 3 CHARGE INLET SIMILAR TO IEC62196-2.TYPE 11, SHEET 2-11F
 - 4 SPECIFIED IN PRODUCT SPECIFICATION 108-94778
 - 6 COMPATIBLE PCB CONNECTOR: PN 1-794617-0 WITH TERMINAL PN 0-794606-1
 - 7 FUNCTIONAL AND ELECTRICAL REQUIREMENTS OF ACTUATOR SEE SPECIFICATION 108-94519
 - 8 COMPATIBLE CONNECTOR FOR ACTUATOR: 1-967640-1
 - 9 APPLICABLE SCREWS FOR MOUNTING, HEAD DIAMETER MIN. 10.5mm, TORQUE 6Nm±0.9Nm FOR M6 SCREWS
 - 12 DELIVERY CONDITION OF ACTUATOR: IN BASE POSITION
 - 13 DELIVERY CONDITION SEC. LOCKS IN PRELOCK POSITION
 - 15 MAKE SURE THAT NO MECHANICAL FORCES ARE APPLIED ON THE HEADER OF THE PCBA
 - 16 COMPATIBLE WITH FLAP ASSY X-2337030-2
 - 17 DELIVERY CONDITION: ADAPTOR, CABLE EXIT IN PRELOCK POSITION

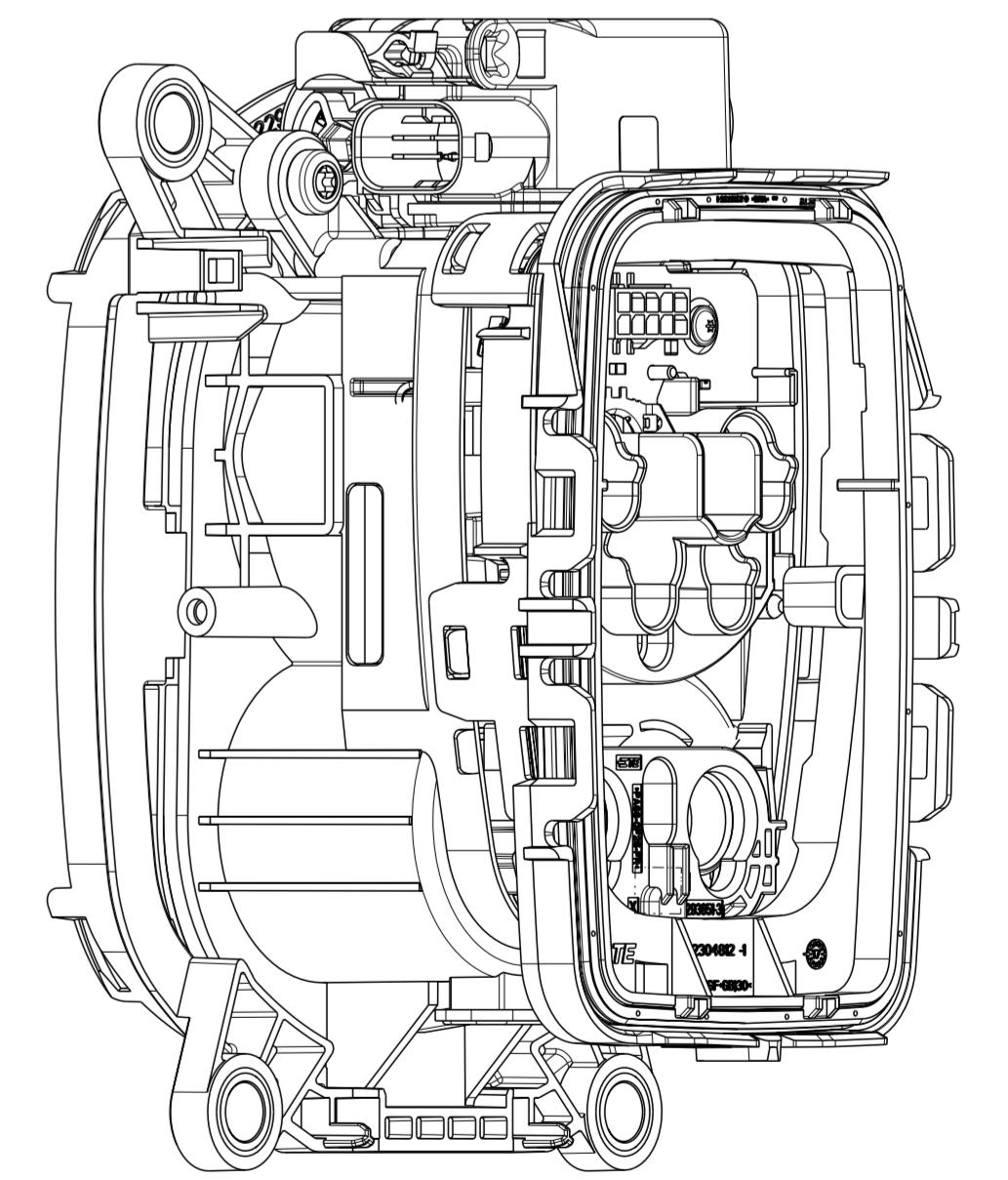
ACTUATOR WIRE CONFIGURATION

PIN 3	PIN 2	SENSE RESISTANCE	FUNCTION
-	+	11,000 kOhm ± 2%	LOCKED
-	+	2,194 kOhm ± 2%	DRIVE/FAULT
-	+	0,989 kOhm ± 2%	UNLOCKED

PIN 1	PIN 4	FUNCTION
-	+	UNLOCKING
+	-	LOCKING



AS SHOWN
9-2337016-3
ISOMETRIC VIEW

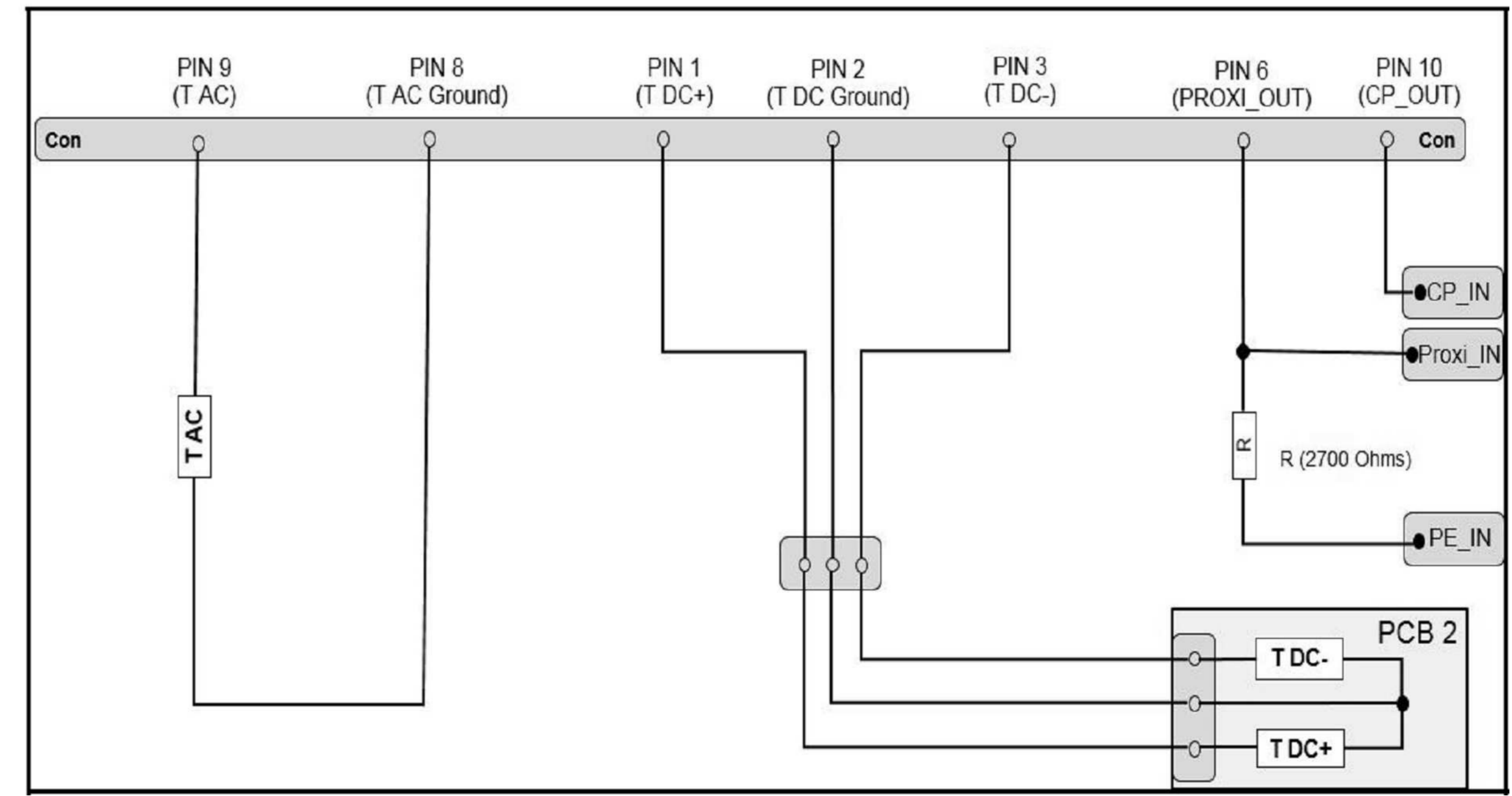


TEMPERATURE (°C)	RESISTANCE (Ω)
-40	232634
-35	173538
-30	130769
-25	99489
-20	76385
-15	59157
-10	46194
-5	36356
0	28829
5	23025
10	18515
15	14986
20	12205
25	10000
30	8240.3
35	6827.5
40	5686.6
45	4760.3
50	4004.2
55	3383.8
60	2872.3
65	2448.5
70	2095.9
75	1801.2
80	1553.8
85	1345.3
90	1168.9
95	1019.2
100	891.48

PINNING PCB

PIN NO.	COMBO1
1	T DC+
2	T DC GROUND
3	T DC-
4	-
5	-
6	PROXI
7	-
8	T AC GROUND
9	T AC
10	CP
11	-
12	-

CIRCUIT DIAGRAM (FOR INFORMATION ONLY)

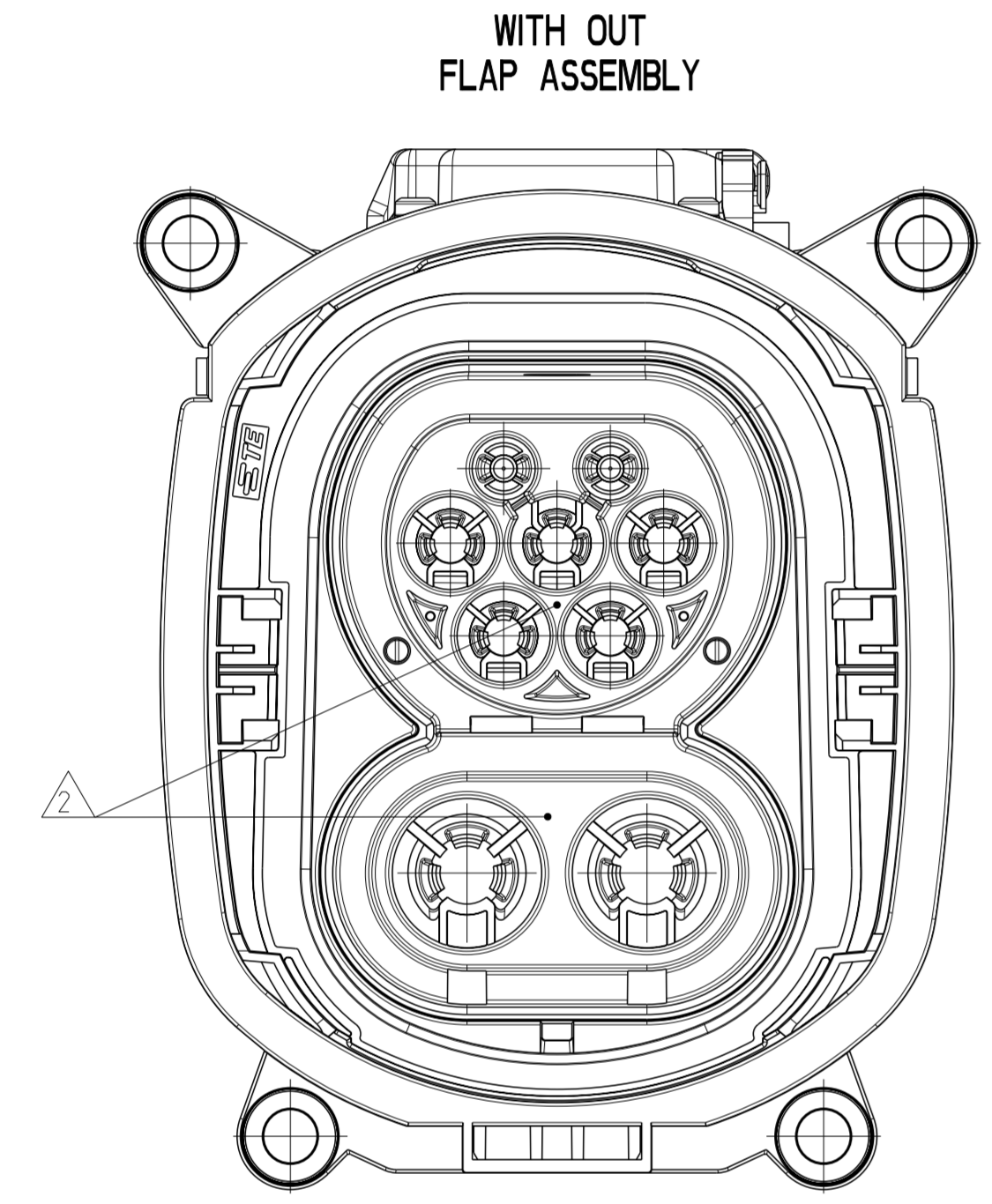
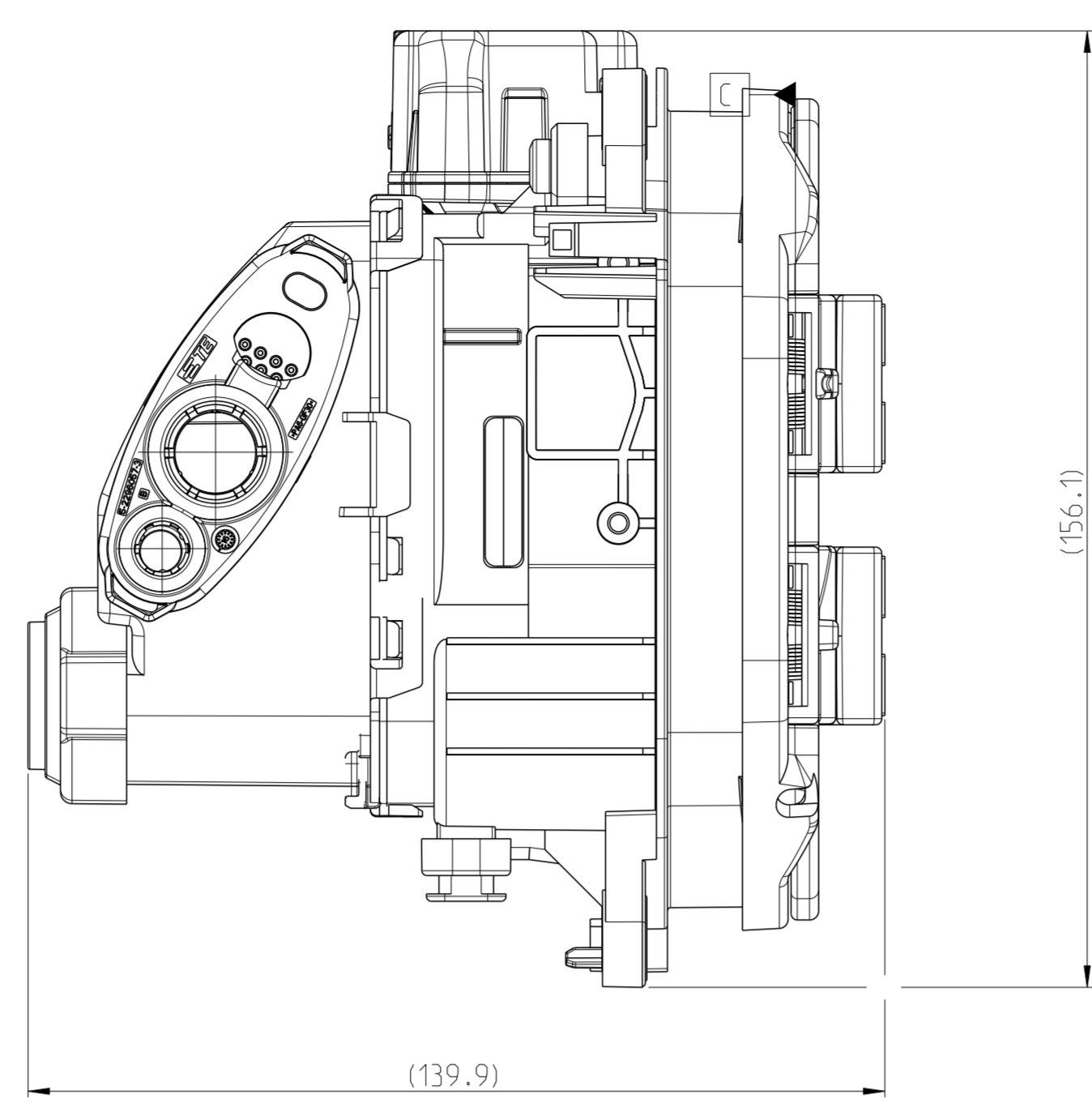
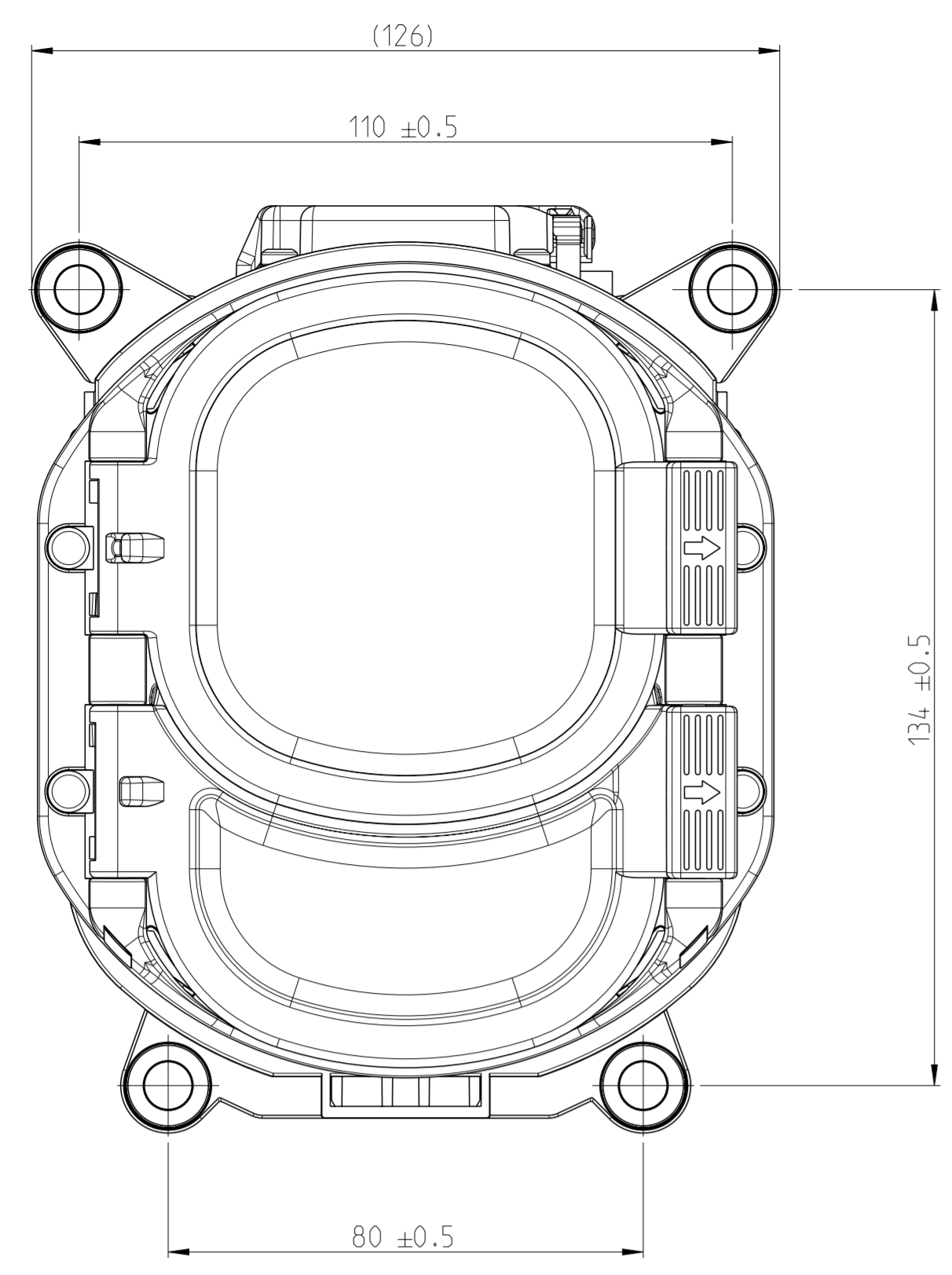


THIS DRAWING IS A CONTROLLED DOCUMENT. DIMENSIONING AND TOLERANCING PER GPS ISO STANDARDS. MATERIAL: SEE TABLE. FINISH: -

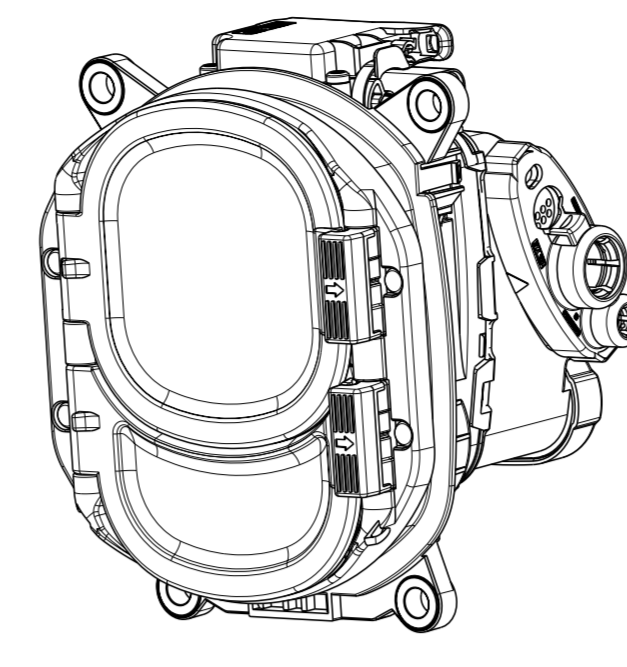
REV	DATE	DESCRIPTION	APPROVED
1	-	SEE SHEET 1	-

INLET HSG. COMBO2. ASSY
IEC 62196-3
00779 C=2337016

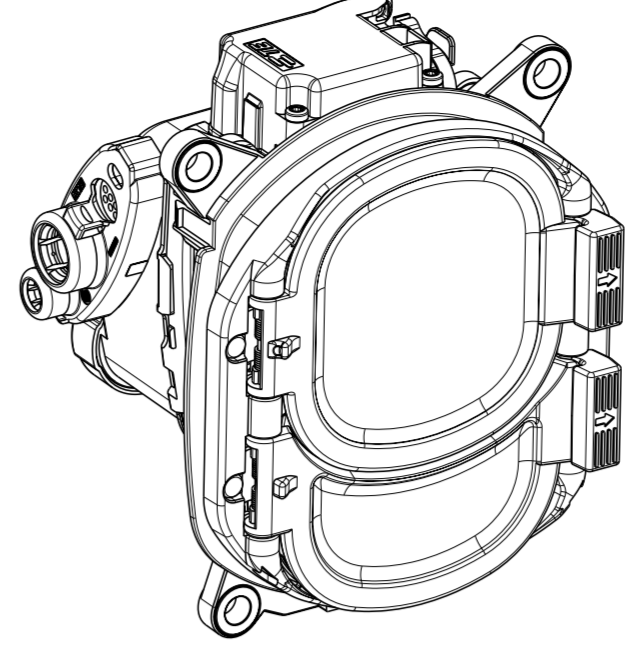
SCALE: 5.1 SHEET 2 OF 5



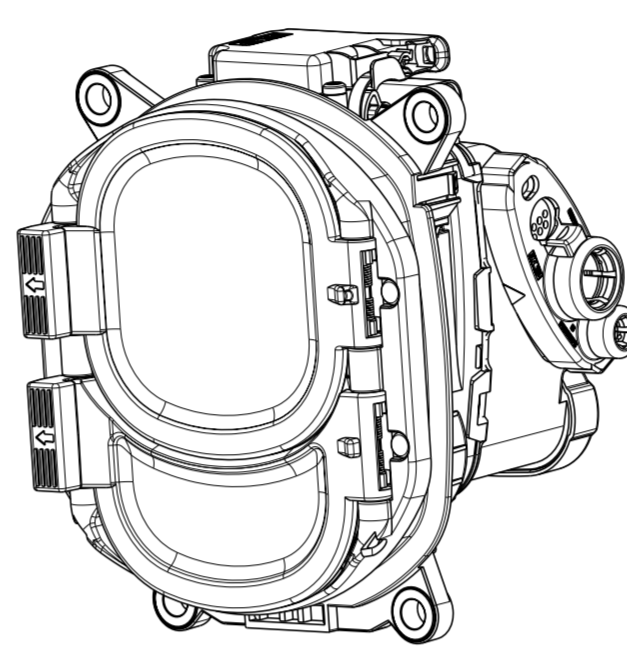
CHARGE INLET ASSY RIGHT
FLAP ASSY LEFT
12



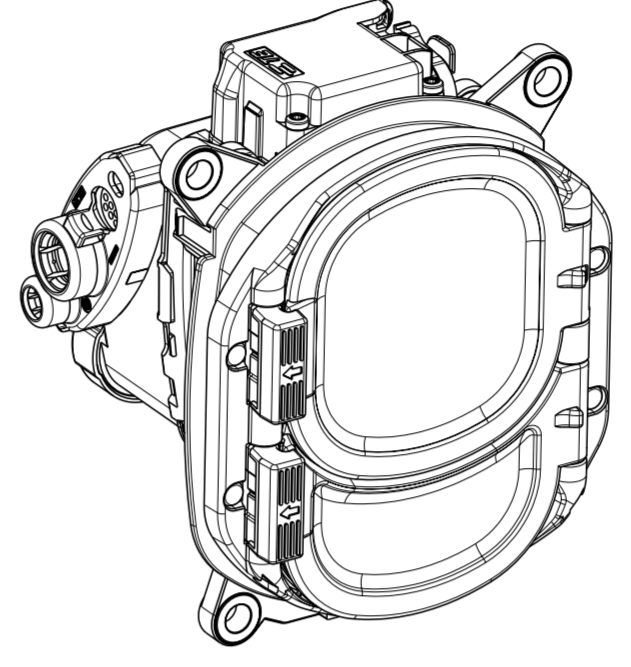
CHARGE INLET ASSY LEFT
FLAP ASSY LEFT
12



CHARGE INLET ASSY RIGHT
FLAP ASSY RIGHT
12

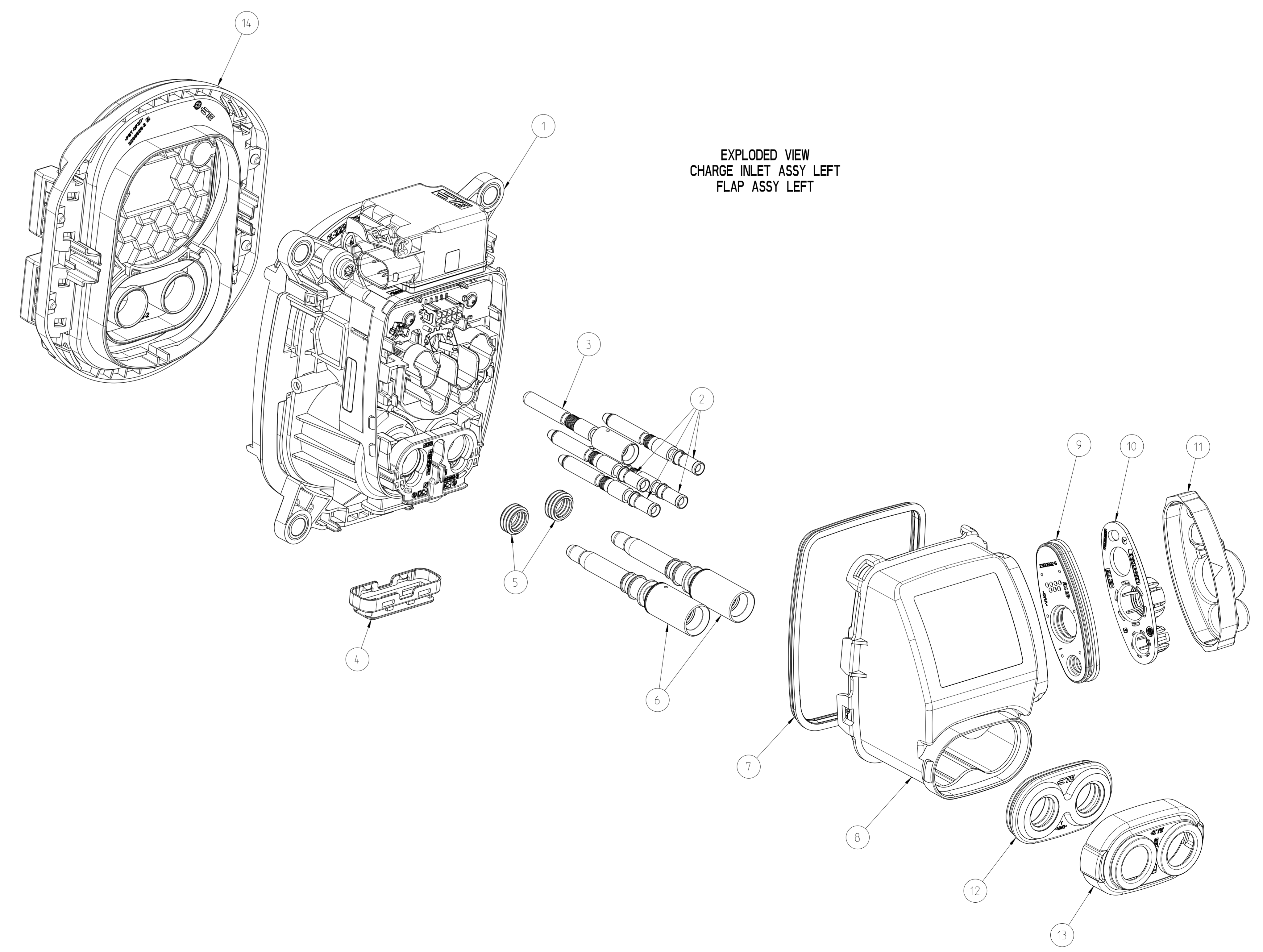


CHARGE INLET ASSY LEFT
FLAP ASSY RIGHT
12



REVISIONS			
REV	DATE	BY	APPV
1	26MAR2018	S. Kumar	
2	26MAR2018	CH. W. Lin	
3	26MAR2018	CH. W. Lin	

- NOTES
- NOT FOR SALE. DESCRIBES ONLY THE BOM AND THE ASSEMBLY OF THE COMPLETE PRODUCT
 - CHARGE INLET SIMILAR TO IEC62196-3.CCS 2, SHEET 3-1Va
 - ADAPTIVE CABLES SEE APPLICATION SPECIFICATION 114-94651
 - COMPATIBLE PCB CONNECTOR: PN 1-794617-0 WITH TERMINAL PN 0-794606-1
 - FUNCTIONAL AND ELECTRICAL REQUIREMENTS OF ACTUATOR SEE SPECIFICATION 108-94519
 - COMPATIBLE CONNECTOR FOR ACTUATOR: 1-967640-1
 - APPLICABLE SCREWS FOR MOUNTING. HEAD DIAMETER MIN. 10.5mm. TORQUE 6Nm±0.9Nm FOR M6 SCREWS
 - CHECK FEEDBACK SIGNAL OF THE ACTUATOR:
FEEDBACK TIME < 10MS (AFTER REACHING FINAL POSITION)
2mA < LOCK POSITION < 4mA
15mA < UNLOCK POSITION < 19mA
8mA < PARTIAL LOCK POSITION < 12mA
8V SUPPLY VOLTAGE < 16V
 - MAX VOLTAGE RATING 480 VAC
MAX CURRENT RATING 32 A
 - MAX VOLTAGE RATING 1000 VDC
MAX CURRENT RATING 200 A



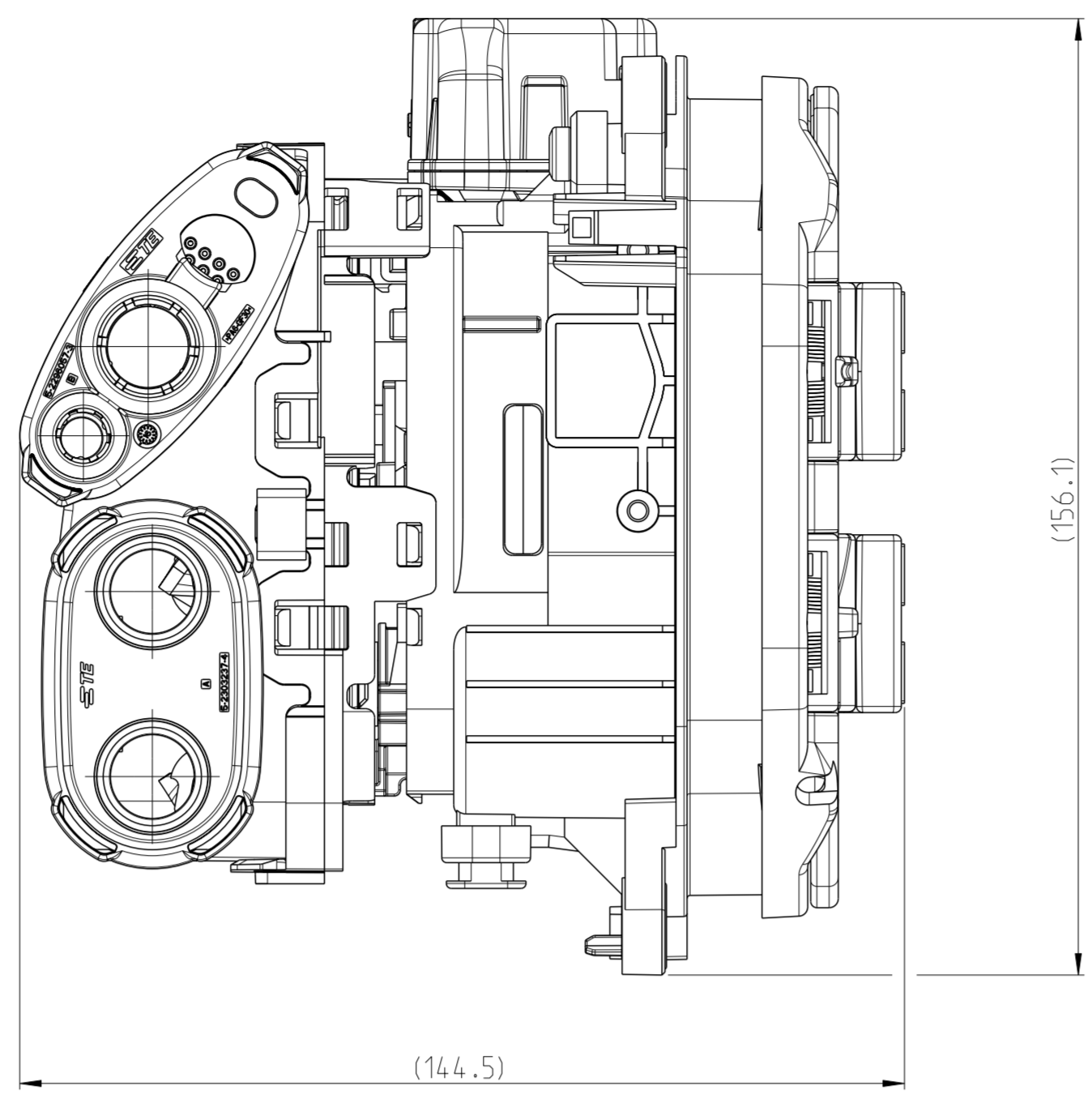
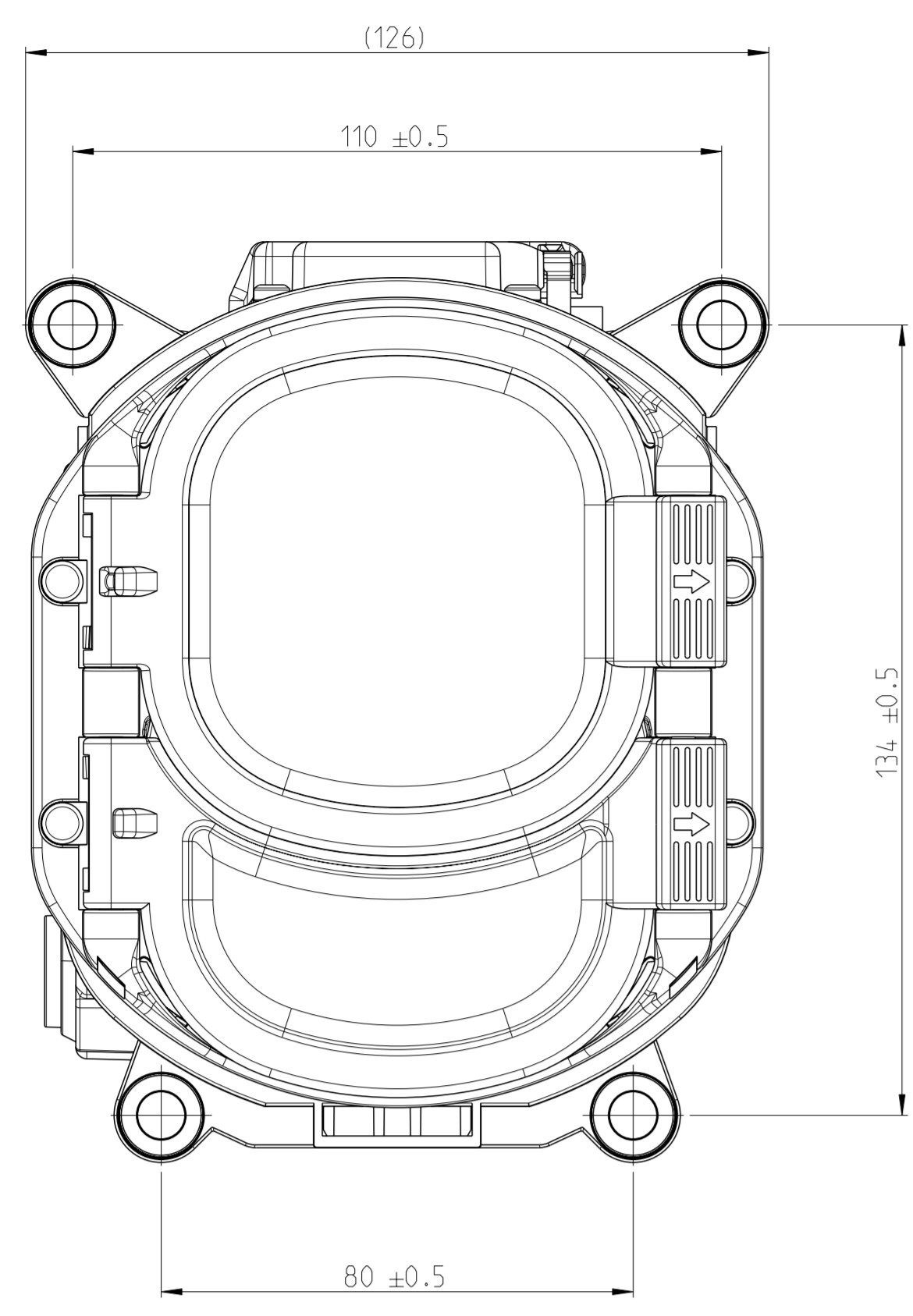
EXPLODED VIEW
CHARGE INLET ASSY LEFT
FLAP ASSY LEFT

CHARGE INLET ASSY LEFT FLAP ASSY LEFT	CHARGE INLET ASSY LEFT FLAP ASSY RIGHT	CHARGE INLET ASSY RIGHT FLAP ASSY LEFT	CHARGE INLET ASSY RIGHT FLAP ASSY RIGHT	ORDER PN	REV	ADDITIONAL COMPONENTS/ ACCESSORIES DESCRIPTION	MATERIAL	SURFACE/COLOR	ITEM NO
-	1	-	1	9-2337030-2	A	FLAP ASSY.INLET COMBO RIGHT	-	BLACK	14
1	-	1	-	8-2337030-2	A	FLAP ASSY.INLET COMBO LEFT	-	BLACK	14

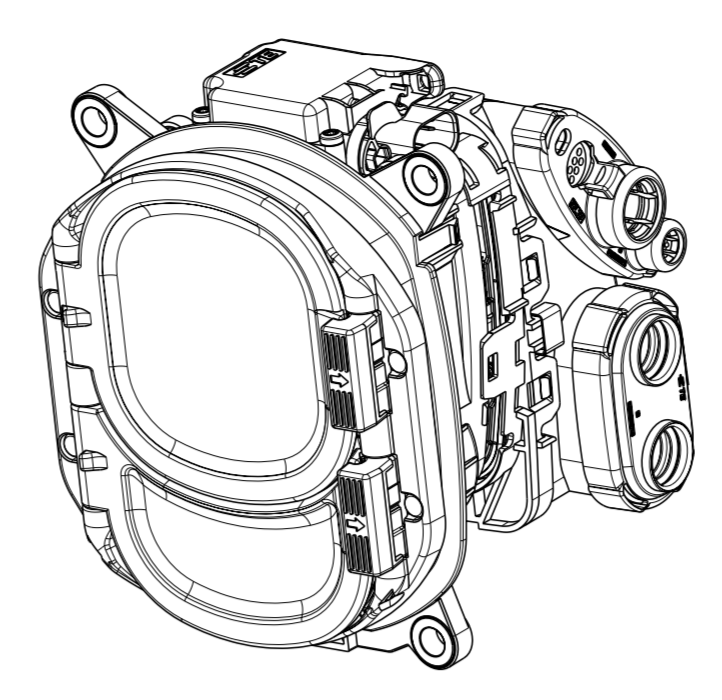
CHARGE INLET ASSY LEFT	CHARGE INLET ASSY LEFT	CHARGE INLET ASSY RIGHT	CHARGE INLET ASSY RIGHT	ORDER PN	REV	PART DESCRIPTION	MATERIAL	SURFACE/COLOR	ITEM NO
1	1	1	1	5-2296059-4	A	COVER, CABLE SEAL, COMBO DC	PA6-(GF10-GB20)	BLACK	13
1	1	1	1	2296058-4	A	FAMILY SEAL, COMBO DC	VMQ	RED	12
1	1	1	1	5-2296057-3	B	COVER, CABLE SEAL, AC	PA6-(GF10-GB20)	BLACK	11
1	1	1	1	1-2344703-3	A	STRAIN RELIEF, AC	PA6-(GF-GB)30	CLARET VIOLET	10
1	1	1	1	2350592-5	B	AC FAMILY SEAL	VMQ	YELLOW	9
-	-	1	1	5-2296039-4	B	CABLE EXIT, RECT, COMBO RIGHT	PA6-(GF10-GB20)	BLACK	8
1	1	-	-	5-2296039-3	B	CABLE EXIT, RECT, COMBO LEFT	PA6-(GF10-GB20)	BLACK	8
1	1	1	1	0-2320511-1	B	RADIAL SEAL	VMQ	RUST RED	7
2	2	2	2	2292542-1	A	PIN, DIA 8.0 CONTACT ASSY TYP1 50mm ²	COPPER	SILVER/TIN	6
2	2	2	2	2120571-1	A	SEALING	VMQ	NATURAL	5
1	1	1	1	2292534-1	B	PROTECTION CAP, WATER DRAIN	PA6-(GF10-GB20)	BLACK	4
1	1	1	1	2293270-5	A	PIN CONTACT, DIA 6.0, PE 25mm ²	BRASS	SILVER	3
4	4	4	4	2293269-3	A	PIN, DIA 6.0, L/N, ASSY 6mm ²	BRASS	SILVER	2
1	1	1	1	9-2337016-2	B	INLET HSG, COMBO2, ASSY	-	-	1

THIS DRAWING IS A CONTROLLED DOCUMENT. DIMENSIONING AND TOLERANCING PER GPS ISO STANDARDS. DIMENSIONS IN MILLIMETERS UNLESS OTHERWISE SPECIFIED. ISO 2768-MK. FINISH: PL, PL2, PL3, PL4, PL5, PL6, PL7, PL8, PL9, PL10, PL11, PL12, PL13, PL14, PL15, PL16, PL17, PL18, PL19, PL20, PL21, PL22, PL23, PL24, PL25, PL26, PL27, PL28, PL29, PL30, PL31, PL32, PL33, PL34, PL35, PL36, PL37, PL38, PL39, PL40, PL41, PL42, PL43, PL44, PL45, PL46, PL47, PL48, PL49, PL50, PL51, PL52, PL53, PL54, PL55, PL56, PL57, PL58, PL59, PL60, PL61, PL62, PL63, PL64, PL65, PL66, PL67, PL68, PL69, PL70, PL71, PL72, PL73, PL74, PL75, PL76, PL77, PL78, PL79, PL80, PL81, PL82, PL83, PL84, PL85, PL86, PL87, PL88, PL89, PL90, PL91, PL92, PL93, PL94, PL95, PL96, PL97, PL98, PL99, PL100.

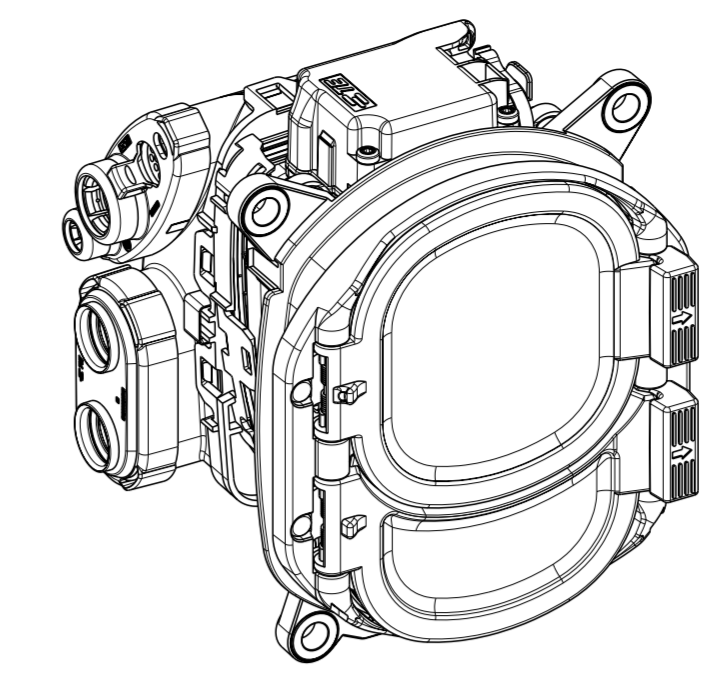
DATE: 26MAR2018
 CH: CH. W. Lin
 NAME: INLET HSG, COMBO2, ASSY
 IEC 62196-3
 SIZE: A0
 CASE CODE: 00779
 DRAWING NO: 2337016
 SCALE: 5:1
 SHEET: 3 of 5
 REV: B



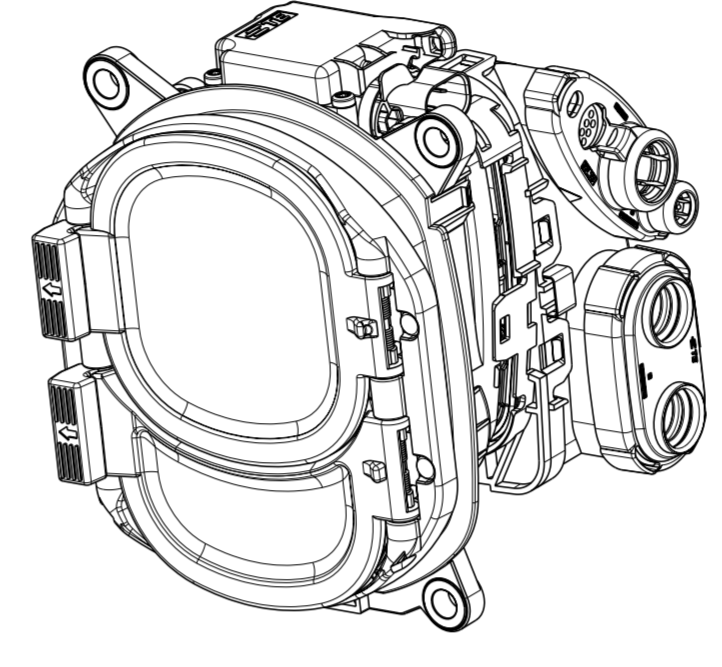
CHARGE INLET ASSY RIGHT
FLAP ASSY LEFT
12



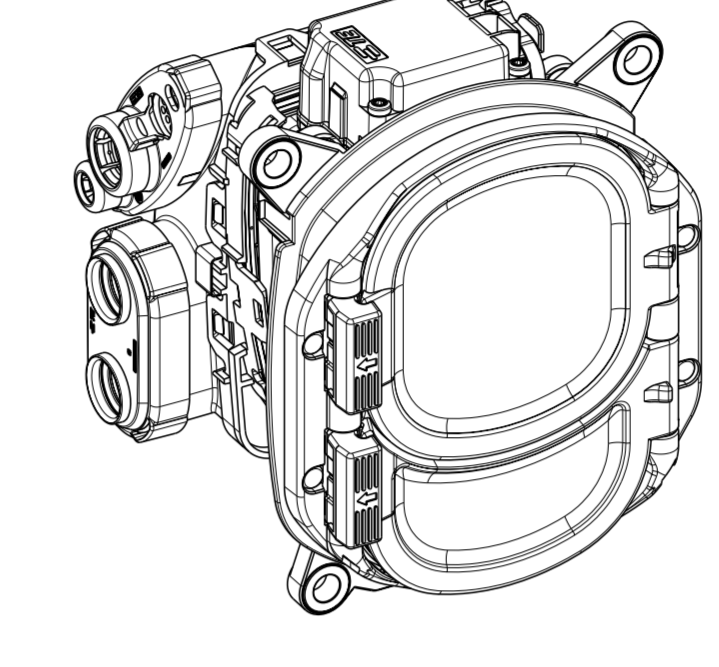
CHARGE INLET ASSY LEFT
FLAP ASSY LEFT
12



CHARGE INLET ASSY RIGHT
FLAP ASSY RIGHT
12

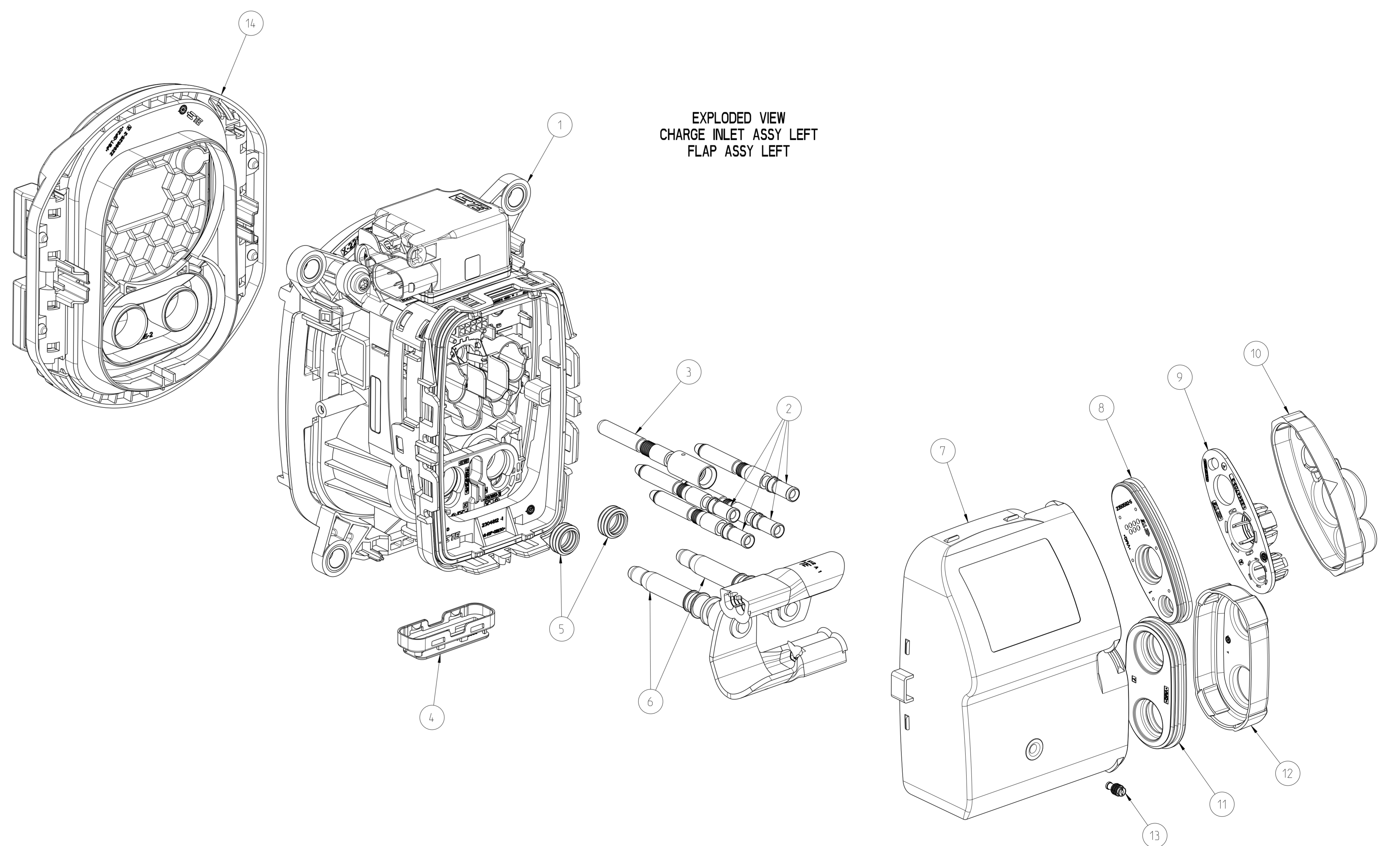
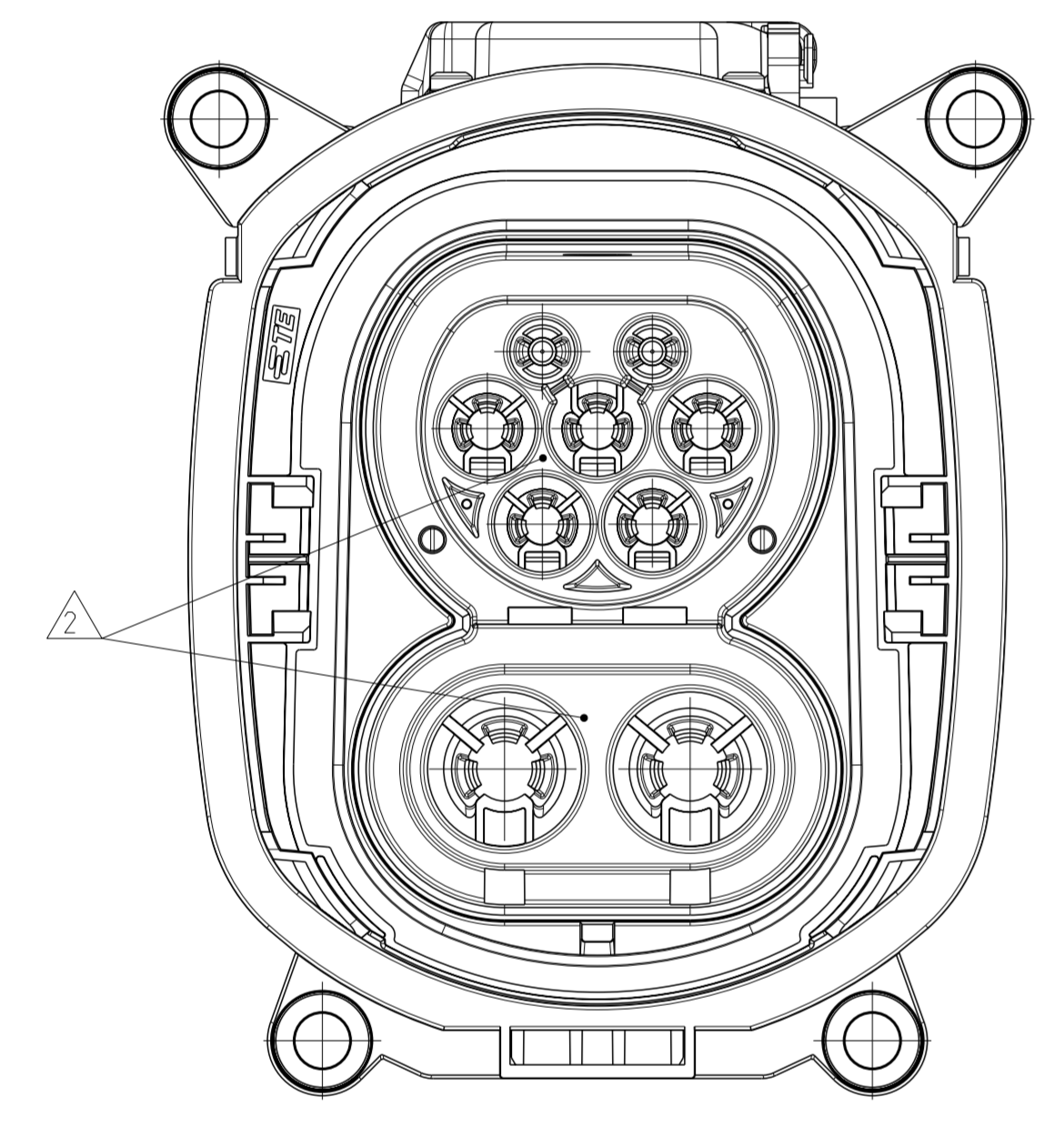


CHARGE INLET ASSY LEFT
FLAP ASSY RIGHT
12



- REVISIONS
- | REV | DATE | DESCRIPTION | BY | APPV |
|-----|------|-------------|----|------|
| 1 | | SEE SHEET 1 | | |
- NOTES
- NOT FOR SALE-DESCRIBES ONLY THE BOM AND THE ASSEMBLY OF THE COMPLETE PRODUCT
 - CHARGE INLET SIMILAR TO IEC62196-3.CCS 2, SHEET 3-1Va
 - ADAPTIVE CABLES SEE APPLICATION SPECIFICATION 114-94650
 - COMPATIBLE PCB CONNECTOR: PN 1-794617-0 WITH TERMINAL PN 0-794606-1
 - FUNCTIONAL AND ELECTRICAL REQUIREMENTS OF ACTUATOR SEE SPECIFICATION 108-94519
 - COMPATIBLE CONNECTOR FOR ACTUATOR: 1-967640-1
 - APPLICABLE SCREWS FOR MOUNTING: HEAD DIAMETER MIN. 10.5mm. TORQUE 6Nm±0.9Nm FOR M6 SCREWS
 - CHECK FEEDBACK SIGNAL OF THE ACTUATOR:
FEEDBACKTIME < 10MS (AFTER REACHING FINALPOSITION)
2mA < LOCK POSITION < 4mA
15mA < UNLOCK POSITION < 19mA
8mA < PARTIAL LOCK POSITION < 12mA
8V<SUPPLY VOLTAGE<16V
 - MAX VOLTAGE RATING 480 VAC
MAX CURRENT RATING 32 A
 - MAX VOLTAGE RATING 1000 VDC
MAX CURRENT RATING 200 A

WITH OUT
FLAP ASSEMBLY



CHARGE INLET ASSY LEFT FLAP ASSY LEFT	CHARGE INLET ASSY LEFT FLAP ASSY RIGHT	CHARGE INLET ASSY RIGHT FLAP ASSY LEFT	CHARGE INLET ASSY RIGHT FLAP ASSY RIGHT	ORDER PN	REV	ADDITIONAL COMPONENTS/ ACCESSORIES DESCRIPTION	MATERIAL	SURFACE/COLOR	ITEM NO
-	1	-	1	9-2337030-2	A	FLAP ASSY.INLET COMBO RIGHT	-	BLACK	14
1	-	1	-	8-2337030-2	A	FLAP ASSY.INLET COMBO LEFT	-	BLACK	14

CHARGE INLET ASSY LEFT	CHARGE INLET ASSY LEFT	CHARGE INLET ASSY RIGHT	CHARGE INLET ASSY RIGHT	ORDER PN	REV	PART DESCRIPTION	MATERIAL	SURFACE/COLOR	ITEM NO
1	1	1	1	963143-1	E	MQS CAVITY PLUG	VMQ	WHITE	13
1	1	1	1	5-2303237-4	A	COVER, CABLE SEAL, COMBO DC	PA6-(GF10-GB20)	BLACK	12
1	1	1	1	2303206-4	A	FAMILY SEAL, COMBO DC	VMQ	RED	11
1	1	1	1	5-2296057-3	B	COVER, CABLE SEAL, AC	PA6-(GF10-GB20)	BLACK	10
1	1	1	1	1-2344703-3	A	STRAIN RELIEF, AC	PA6-(GF-GB)30	CLARET VIOLET	9
1	1	1	1	2350592-5	B	FAMILY SEAL, AC	VMQ	YELLOW	8
-	-	1	1	5-2303200-2	D	CABLE EXIT, RECT. COMBO RIGHT	PA6-(GF+GB)30	BLACK	7
1	1	-	-	5-2303200-1	C	CABLE EXIT, RECT. COMBO LEFT	PA6-(GF-GB)30	BLACK	7
2	2	2	2	2306177-1	A	PIN DIA 6.0 TERMINAL 90DEG 50mm ²	COPPER	SILVER/TIN	6
2	2	2	2	2120571-1	A	SEAL ING	VMQ	NATURAL	5
1	1	1	1	2292534-1	B	PROTECTION CAP, WATER DRAIN	PA6-(GF10-GB20)	BLACK	4
1	1	1	1	2293270-5	A	PIN CONTACT, DIA 6.0, PE 25mm ²	BRASS	SILVER	3
4	4	4	4	2293269-3	A	PIN, DIA 6.0, L/N, ASSY 6mm ²	BRASS	SILVER	2
1	1	1	1	9-2337016-3	B	INLET HSG, ADAPTER, COMBO2, ASSY	-	-	1

THIS DRAWING IS A CONTROLLED DOCUMENT. DIMENSIONING AND TOLERANCING PER GPS ISO STANDARDS.

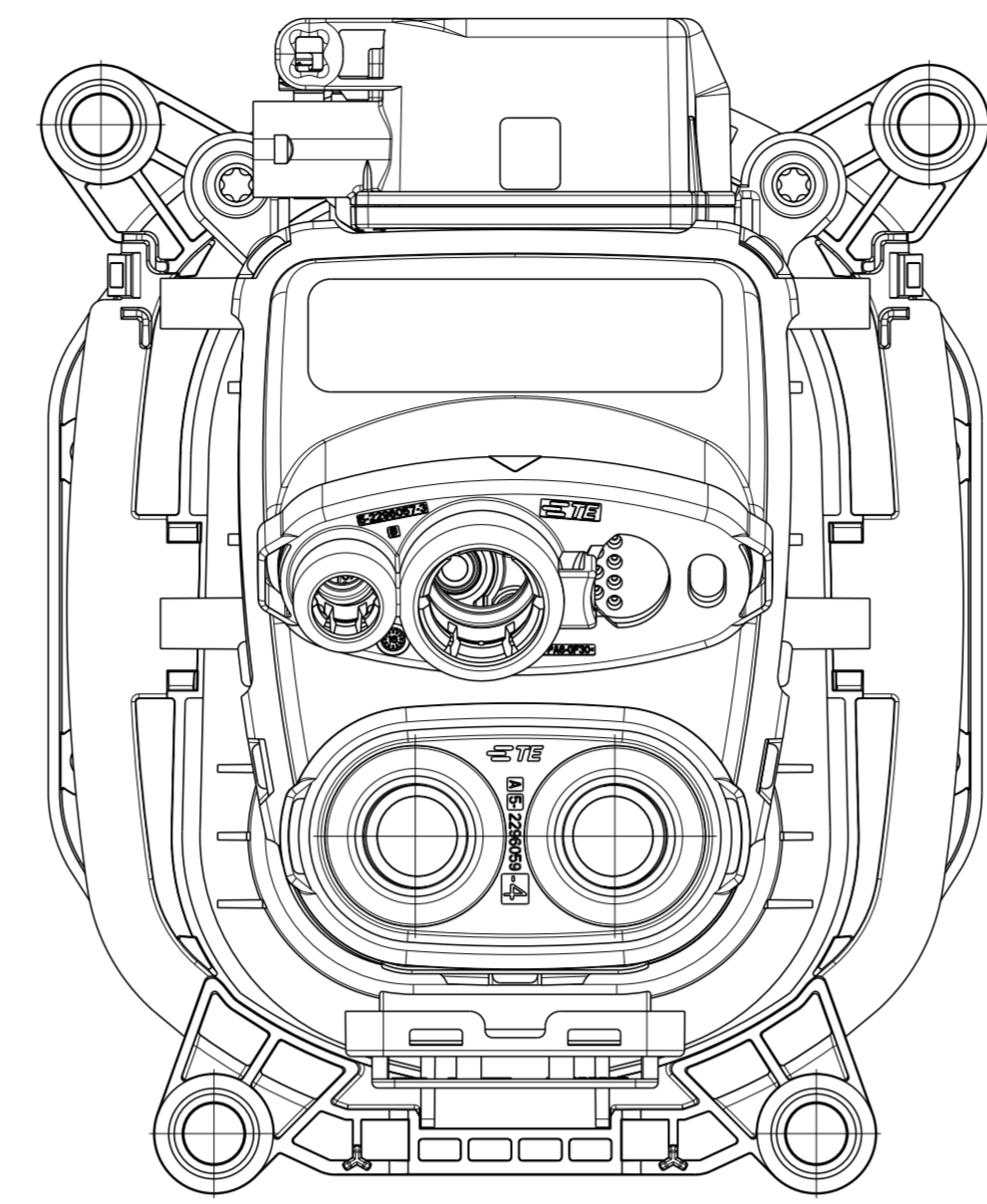
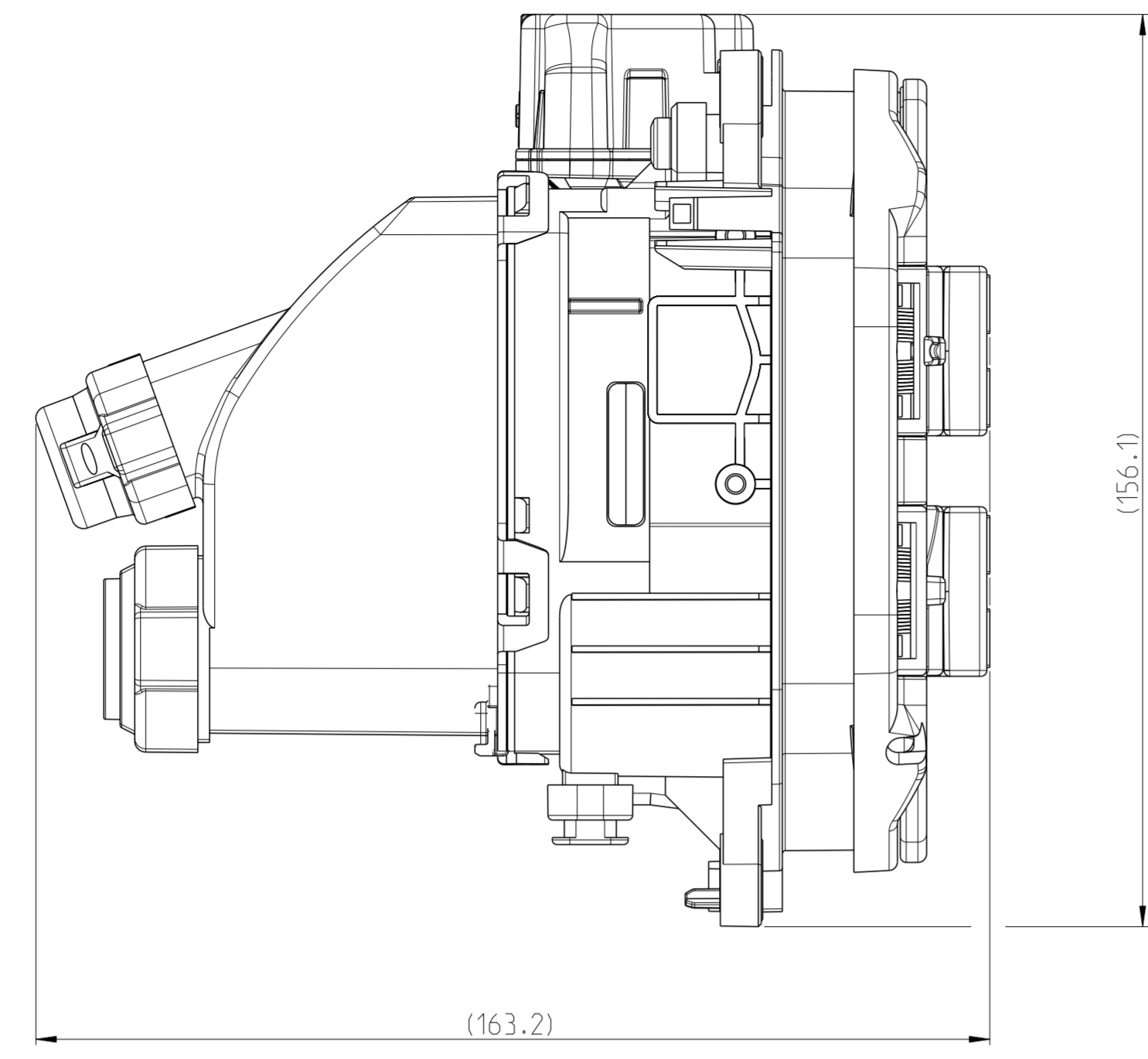
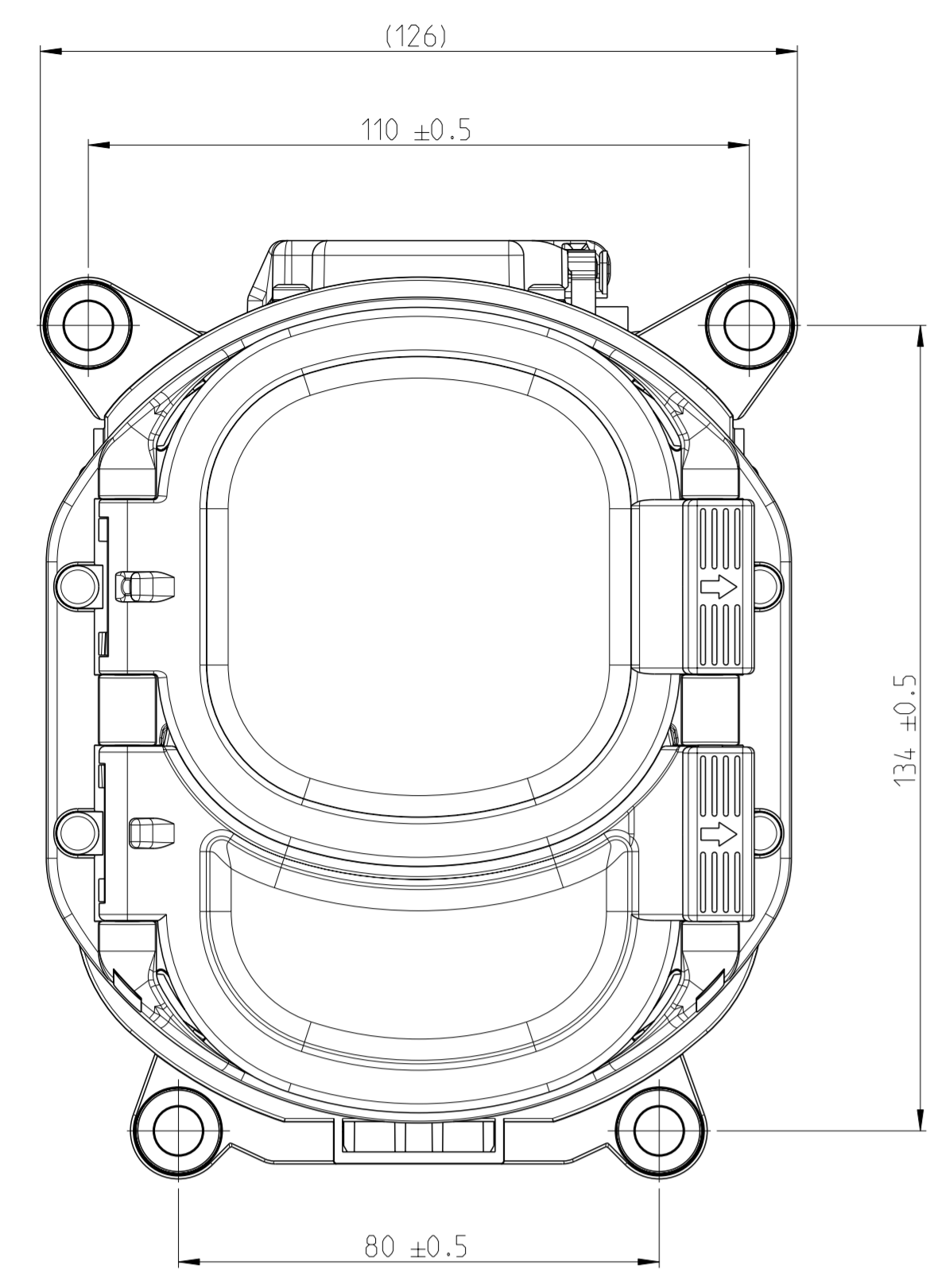
DATE: 26MAR2018
 CH: W.LITNICE
 F.W.LITNICE
 PRODUCT SPEC: IEC 62196-3

NAME: INLET HSG, COMBO2, ASSY
 SIZE: IEC 62196-3
 CASE CODE: 00779
 DRAWING NO: 114-94650

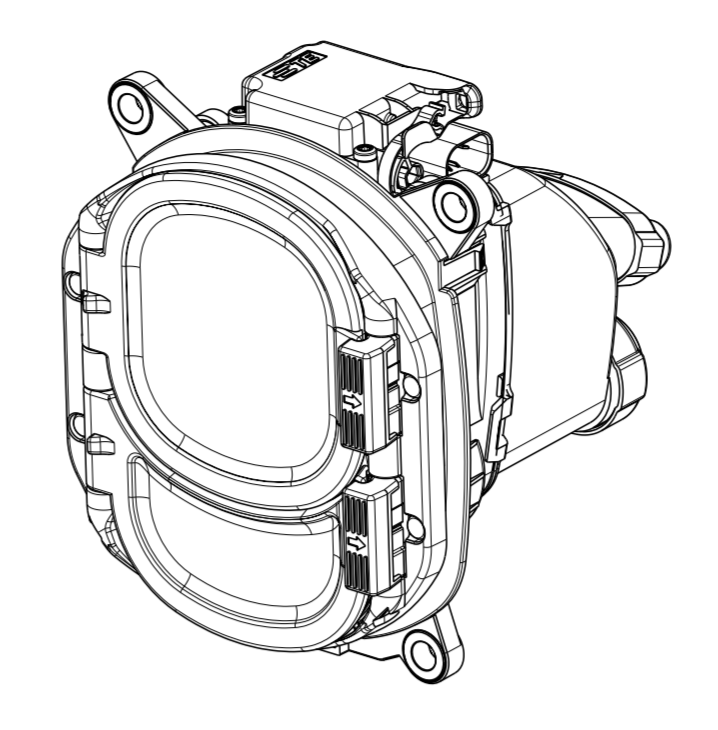
SCALE: 5:1
 SHEET: 4 of 5

STE TE Connectivity

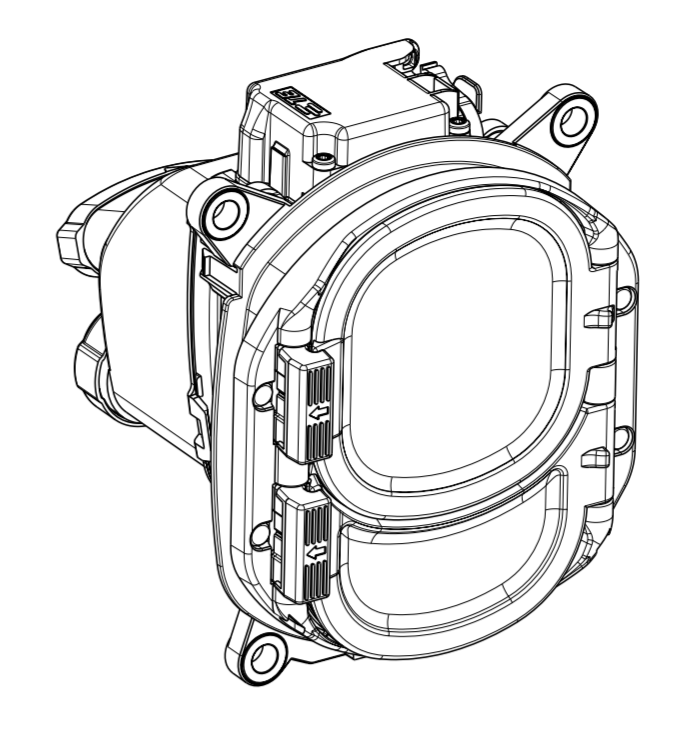
B



CHARGE INLET ASSY STRAIGHT FLAP ASSY LEFT 12

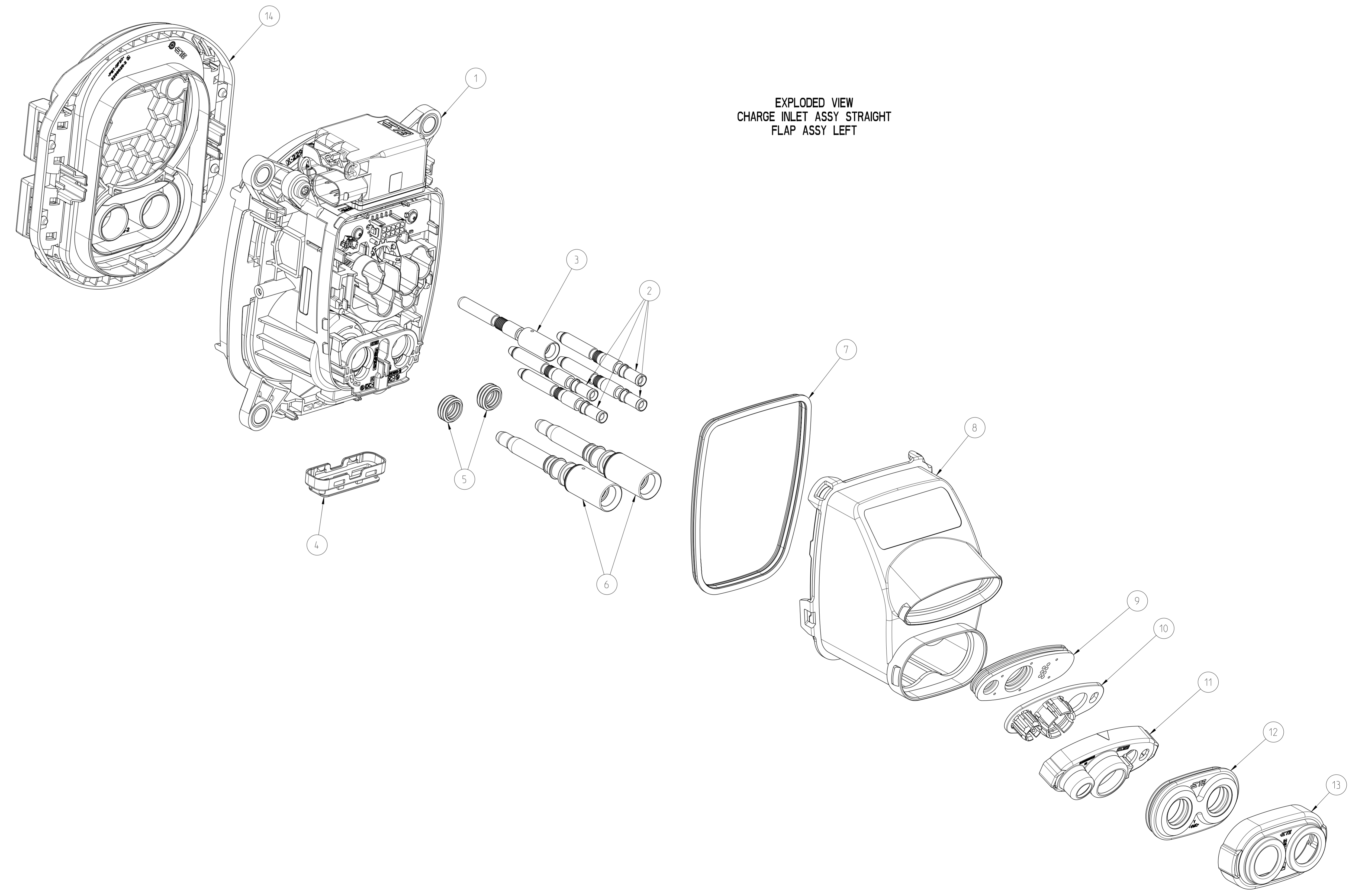
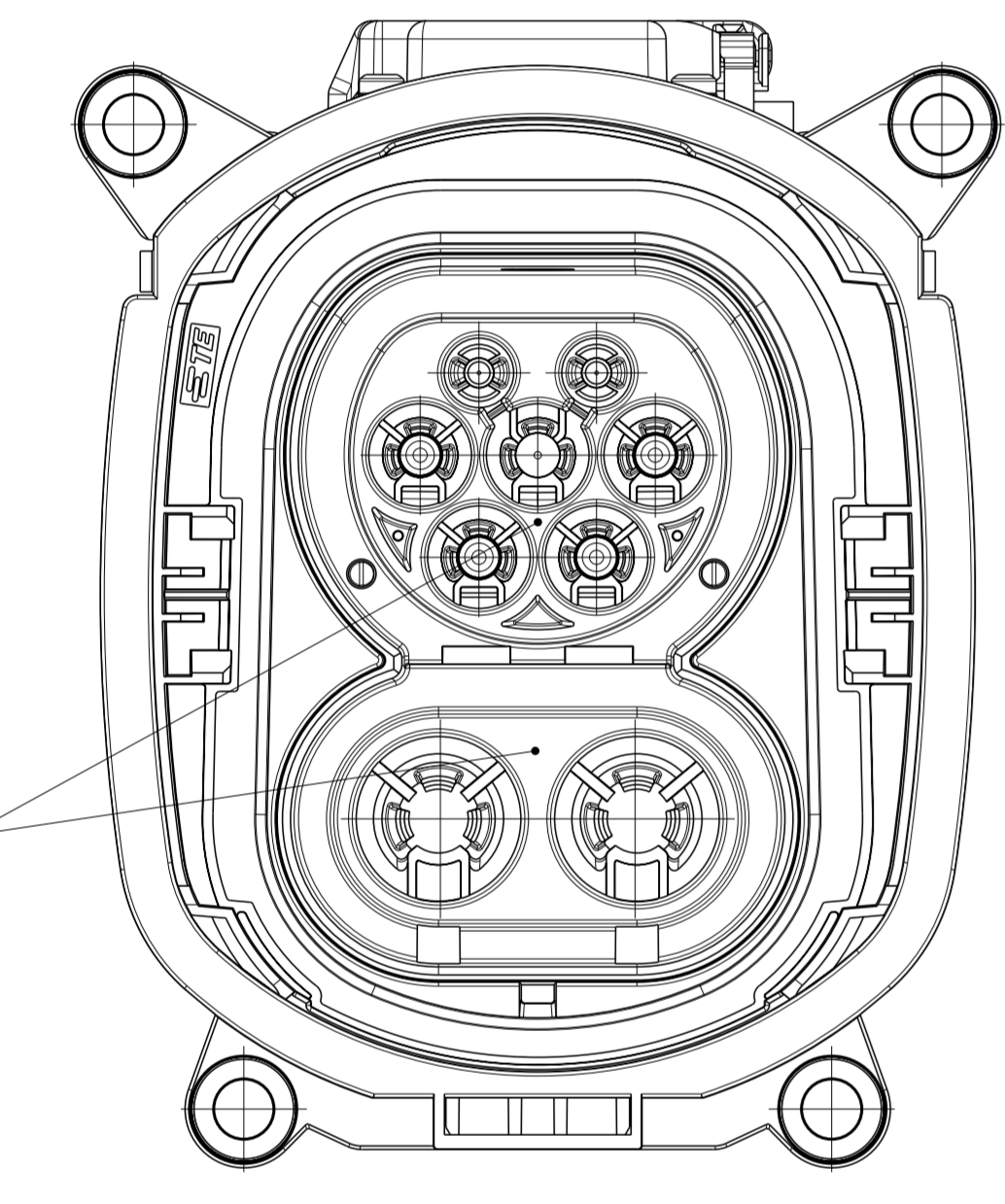


CHARGE INLET ASSY STRAIGHT FLAP ASSY RIGHT 12



- REVISIONS
- | REV | DATE | BY | APPV | DESCRIPTION |
|-----|------|----|------|-------------|
| - | - | - | - | SEE SHEET 1 |
- NOTES
- NOT FOR SALE. DESCRIBES ONLY THE BOM AND THE ASSEMBLY OF THE COMPLETE PRODUCT
 - CHARGE INLET SIMILAR TO IEC62196-3.CCS 2. SHEET 3-1Va
 - ADAPTIVE CABLES SEE APPLICATION SPECIFICATION 114-94763
 - COMPATIBLE PCB CONNECTOR: PN 1-794617-0 WITH TERMINAL PN 0-794606-1
 - FUNCTIONAL AND ELECTRICAL REQUIREMENTS OF ACTUATOR SEE SPECIFICATION 108-94519
 - COMPATIBLE CONNECTOR FOR ACTUATOR: 1-967640-1
 - APPLICABLE SCREWS FOR MOUNTING. HEAD DIAMETER MIN. 10.5mm. TORQUE 6Nm±0.9Nm FOR M6 SCREWS
 - CHECK FEEDBACK SIGNAL OF THE ACTUATOR:
FEEDBACK TIME < 10MS (AFTER REACHING FINAL POSITION)
2mA < LOCK POSITION < 4mA
15mA < UNLOCK POSITION < 19mA
8mA < PARTIAL LOCK POSITION < 12mA
BV-SUPPLY VOLTAGE < 16V
 - MAX VOLTAGE RATING 480 VAC
MAX CURRENT RATING 32 A
 - MAX VOLTAGE RATING 1000 VDC
MAX CURRENT RATING 200 A

WITH OUT FLAP ASSEMBLY



EXPLODED VIEW CHARGE INLET ASSY STRAIGHT FLAP ASSY LEFT

ITEM NO	QUANTITY	ORDER PN	REV	ADDITIONAL COMPONENTS/ ACCESSORIES DESCRIPTION	MATERIAL	SURFACE/COLOR	ITEM NO
-	1	9-2337030-2	A	FLAP ASSY.INLET COMBO RIGHT	-	BLACK	14
1	-	8-2337030-2	A	FLAP ASSY.INLET COMBO LEFT	-	BLACK	14

ITEM NO	QUANTITY	ORDER PN	REV	PART DESCRIPTION	MATERIAL	SURFACE/COLOR	ITEM NO
1	1	5-2296059-4	A	COVER, CABLE SEAL, COMBO DC	PA6-(GF10-GB20)	BLACK	13
1	1	2296058-4	A	FAMILY SEAL, COMBO DC	VMQ	RED	12
1	1	5-2296057-3	B	COVER, CABLE SEAL, AC	PA6-(GF10-GB20)	BLACK	11
1	1	1-2344703-3	A	STRAIN RELIEF, AC	PA6-(GF-GB)30	CLARET VIOLET	10
1	1	2350592-5	B	AC FAMILY SEAL	VMQ	YELLOW	9
1	1	2307523-1	A	CABLE EXIT, RECT, COMBO	PA6-(GF-GB)30	ORANGE	8
1	1	0-2320511-1	B	RADIAL SEAL	VMQ	RUST RED	7
2	2	2292542-1	A	PIN, DIAB.0 CONTACT ASSY TYP1 50mm ²	COPPER	SILVER/TIN	6
2	2	2120571-1	A	SEALING	VMQ	NATURAL	5
1	1	2292534-1	B	PROTECTION CAP.WATER DRAIN	PA6-(GF10-GB20)	BLACK	4
1	1	2293270-5	A	PIN CONTACT, DIA 6.0, PE 25mm ²	BRASS	SILVER	3
4	4	2293269-3	A	PIN, DIA 6.0, L/N, ASSY 6mm ²	BRASS	SILVER	2
1	1	9-2337016-2	B	INLET HSG, COMBO2, ASSY	-	-	1

THIS DRAWING IS A CONTROLLED DOCUMENT. DIMENSIONING AND TOLERANCING PER GPS ISO STANDARDS.

DATE: 26MAR2018
 DRAWN BY: S. Kumar
 CHECKED BY: S. Kumar
 APPROVED BY: S. Kumar
 PRODUCT SPEC: IEC62196-3

NAME: INLET HSG, COMBO2, ASSY
 PART NO: IEC62196-3
 CASE CODE: 00779
 DRAWING NO: 2337016

SCALE: 1:1
 SHEET: 5 OF 5

RESTRICTED TO: CUSTOMER DRAWING