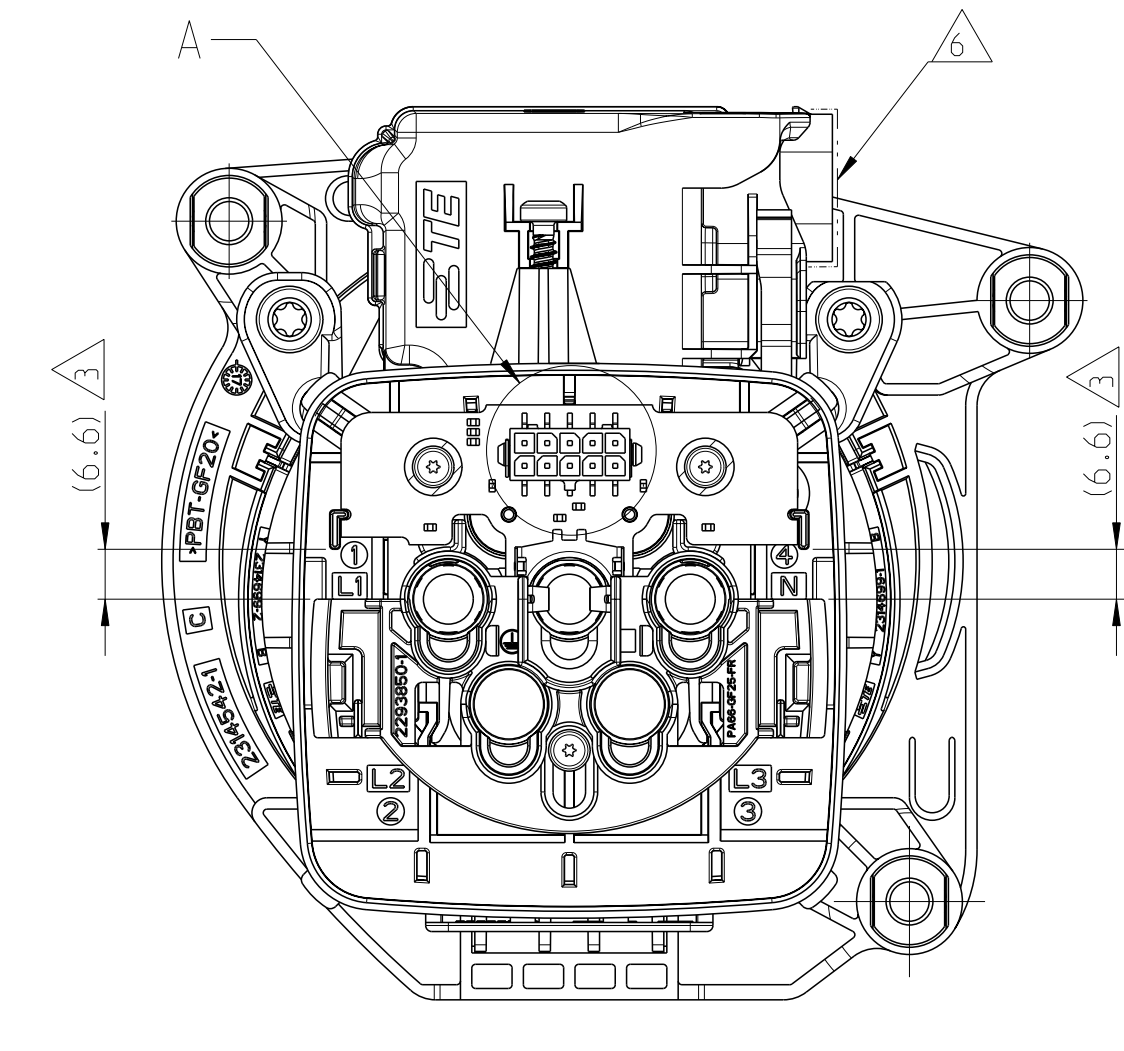
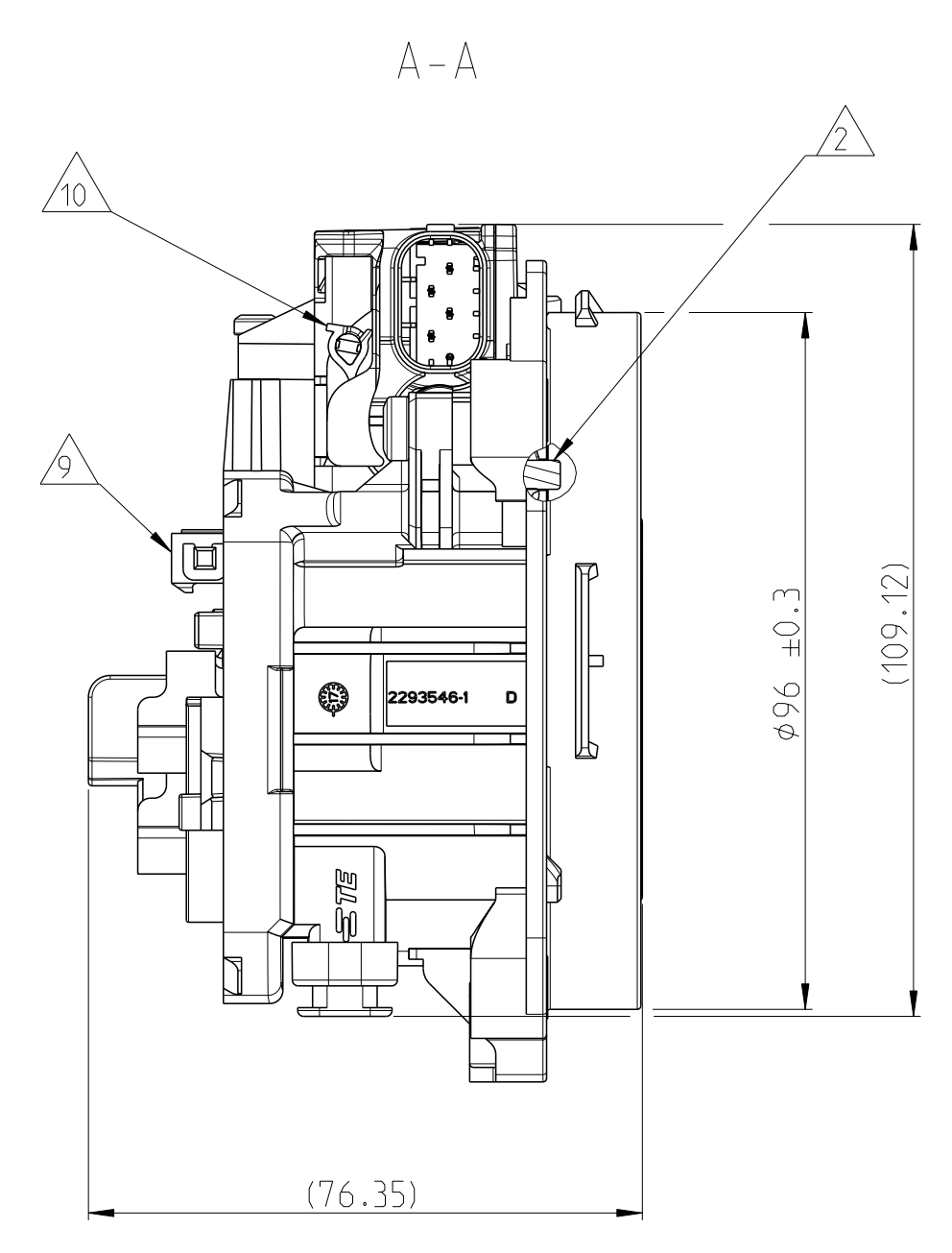
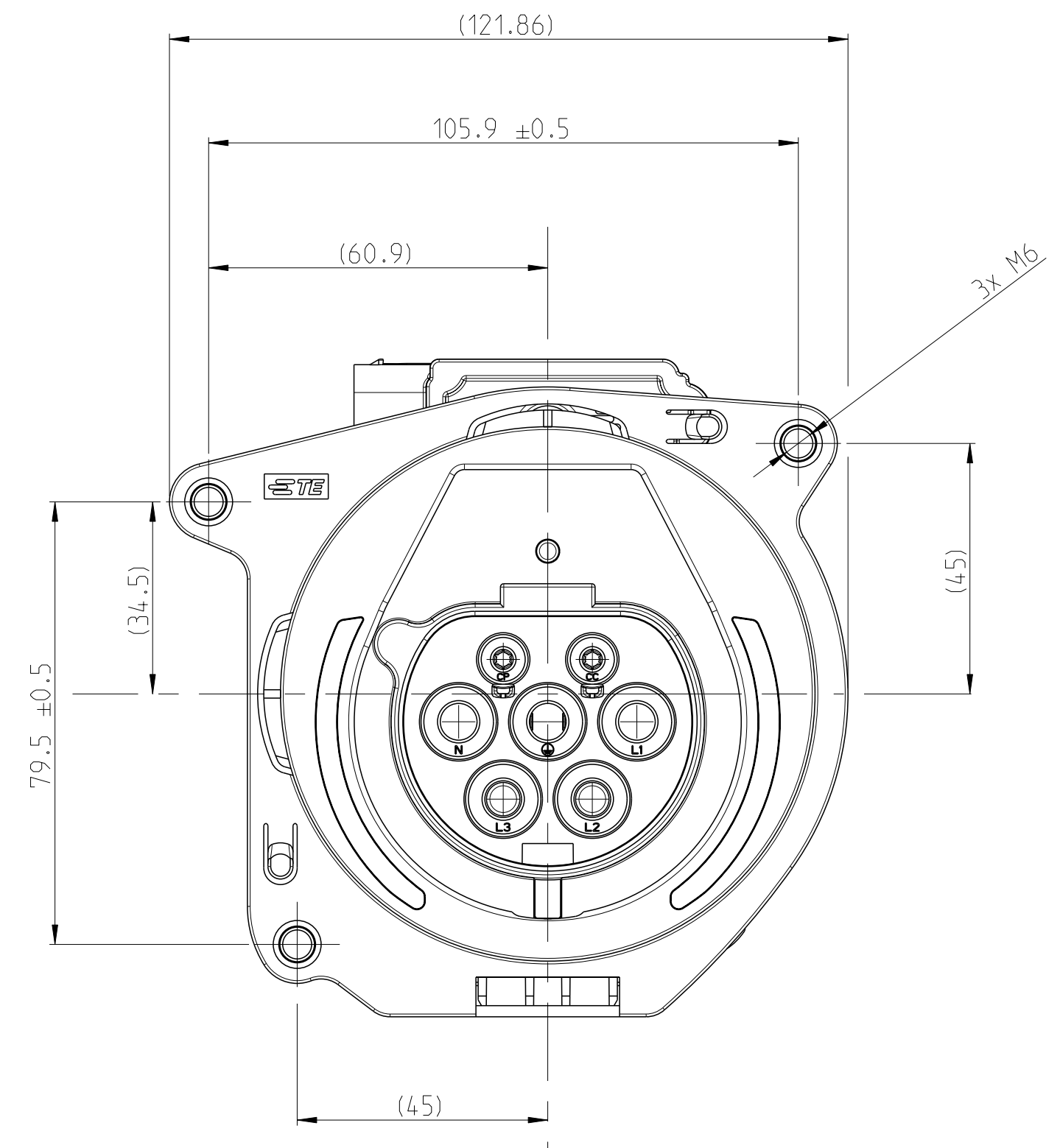
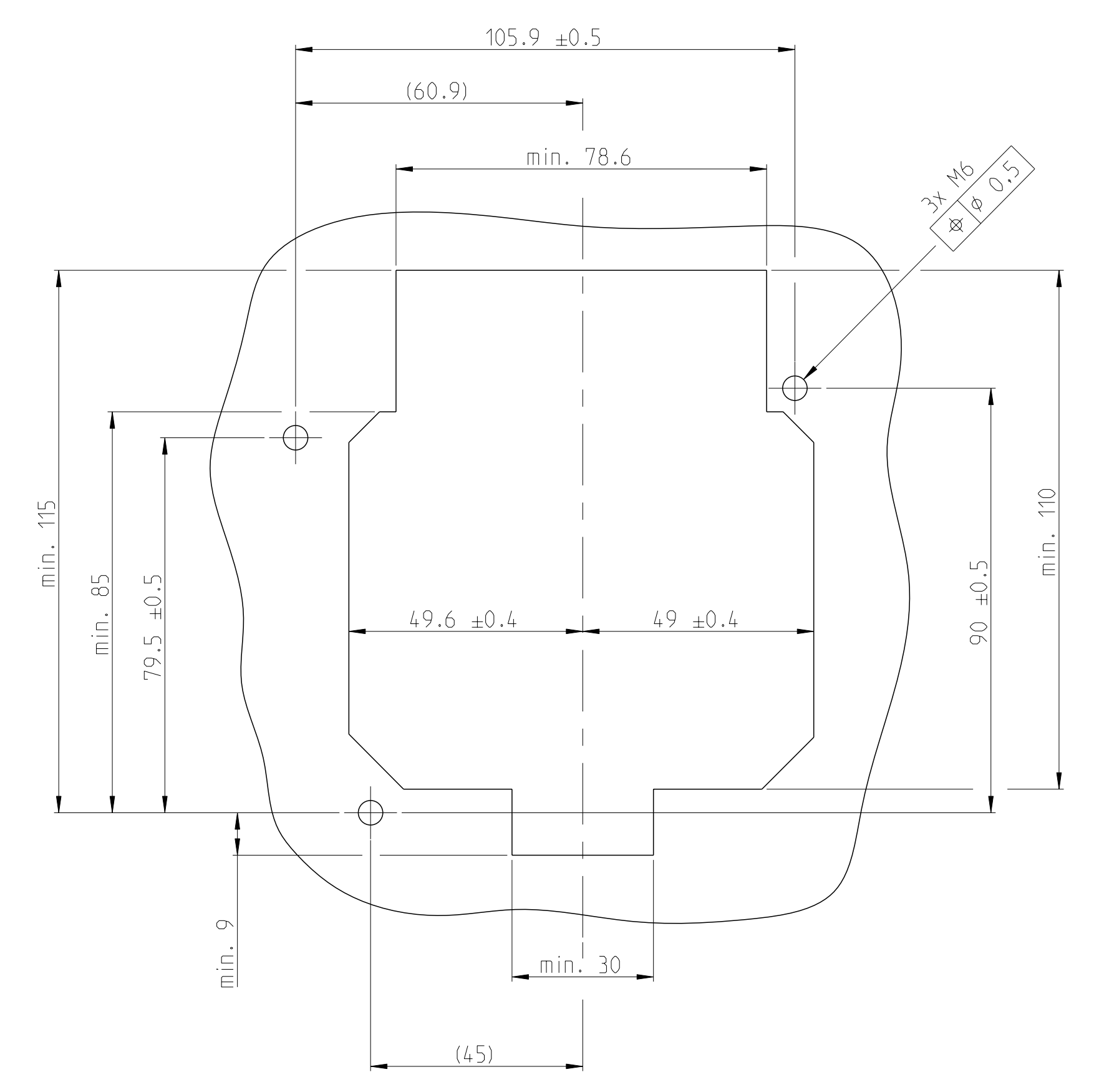


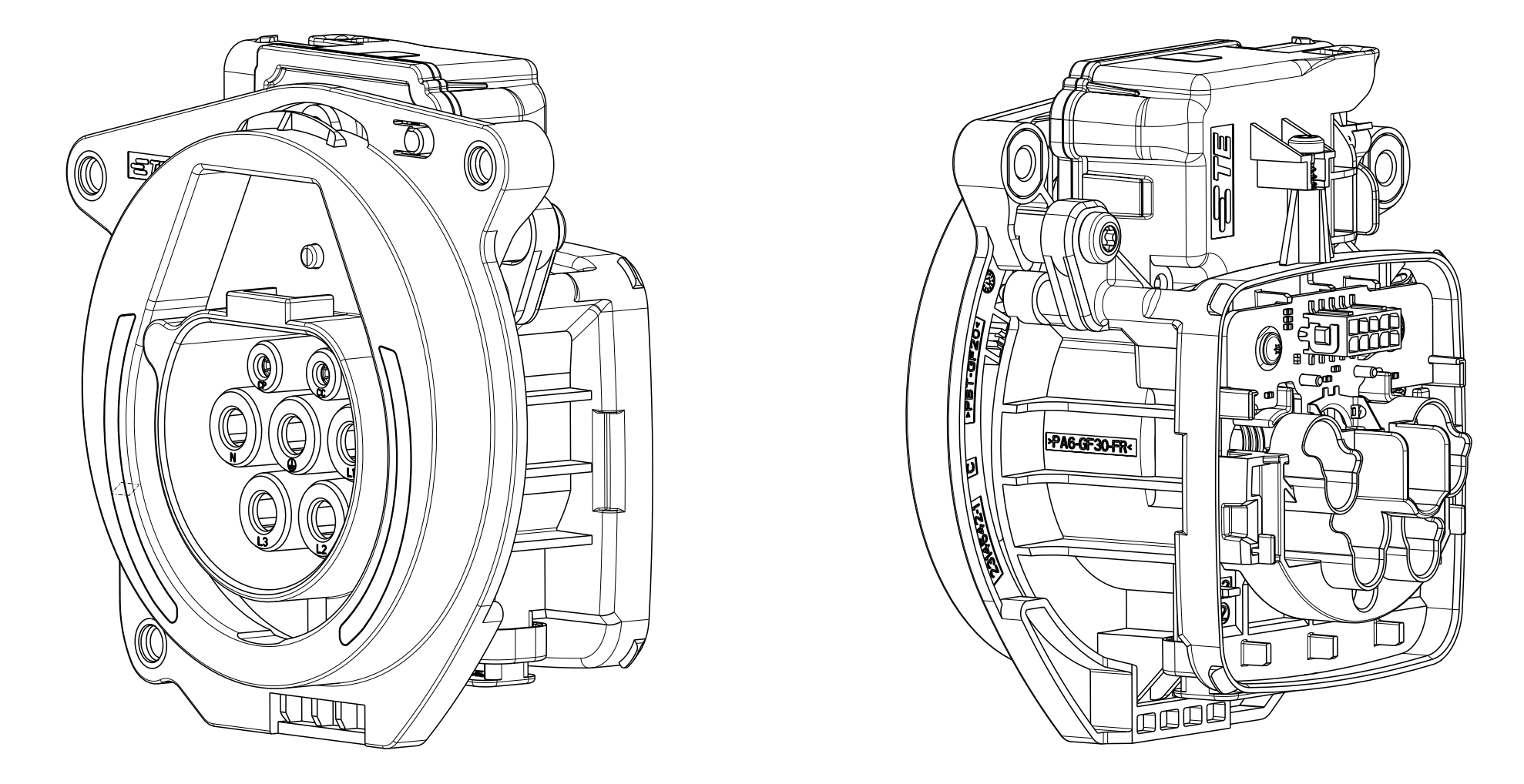
REVISIONS				
REV	DATE	BY	CHKD	APPD
A2	06APR2021	HKS	SK	
NOTES CORRECTED, BOM TABLE AND PCB TESTING				
PARAMETER TABLE REMOVED IN SHEET 1				
NOTES UPDATED IN SHEET 2				
B	20MAR2022	HKS	SK	
BOM TABLE UPDATED IN SHEET 2				

REQUIREMENT FOR MOUNTING PLATE



- NOTES
- 2 DELIVERY CONDITION OF ACTUATOR: ACTUATOR IN BASE POSITION
 - 3 DELIVERY CONDITION: SEC. LOCKS IN PRELOCK POSITION
 - 4 CHARGE INLET SIMILAR TO IEC62196-2, TYPE 1, SHEET 2-1
 - 5 ADAPTIVE CABLES SEE APPLICATION SPECIFICATION 114-94654
 - 6 COMPATIBLE CONNECTOR FOR ACTUATOR: 1-967640-1
 - 9 MAKE SURE THAT NO MECHANICAL FORCES ARE APPLIED ON HEADER ON PCB
 - 10 DELIVERY CONDITION OF MANUAL RELEASE OF ACTUATOR AS SHOWN
 - 11 FUNCTIONAL AND ELECTRICAL REQUIREMENTS OF ACTUATOR SEE SPECIFICATION 108-94519

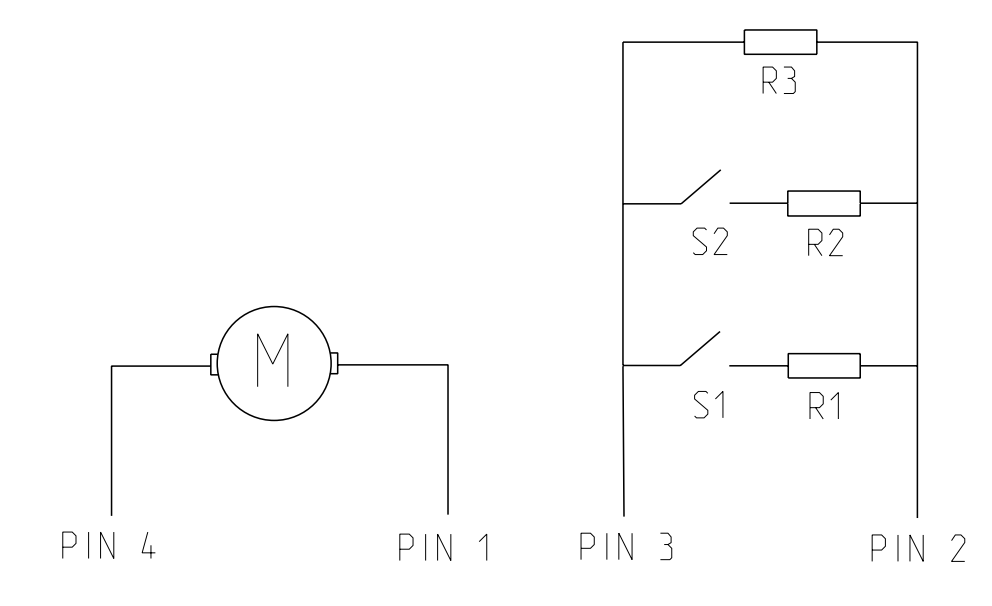
**AS SHOWN
9-2368478-1
ISOMETRIC VIEW**



ACTUATOR WIRE CONFIGURATION

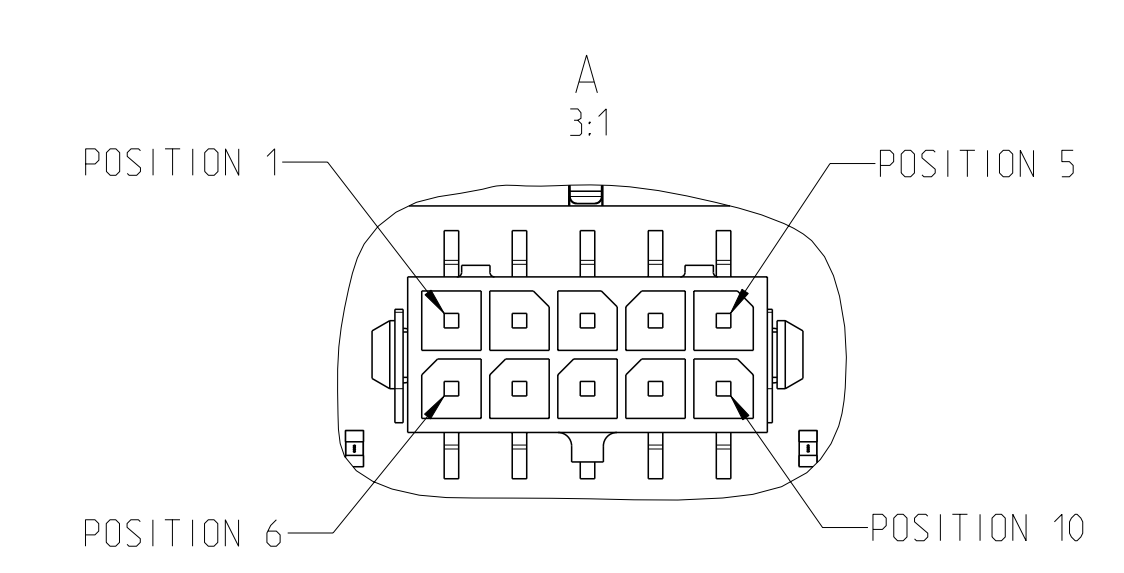
PIN 3	PIN 2	SENSE RESISTANCE	FUNCTION
-	+	11,000 kOhm ± 2%	LOCKED
-	+	2,194 kOhm ± 2%	DRIVE/FAULT
-	+	0,989 kOhm ± 2%	UNLOCKED

PIN 1	PIN 4	FUNCTION
-	+	UNLOCKING
+	-	LOCKING



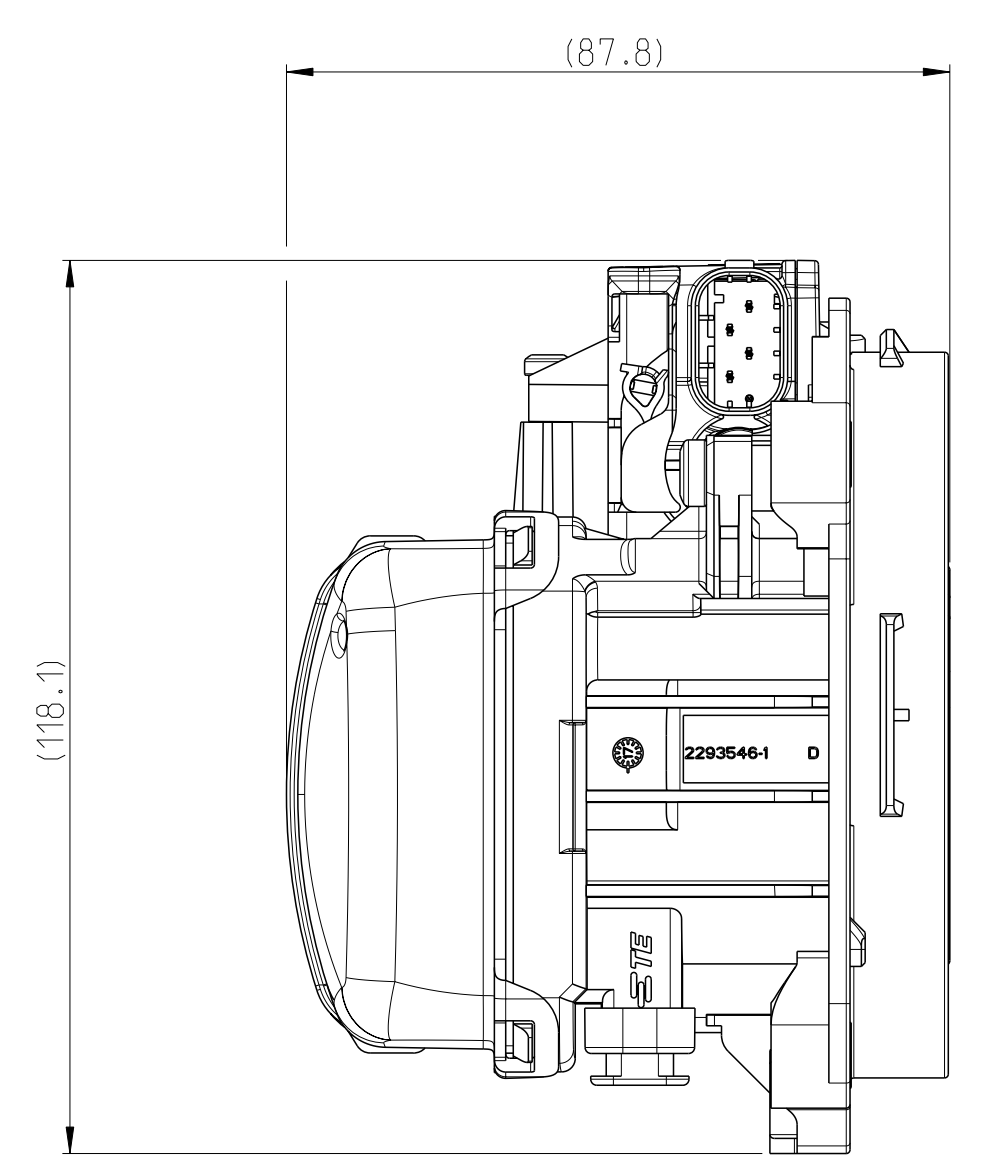
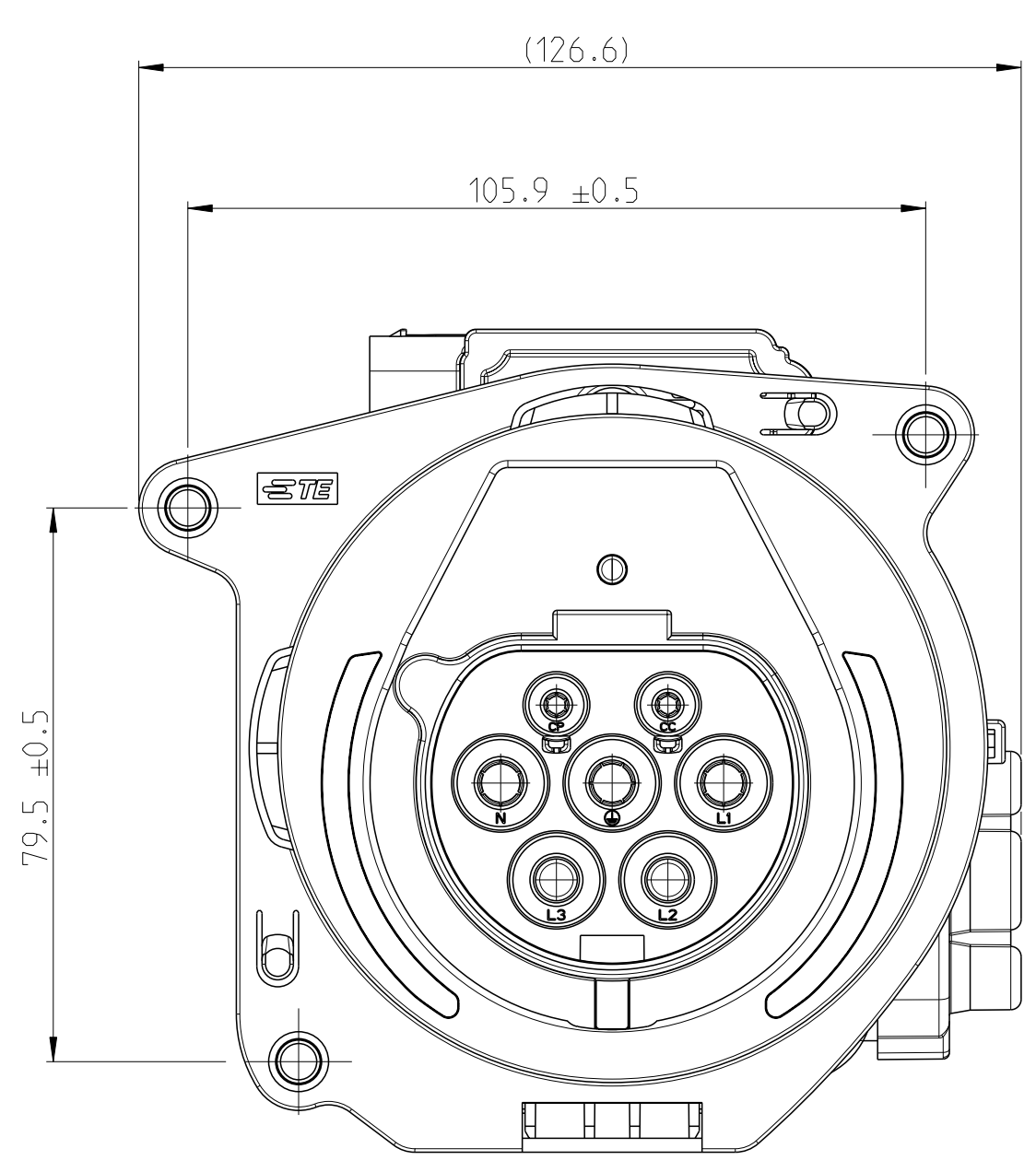
PINNING PCB

SIGNAL NAME	DESCRIPTION	10 WAY HEADER POSITION
GREEN_DRV	GREEN LED CURRENT DRIVING CHANNEL	1
BLUE_DRV	BLUE LED CURRENT DRIVING CHANNEL	2
RED_DRV	RED LED CURRENT DRIVING CHANNEL	3
GND	MAIN GROUND	4
T_AC2	TEMPERATURE SENSOR FOR AC PIN	5
T_AC1	TEMPERATURE SENSOR FOR AC PIN	6
OPTIONAL	MAY BE USED FOR ADDITIONAL FUNCTION	7
CP	CONTACT PILOT	8
T_GND	TEMPERATURE ANALOG GROUND	9
PROXI	PROXIMITY PIN CONNECTION	10



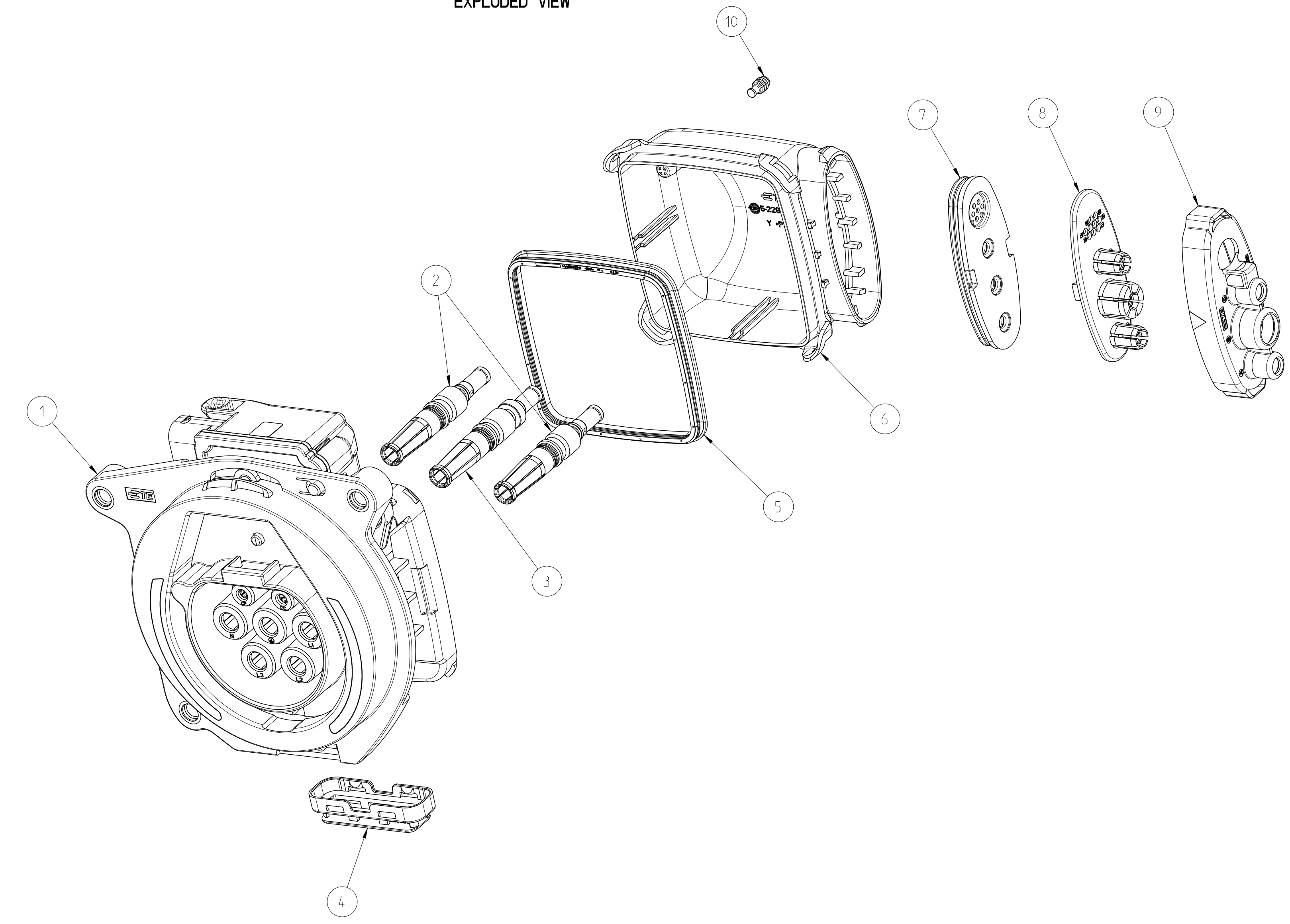
THIS DRAWING IS A CONTROLLED DOCUMENT. DIMENSIONING AND TOLERANCING PER GPS (ISO STANDARDS)		REV: 1	DATE: 10MAY2020	BY: H. Csizsar	CHKD: S. Kumar	APPD: S. Kumar	DATE: 10MAY2020	NAME: INLET HSG. AC TYPE GB. ASSY
STANDARD: ISO 2768-MK		SCALE: 1:1	SIZE: A0	PROJECT: 108-94781	APPLICATION SPEC: 114-94654	WEIGHT: -	CUSTOMER DRAWING: -	REVISION: 1
MATERIAL: SEE TABLE		SCALE: 1:1		SHEET: 1 of 2		REV: B		RESTRICTED TO: -

REVISIONS			
REV	DATE	BY	APPD
-	SEE SHEET 1	-	-

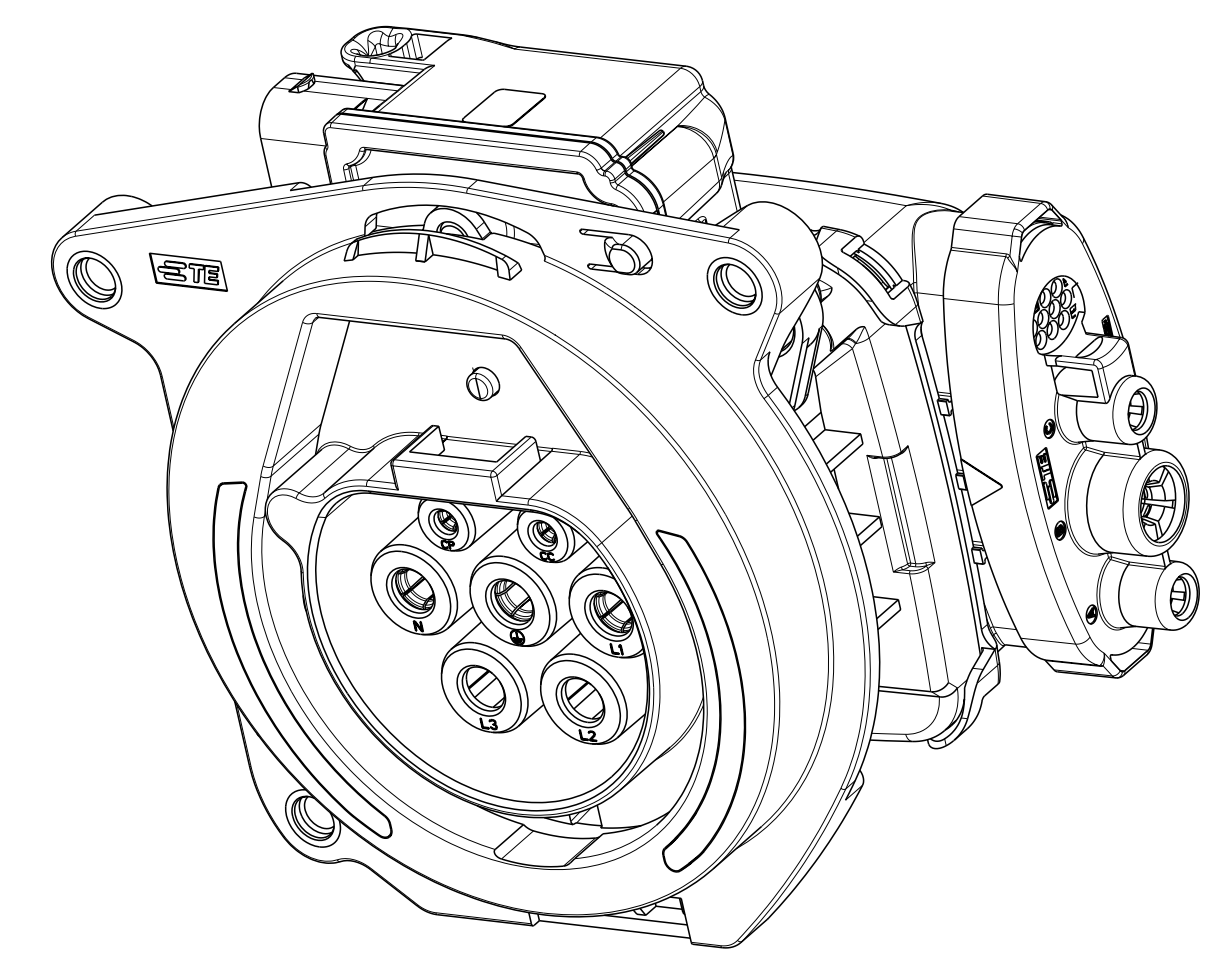


- NOTES
- NOT FOR SALE. DESCRIBES ONLY THE BOM AND THE ASSEMBLY OF THE COMPLETE PRODUCT
 - CHARGE INLET SIMILAR TO GB/T 20234.2
 - ADAPTIVE CABLES SEE APPLICATION SPECIFICATION 114-94654
 - COMPATIBLE PCB CONNECTOR: PN 1-794617-0 WITH TERMINAL PN 0-794606-1
 - FUNCTIONAL AND ELECTRICAL REQUIREMENTS OF ACTUATOR SEE SPECIFICATION 108-94519
 - COMPATIBLE CONNECTOR FOR ACTUATOR: 1-967640-1
 - APPLICABLE SCREWS FOR MOUNTING: HEAD DIAMETER MIN. 10.5mm. TORQUE 6Nm±0.9Nm FOR M6 SCREWS
 - CHECK FEEDBACK SIGNAL OF THE ACTUATOR:
 FEEDBACK TIME < 10MS (AFTER REACHING FINAL POSITION)
 2mA < LOCK POSITION < 4mA
 15mA < UNLOCK POSITION < 19mA
 8mA < PARTIAL LOCK POSITION < 12mA
 8V SUPPLY VOLTAGE < 16V
 - MAX VOLTAGE RATING 250 VAC
 MAX CURRENT RATING 32 A

EXPLODED VIEW



ISOMETRIC VIEW



QTY	WIRE SIZE	ORDER PN	REV	PART DESCRIPTION	MATERIAL	SURFACE/COLOR	ITEM NO
1		963143-1	E	CAVITY PLUG FOR CAVITY	VMQ	WHITE	10
1		5-2316424-1	C	COVER, CABLE SEAL, AC	PA6-GF10-GB20	BLACK	9
1		2316423-1	E	STRAIN RELIEF, AC	PA6-(GF+GB)30	NATURAL	8
1		2316422-1	C	FAMILY SEAL, AC	SILICON RUBBER	NATURAL	7
1		5-2296063-2	D	CABLE EXIT, RECT 90DEG	PA6-GF10-GB20	BLACK	6
1		0-2320214-1	B	PERIPHERAL SEAL, 63.63, CHARGE INLET, AC	VMQ	LIGHT BLUE	5
1		2292534-1	B	PROTECTION CAP CHARGE INLETS	PA6-GF10-GB20	BLACK	4
1		2293272-3	A	PE SOCKET CONTACT, DIA. 6.0	BRASS	SILVER	3
2		2293271-3	A	SOCKET CONTACT, DIA. 6.0	BRASS	SILVER	2
1		9-2368478-1	B	HSG, INLET GB, AC, ASSY	-	-	1

THIS DRAWING IS A CONTROLLED DOCUMENT. DIMENSIONING AND TOLERANCING PER GPS ISO STANDARDS.

DATE: 10MAY2020
 DRAWN BY: S. Kumar
 CHECKED BY: S. Kumar
 APPROVED BY: S. Kumar

ISO 2768-MK

NAME: INLET HSG, AC TYPE GB, ASSY
 GB/T 20234.2

SCALE: 1:1 SHEET 2 OF 2

STE TE Connectivity