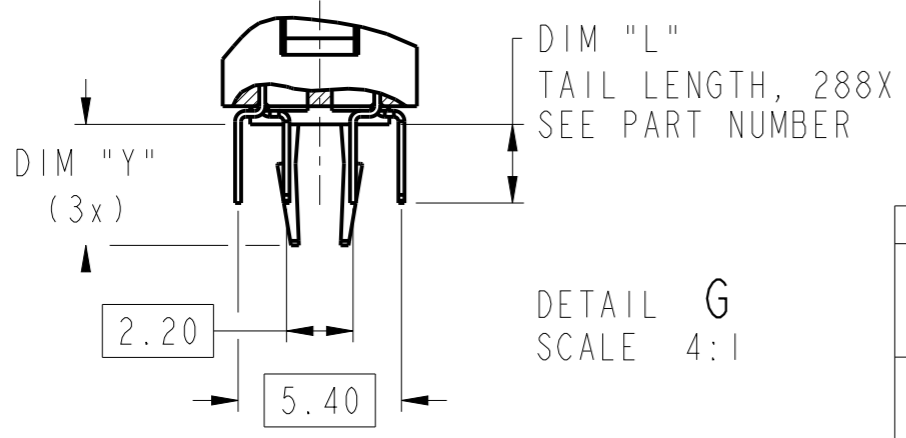
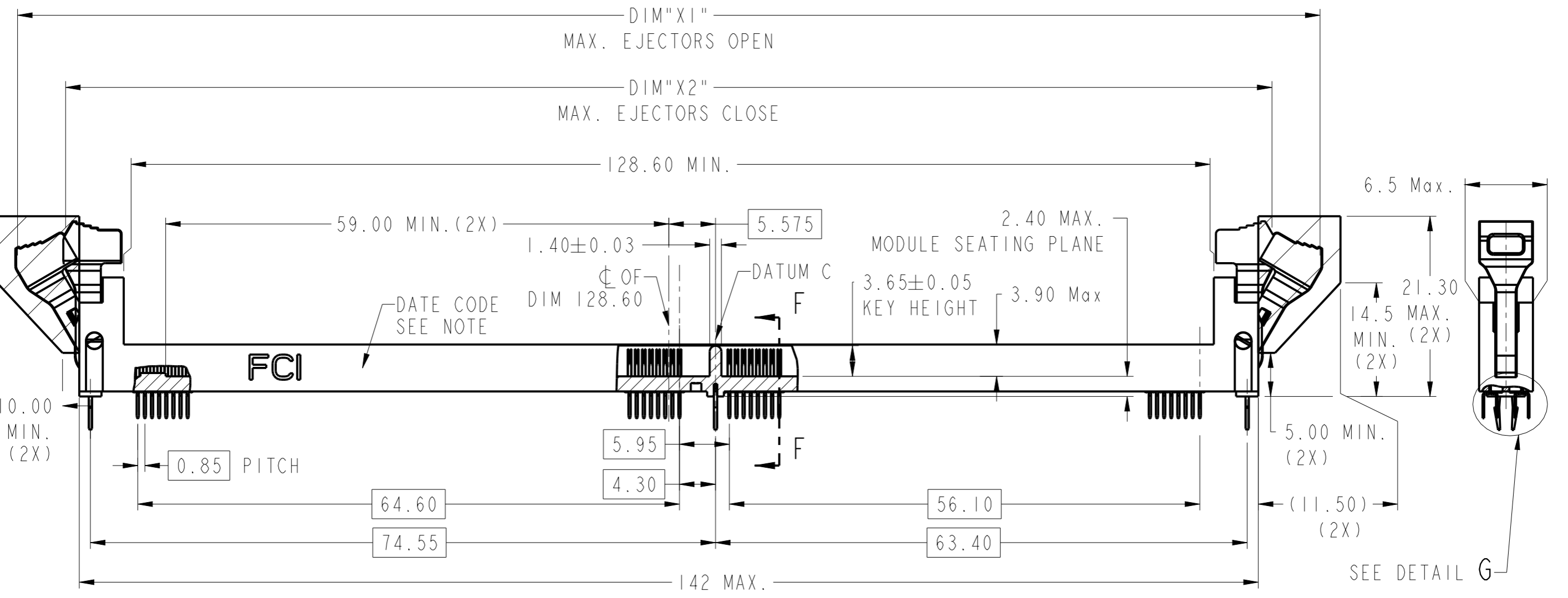
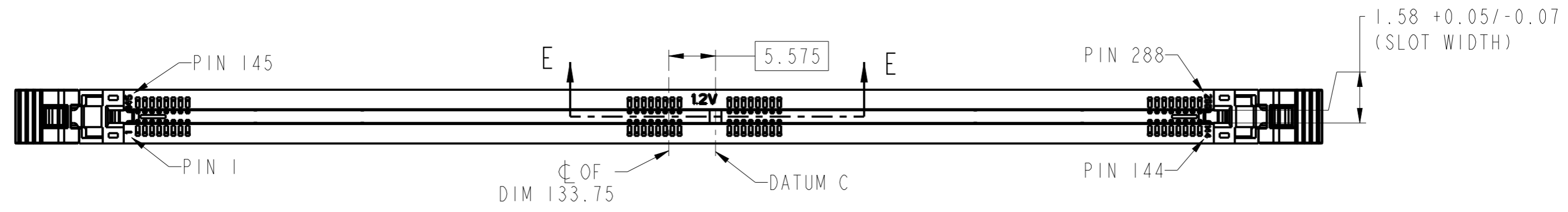


Amphenol
FCi

© 2016 AFCI



spec ref				dr	Jeny Ren	2017/09/06	projection	MM	size	A3	scale	7:5
tolerance std	TOLERANCES UNLESS OTHERWISE SPECIFIED			eng	Winston Zhu	2020/05/04			ecn no	ELX-DG-36885-1		
surface	linear	0.X	±0.30	chr	-	-			rel level	Released		
ASME Y14.5	angular	0°	±2°	appr	Nickor Zuo	2020/05/04	product family	-	rel level	Released		

Amphenol FCi		DDR4 288Pin DIMM CONNECTOR		dwg no		10145226		rev		E	
PTH TERMINATION		cat. no.		-		Product - Customer Drw		sheet 1 of 5			

DDR4 MODULE
 MORE INFORMATION REFER TO JEDEC MO-309

A

B

C

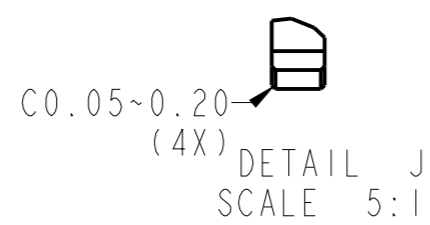
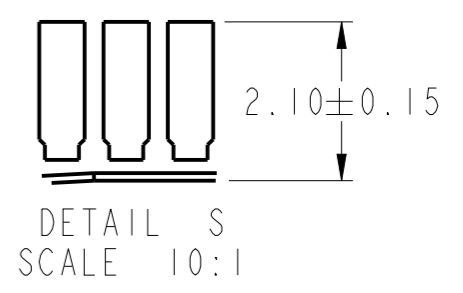
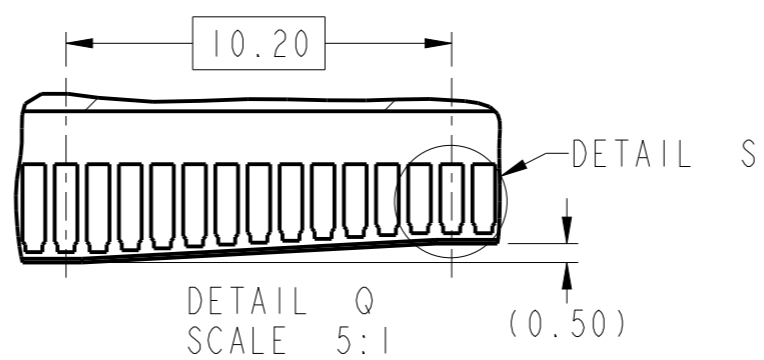
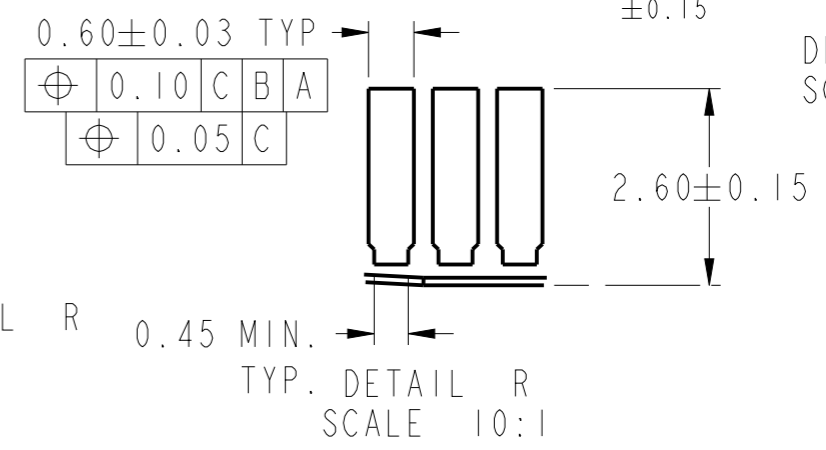
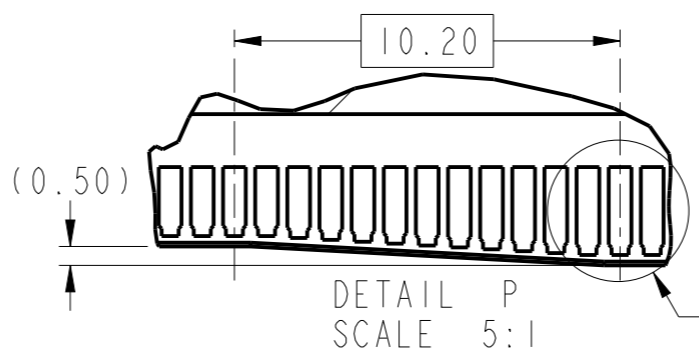
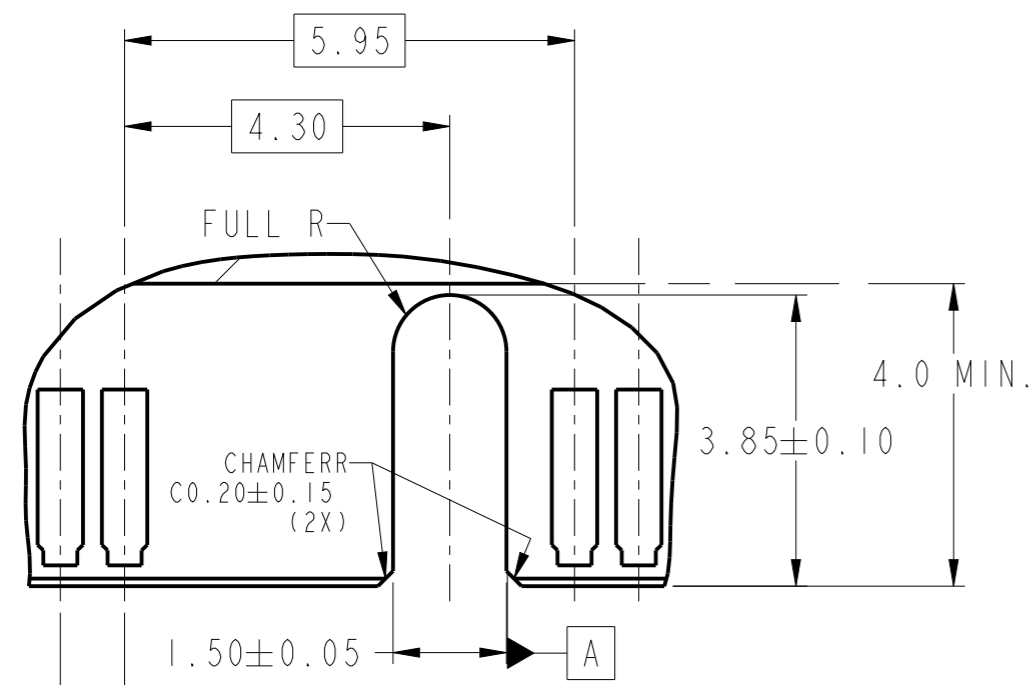
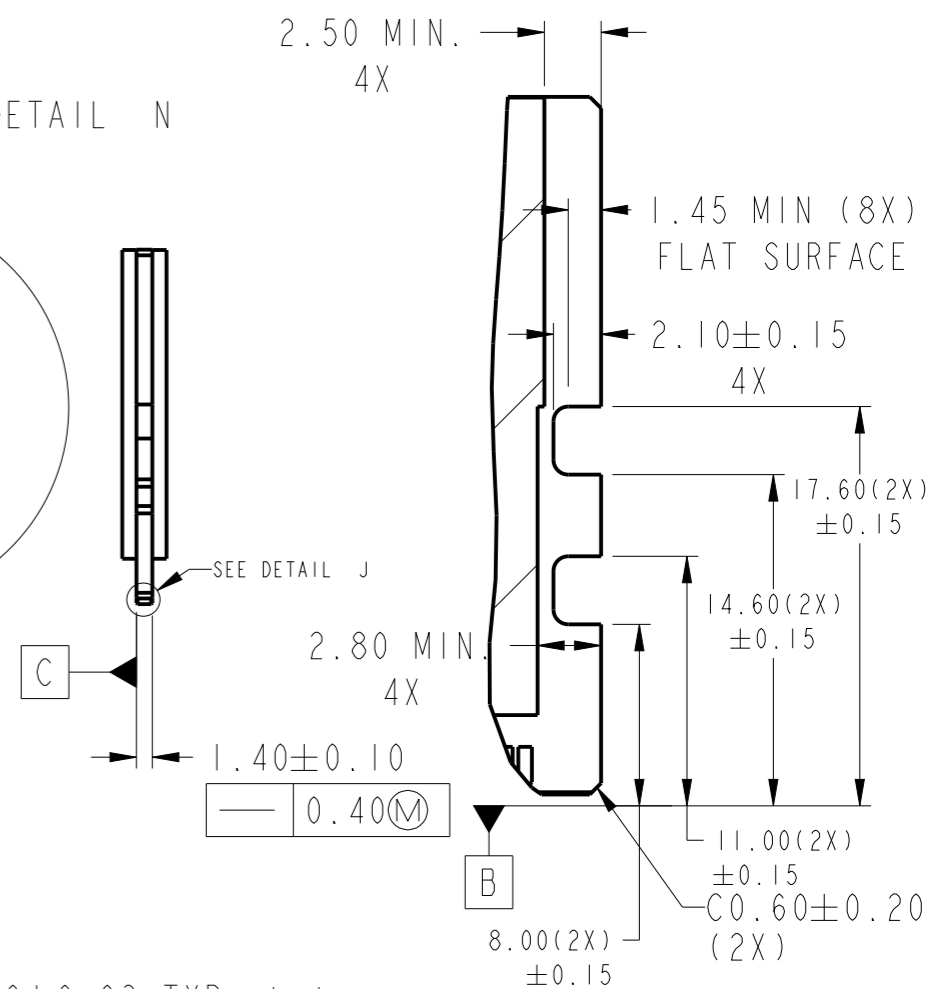
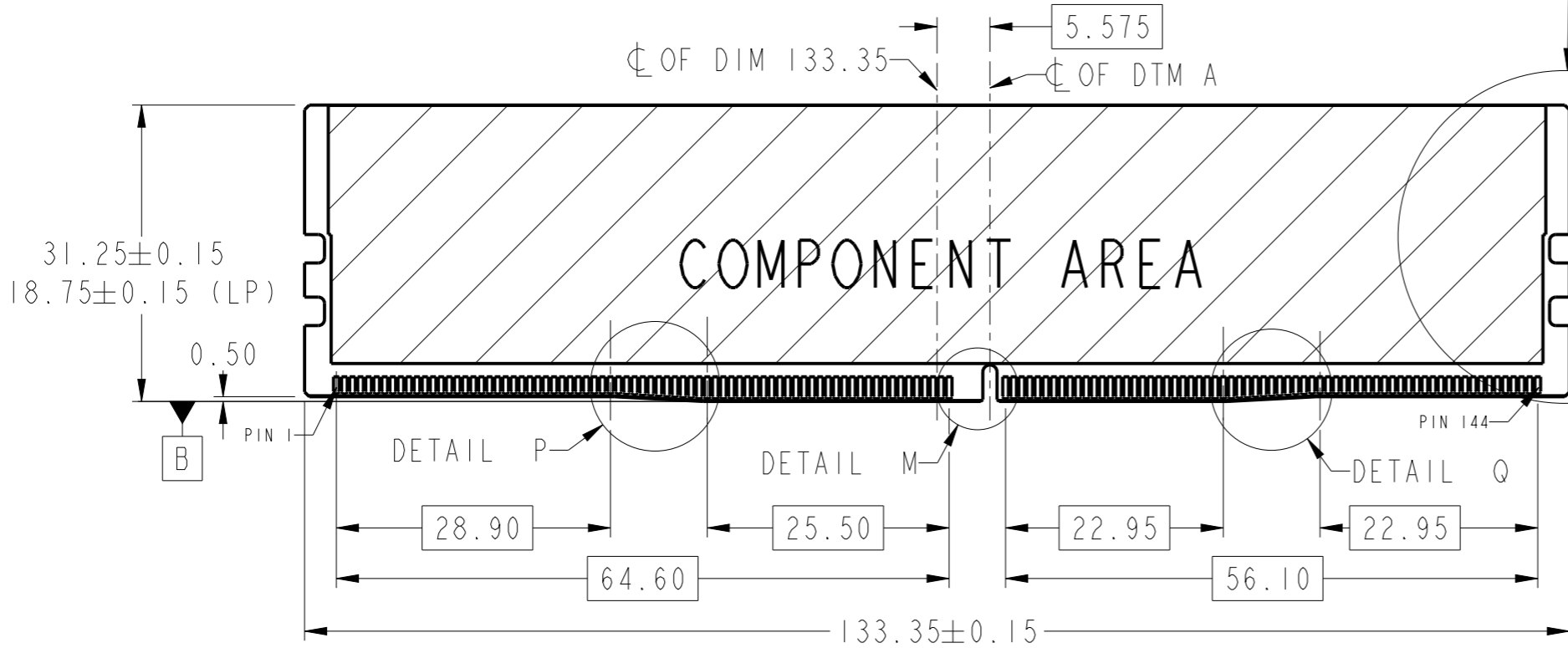
D

A

B

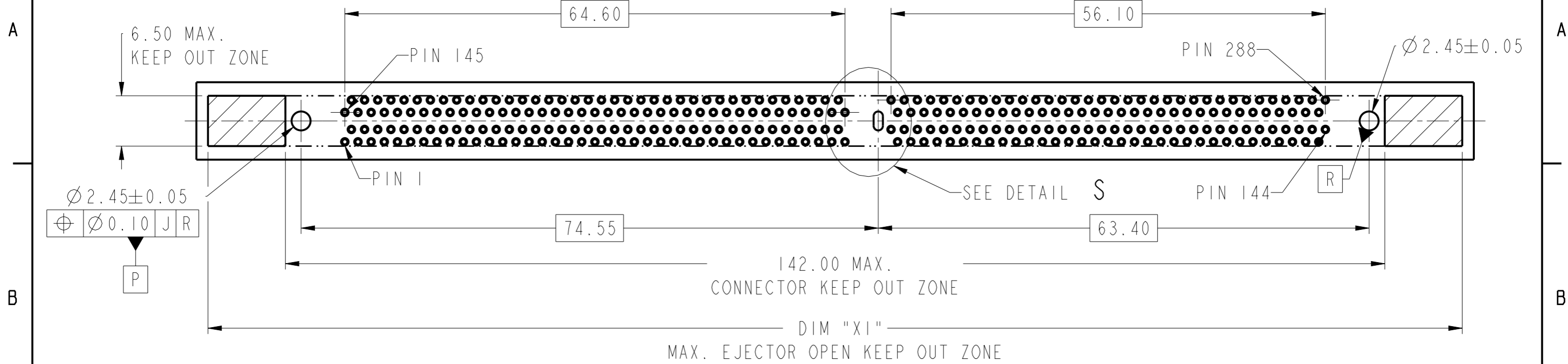
C

D



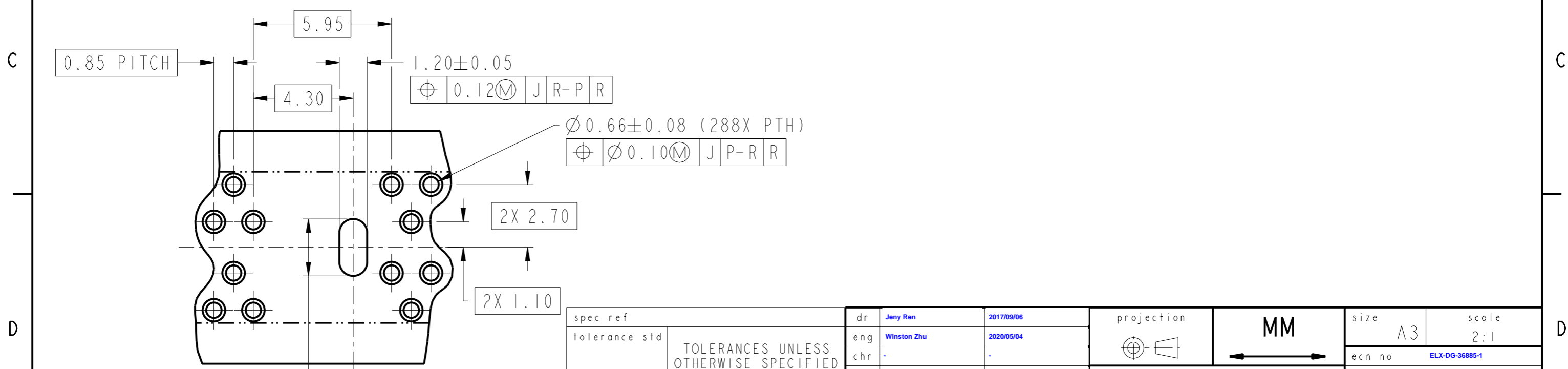
spec ref	dr	Jeny Ren	2017/09/06	projection	MM	size	A3	scale	3:2		
tolerance std	eng	Winston Zhu	2020/05/04			ecn no	ELX-DG-36885-1				
TOLERANCES UNLESS OTHERWISE SPECIFIED		chr	-			product family	-	rel level	Released		
surface	linear	0.X	±0.30			DDR4 288Pin DIMM CONNECTOR PTH TERMINATION		dwg no	10145226	rev	E
		0.XX	±0.20			cat. no.	-	Product - Customer Drw	sheet 2 of 5		
ASME Y14.5	angular	0°	±2°								

RECOMMENDED PCB LAYOUT
 MORE INFORMATION REFER TO JEDEC SO-016



Amphenol
 FCI

© 2016 AFCI



DETAIL S
 SCALE 6:1

spec ref	dr	Jeny Ren	2017/09/06	projection	MM	size	A3	scale	2:1
tolerance std	eng	Winston Zhu	2020/05/04			ecn no	ELX-DG-36885-1		
TOLERANCES UNLESS OTHERWISE SPECIFIED		chr	-			rel level	Released		
surface	appr	Nickor Zuo	2020/05/04	product family	-	Amphenol FCI		DDR4 288Pin DIMM CONNECTOR	10145226
ASME Y14.5	linear	0.X	±0.30	cat. no.	-	Product - Customer Drw	sheet 3 of 5	rev	E
	angular	0°	±2°						

PRODUCT PART NUMBER

10145226-□□□□□□□□

ADDITIONAL REQUIREMENTS

0: ERGONOMICS TYPE

HOLD DOWNS CONFIGURATIONS

0: 3 FORKLOCKS, DIM "Y" = 4.00 ± 0.25
 1: 3 FORKLOCKS, DIM "Y" = 2.50 ± 0.25
 2: 3 FORKLOCKS, DIM "Y" = 3.78 ± 0.25


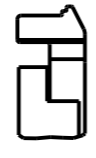
DIM "L", TAIL LENGTH

0: 2.60 ± 0.25
 1: 3.20 ± 0.25
 3: 2.40 ± 0.25
 4: 2.10 ± 0.25
 5: 2.95 ± 0.25
 6: 2.80 ± 0.25

HOUSING COLOR

0: NATURAL
 1: BLACK
 2: BLUE

EJECTOR TYPE

CODE	COLOR	DIM "X1"	DIM "X2"	LATCH FIGURE
N	NATURAL	158.00	146.00	
P	BLACK			
Q	GREEN			
J	NATURAL			
K	BLACK	152.00	142.00	
3	NATURAL			
4	BLACK			
5	GREEN			

CONTACT AREA PLATING

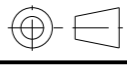

CODE	CONTACT AREA	UNDERPLATING
11LF	15u" MIN. GOLD	50u" MIN. NICKEL
13LF	30u" MIN. GOLD	

NOTES:

- MATERIALS:
 HOUSING: HIGH PERFORMANCE RESINS, GLASS FIBER FILLED, UL94 V-0 RATED.
 EJECTOR: HIGH PERFORMANCE RESINS, GLASS FIBER FILLED, UL94 V-0 RATED.
 TERMINAL: COPPER ALLOY
 FORKLOCK: COPPER ALLOY
- DATE CODE "MMDDYYL", MMDDYY IS ASSEMBLY DATE, L IS FCI PRODUCTION LINE.
- SPECIFICATION:
 PRODUCTION SPECIFICATION: FCI GS-12-1092.
 PACKAGE SPECIFICATION: FCI GS-14-2267.
 APPLICATION SPECIFICATION: FCI GS-20-0353.
- LEAD FREE PRODUCT MEETS EUROPEAN UNION DIRECTIVES AND OTHER COUNTRY REGULATIONS AS DESCRIBED IN FCI GS-22-008.
- THIS PRODUCT WILL WITHSTAND EXPOSURE TO 260°C PEAK TEMPERATURE FOR 10 SECONDS IN WAVE SOLDERING APPLICATION.

Amphenol FCI

© 2016 AFCI

spec ref		dr	Jeny Ren	2017/09/06	projection	MM	size	A3	scale	4:1
tolerance std		eng	Winston Zhu	2020/05/04			ecn no		ELX-DG-36885-1	
TOLERANCES UNLESS OTHERWISE SPECIFIED		chr	-	-			rel level		Released	
surface	linear	0.X	±0.30		product family	Product - Customer Drw	cat. no.	Product - Customer Drw	sheet 4 of 5	rev
		0.XX	±0.20							
ASME Y14.5	angular	0°	±2°		Amphenol FCI	DDR4 288Pin DIMM CONNECTOR	10145226	E		

PRODUCT PART NUMBER

10145226-□□□□□□□□

ADDITIONAL REQUIREMENTS

1: SPECIAL HIGH TEMPERATURE RESIN

HOLD DOWNS CONFIGURATIONS

0: 3 FORKLOCKS, DIM "Y"=4.00±0.25
 1: 3 FORKLOCKS, DIM "Y"=2.50±0.25
 2: 3 FORKLOCKS, DIM "Y"=3.78±0.25

DIM "L", TAIL LENGTH

0: 2.60±0.25
 1: 3.20±0.25
 3: 2.40±0.25
 4: 2.10±0.25
 5: 2.95±0.25
 6: 2.80±0.25

HOUSING COLOR

0: NATURAL
 1: BLACK
 2: BLUE

EJECTOR TYPE

CODE	COLOR	DIM"X1"	DIM"X2"	LATCH FIGURE
N	NATURAL	158.00	146.00	
P	BLACK			
Q	GREEN	152.00	142.00	
3	NATURAL			
4	BLACK			
5	GREEN			

CONTACT AREA PLATING

CODE	CONTACT AREA	UNDERPLATING
11LF	15u" MIN.GOLD	50u" MIN.NICKEL
13LF	30u" MIN.GOLD	

Amphenol FCI

© 2016 AFCI

spec ref	dr	Jeny Ren	2017/09/06	projection	MM	size	A3	scale	4:1
tolerance std	eng	Winston Zhu	2020/05/04		←→	ecn no	ELX-DG-36885-1		
TOLERANCES UNLESS OTHERWISE SPECIFIED						product family	-	rel level	Released
surface	linear	0.X	±0.30	Amphenol FCI		DDR4 288Pin DIMM CONNECTOR		dwg no 10145226	
		0.XX	±0.20						
ASME Y14.5	angular	0°	±2°			PTH TERMINATION		rev	E